



The full Product Manual is available on line at www.parker.com/eme/ac30 on the product support tab

AC30 series Variable Speed Drive Safety & Quickstart



AC30 Sicherheits- und Schnellstartanleitung
Manuel de sécurité et de démarrage rapide de l'AC30
Opuscolo di sicurezza e guida rapida AC30
Przemiennik częstotliwości serii AC30
Broszura dot. bezpieczeństwa i szybkiego uruchamiania
Folleto sobre seguridad e inicio rápido de la unidad AC30
AC30 Säkerhets- och snabbstartsbroschyr

- Please read this Safety Information BEFORE installing the equipment.
- Bitte lesen Sie die folgenden Informationen, BEVOR Sie mit der Installation des Geräts beginnen.
- Veuillez lire cette information sur la sécurité Avant d'installer l'équipement
- Prosimy o zapoznanie się z poniższymi informacjami PRZED montażem urządzenia.
- Si prega di leggere attentamente le informazioni sulla sicurezza PRIMA di installare l'apparecchiatura
- Läs den här säkerhetsinformationen INNAN du installerar utrustningen.



Stegmaier-Haupt GmbH
Industrieelektronik - Servoantriebstechnik
Untere Röte 5
69231 Rauenberg
Tel.: 06222-61021
Fax: 06222-64988
Email: info@stegmaier-haupt.de
Http: // www.stegmaier-haupt.de

ENGINEERING YOUR SUCCESS.

AC30 series Variable Speed Drive Safety & Quickstart Booklet

HA501717U101 Issue 7 2018-03

Contents:

Chapter 1 English.....	1-1
SAFETY INFORMATION	1-1
QUICKSTART	1-3
BEFORE YOU START	1-3
About this QuickStart.....	1-3
OVERVIEW	1-4
Control Module Cover Removal	1-4
Control Module Removal	1-5
Top & Bottom Cover Removal Instructions	1-6
Top Cover Removal.....	1-6
Bottom Cover Removal.....	1-6
Front Cover Removal Instructions (Frames K - N only).....	1-7
Fan Supply Voltage Selection (Frames K - N only).....	1-7
Cabling Bracket for Control & Main Cable (Frames D - J only).....	1-7
Power Wiring Connections	1-8
Dynamic Braking Resistors	1-9
Internal Filter Disconnection	1-9
Power Ratings.....	1-9
Drive Start-up.....	1-10
Drive Setup.....	1-10
Motor Data.....	1-10
Base Frequency (Hz)	1-10
Base Voltage (V)	1-10
Motor Poles	1-10
Rated Motor Current (A).....	1-10
Motor Power (kW)	1-10
Nameplate Speed (RPM)	1-10
Power Factor.....	1-10
Getting Started - GKP Setup Wizard	1-11
Purpose of the Setup Wizard.....	1-11
Starting the Setup Wizard.....	1-11
Running the Setup Wizard.....	1-11
Setup Wizard Stages.....	1-11
Finalising Setup	1-11
Ethernet Communications.....	1-11
COMPLIANCE	1-12
Chapter 2 Deutsch	2-1
SICHERHEITS INFORMATIONEN	2-1
SCHNELLSTARTANLEITUNG	2-3
ERSTE SCHRITTE.....	2-3
Zu dieser Schnellstartanleitung.....	2-3
ÜBERSICHT.....	2-4
Entfernen der Steuermodulabdeckung.....	2-4
Schaltpläne	2-5
Entfernen des Steuermoduls.....	2-5
Entfernen der oberen und unteren Abdeckung	2-6
Obere Abdeckung.....	2-6
Untere Abdeckung entfernen	2-6
Instruktionen zum Entfernen der Frontabdeckung (nur Baugröße K - N).....	2-7
Auswahl der Lüfterspannung (nur Baugröße K - N).....	2-7
Kabelhalterung für Steuer- & Hauptkabel (nur Baugröße D - J).....	2-7
Stromversorgungsanschlüsse.....	2-8
Dynamischer Bremswiderstand.....	2-9
Interne Filtertrennung	2-9
Nennleistung	2-9
Inbetriebnahme des Antriebs.....	2-10
Konfiguration des Antriebs	2-10
Motordaten	2-10
Erste Schritte - GKP-Setup-Assistent.....	2-11
Zweck des Setup-Assistenten.....	2-11
Starten des Setup-Assistenten	2-11
Ausführen des Setup-Assistenten.....	2-11
Arbeitsschritte im Setup-Assistenten	2-11
Abschließen der Konfiguration.....	2-11
Ethernetverbindungen	2-11
KONFORMITÄT	2-12
Chapter 3 Français	3-1
Informations de Sécurité	3-1
Risques	3-1
DÉMARRAGE RAPIDE	3-3
AVANT DE DÉMARRER	3-3
À propos de ce guide de démarrage rapide	3-3
PRÉSENTATION	3-4
Retrait de la protection du module de commande	3-4
Schémas de câblage.....	3-5
Retrait du module de commande.....	3-5
Instructions pour le retrait des protections supérieure et inférieure	3-6
Retrait de la protection supérieure.....	3-6
Retrait de la protection inférieure.....	3-6
Instruction de retrait du capot avant (châssis K - N uniquement).....	3-7
Sélection de la tension d'alimentation du ventilateur (châssis K - N uniquement).....	3-7
Support de câblage pour le câble principal et le câble de commande (châssis D - J uniquement).....	3-7
Raccordement des câbles d'alimentation.....	3-8
Résistances de freinage dynamique	3-9
Déconnexion du filtre interne.....	3-9
Puissances	3-9
Démarrage du variateur	3-10
Réglage du variateur.....	3-10
Données du moteur	3-10
Démarrage - Assistant de réglage GKP.....	3-11
Objectif de l'assistant de réglage	3-11
Démarrage de l'assistant de réglage.....	3-11
Exécution de l'assistant de réglage.....	3-11
Étapes de l'assistant de réglage	3-11
Finalisation du réglage	3-11
Communications Ethernet	3-11

CONFORMITÉ	3-12
------------------	------

Chapter 4 Italiano

4-1

INFORMAZIONI SULLA SICUREZZA	4-1
------------------------------------	-----

GUIDA RAPIDA	4-3
--------------------	-----

PRIMA DI INIZIARE.....	4-3
------------------------	-----

Informazioni su questa guida rapida	4-3
---	-----

PANORAMICA	4-4
------------------	-----

.....	4-4
-------	-----

Rimozione coperchio modulo di comando	4-5
---	-----

Schemi di cablaggio.....	4-5
--------------------------	-----

Rimozione del modulo di comando	4-5
---------------------------------------	-----

Istruzioni per la rimozione dei coperchi superiore ed inferiore	4-6
---	-----

Rimozione del coperchio superiore.....	4-6
--	-----

Rimozione del coperchio inferiore.....	4-6
--	-----

Istruzioni di rimozione del coperchio anteriore (solo per telai K - N)	4-7
--	-----

Selezione della tensione di alimentazione della ventola (solo per telai K - N)	4-7
--	-----

Staffa di cablaggio per cavi di comando e alimentazione (solo per telai D - J).....	4-7
---	-----

Collegamenti elettrici	4-8
------------------------------	-----

Resistenze di frenatura dinamica.....	4-9
---------------------------------------	-----

Disconnessione filtro interno	4-9
-------------------------------------	-----

Potenze nominali	4-9
------------------------	-----

Messa in funzione dell'inverter	4-10
---------------------------------------	------

Configurazione dell'inverter	4-10
------------------------------------	------

Dati motore.....	4-10
------------------	------

Per iniziare - Procedura guidata di configurazione della tastiera grafica.....	4-11
--	------

Scopo della procedura guidata di configurazione.....	4-11
--	------

Avvio della procedura guidata di configurazione	4-11
---	------

Esecuzione della procedura guidata di configurazione.....	4-11
---	------

Fasi della procedura guidata di configurazione	4-11
--	------

Completamento della configurazione	4-11
--	------

Comunicazioni Ethernet.....	4-11
-----------------------------	------

CONFORMITÀ	4-12
------------------	------

Chapter 5 Polski

5-1

INFORMACJE DOTYCZĄCE BEZPIECZEŃSTWA.....	5-1
--	-----

INSTRUKCJA SZYBKIEGO URUCHOMIENIA	5-3
---	-----

PRZED ROZPOCZĘCIEM.....	5-3
-------------------------	-----

O niniejszej instrukcji szybkiego uruchomienia.....	5-3
---	-----

WIDOK OGÓLNY	5-4
--------------------	-----

.....	5-4
-------	-----

Demontaż pokrywy modułu sterowania	5-5
--	-----

Demontaż modułu sterowania.....	5-5
---------------------------------	-----

Instrukcja demontażu górnej i dolnej pokrywy.....	5-6
---	-----

Demontaż pokrywy górnej	5-6
-------------------------------	-----

Demontaż pokrywy dolnej.....	5-6
------------------------------	-----

Instrukcja demontażu pokrywy przedniej (tylko ramy K-N)	5-7
---	-----

Wybór napięcia zasilania wentylatora (tylko ramy K-N).....	5-7
--	-----

Wspornik okablowania dla kabli sterujących i zasilających (tylko ramy D-J).....	5-7
---	-----

Połączenia okablowania zasilającego.....	5-8
--	-----

Rezystory hamowania dynamicznego	5-9
--	-----

Odlączanie filtra wewnętrznego	5-9
--------------------------------------	-----

Dane znamionowe zasilania	5-9
---------------------------------	-----

Uruchomienie przemiennika.....	5-10
--------------------------------	------

Konfiguracja przemiennika.....	5-10
--------------------------------	------

Parametry silnika	5-10
-------------------------	------

Pierwsze kroki — Kreator konfiguracji GKP	5-11
---	------

Przeznaczenie kreatora konfiguracji	5-11
---	------

Uruchamianie kreatora konfiguracji.....	5-11
---	------

Praca z kreatorem konfiguracji	5-11
--------------------------------------	------

Etapy kreatora konfiguracji	5-11
-----------------------------------	------

Zakończenie konfiguracji	5-11
--------------------------------	------

Komunikacja Ethernet	5-11
----------------------------	------

KOMPATYBILNOŚĆ	5-12
----------------------	------

Chapter 6 Español

6-1

INFORMACIÓN DE SEGURIDAD	6-1
--------------------------------	-----

INICIO RÁPIDO	6-3
---------------------	-----

ANTES DE COMENZAR	6-3
-------------------------	-----

Acerca de este manual de inicio rápido	6-3
--	-----

DESCRIPCIÓN GENERAL.....	6-4
--------------------------	-----

Extracción de la cubierta del módulo de control.....	6-4
--	-----

Diagramas del cableado	6-5
------------------------------	-----

Extracción del módulo de control.....	6-5
---------------------------------------	-----

Instrucciones para extraer las cubiertas superior e inferior.....	6-6
---	-----

Extracción de la cubierta superior.....	6-6
---	-----

Extracción de la cubierta inferior.....	6-6
---	-----

Instrucciones de extracción de la cubierta delantera (solo bastidores K - N).....	6-7
---	-----

Selección de la tensión de alimentación del ventilador (solo bastidores K - N).....	6-7
---	-----

Soporte del cableado para el cable principal y de control (solo bastidores D - J)	6-7
---	-----

Conexiones del cableado de alimentación	6-8
---	-----

Resistencias de frenado dinámico	6-9
--	-----

Desconexión del filtro interno.....	6-9
-------------------------------------	-----

Potencias nominales.....	6-9
--------------------------	-----

Puesta en marcha de la unidad.....	6-10
------------------------------------	------

Configuración de la unidad	6-10
----------------------------------	------

Datos del motor	6-10
-----------------------	------

Introducción: asistente de configuración del GKP	6-11
--	------

Objetivo del asistente de configuración.....	6-11
--	------

Inicio del asistente de configuración	6-11
---	------

Ejecución del asistente de configuración	6-11
--	------

Fases del asistente de configuración	6-11
--	------

Finalización de la configuración.....	6-11
---------------------------------------	------

Comunicaciones Ethernet.....	6-11
------------------------------	------

CUMPLIMIENTO.....	6-12
-------------------	------

Chapter 7 Svenska

7-1

SÄKERHETSINFORMATION	7-1
----------------------------	-----

SNABBSTART	7-3
------------------	-----

INNAN DU STARTAR	7-3
------------------------	-----

Om denna Snabbstart	7-3
---------------------------	-----

ÖVERSIKT	7-4
----------------	-----

Ta bort kontrollmodulens hölje.....	7-4
-------------------------------------	-----

Ta bort kontrollmodulen	7-5
-------------------------------	-----

Instruktioner för att ta bort den övre och nedre kåpan.....	7-6
---	-----

Ta bort den övre kåpan.....	7-6
-----------------------------	-----

Ta bort den nedre kåpan	7-6
-------------------------------	-----

Instruktioner för borttagning av den främre kåpan (endast ramarna K-N)	7-7
--	-----

Val av fläktens försörjningsspänning (endast ramarna K-N).....	7-7
--	-----

Kabelfäste för kontroll- och huvudkabel (endast ramarna D-J)	7-7
--	-----

Anslutningar med strömkablage.....	7-8
------------------------------------	-----

Dynamiska bromsmotstånd	7-9
-------------------------------	-----

Bortkoppling av internt filter	7-9
--------------------------------------	-----

Effektklassningar	7-9
-------------------------	-----

Starta enheten	7-10
----------------------	------

Inställningar av enheten	7-10
--------------------------------	------

Motordata	7-10
Komma igång – installationsguide för tangentbordet..	7-11
Syftet med installationsguiden	7-11
Starta installationsguiden.....	7-11
Köra installationsguiden.....	7-11
Delar av installationsguiden	7-11
Avsluta installationen.....	7-11
Ethernet-kommunikation	7-11
INSTALLATIONSKRAV.....	7-12
Chapter 8 Dimensions for Panel Mount	
Installations	8-1
Chapter 9 Applications	9-1
Application 0: Basic Speed Control (Default)	9-1

Chapter 1 English

SAFETY INFORMATION

FAILURE OR IMPROPER SELECTION OR IMPROPER USE OF THE PRODUCTS DESCRIBED HEREIN OR RELATED ITEMS CAN CAUSE DEATH, PERSONAL INJURY AND PROPERTY DAMAGE.

This document and other information from Parker-Hannifin Corporation, its subsidiaries and authorized distributors provide product or system options for further investigation by users having technical expertise.

The user, through its own analysis and testing, is solely responsible for making the final selection of the system and components and assuring that all performance, endurance, maintenance, safety and warning requirements of the application are met. The user must analyze all aspects of the application, follow applicable industry standards, and follow the information concerning the product in the current product catalogue and in any other materials provided from Parker or its subsidiaries or authorized distributors.

To the extent that Parker or its subsidiaries or authorized distributors provide component or system options based upon data or specifications provided by the user, the user is responsible for determining that such data and specifications are suitable and sufficient for all applications and reasonably foreseeable uses of the components or systems.

Requirements

IMPORTANT: Please read this information BEFORE installing the equipment.

WARNING – Operation of this equipment requires detailed installation and operation instructions provided in the Installation/Operation manual intended for use with this product. It should be retained with this device at all times. A hard copy of this information may be ordered from the supplier indicated on the product label.

Intended Users

This leaflet is to be made available to all persons who are required to install, configure or service equipment described herein, or any other associated operation.

The information given is intended to highlight safety issues, EMC considerations, and to enable the user to obtain maximum benefit from the equipment.

Application Area

The equipment described is intended for industrial motor speed control utilising, AC induction motors or AC synchronous machines.

Personnel

Installation, operation and maintenance of the equipment should be carried out by competent personnel. A competent person is someone who is technically qualified and familiar with all safety information and established safety practices; with the installation process, operation and maintenance of this equipment; and with all the hazards involved.

Product Warnings

	DANGER Risk of electric shock		Attention – hot surfaces		Caution Refer to documentation		Earth/Ground Protective Conductor Terminal
--	---	---	--------------------------	---	-----------------------------------	---	--

Hazards

DANGER! - Ignoring the following may result in injury

1. This equipment can endanger life by exposure to rotating machinery and high voltages.
2. The equipment must be permanently earthed due to the high earth leakage current, and the drive motor must be connected to an appropriate safety earth.
3. Ensure all incoming supplies are isolated before working on the equipment. Be aware that there may be more than one supply connection to the drive.
4. There may still be dangerous voltages present at power terminals (motor output, supply input phases, DC bus and the brake, where fitted) when the motor is at standstill or is stopped.
5. For measurements use only a meter to IEC 61010 (CAT III or higher). Always begin using the highest range. CAT I and CAT II meters must not be used on this product.
6. Allow at least 5 minutes for the drive's capacitors to discharge to safe voltage levels (<50V). Use the specified meter capable of measuring up to 1000V dc & ac rms to confirm that less than 50V is present between all power terminals and earth.
7. Unless otherwise stated, this product must NOT be dismantled. In the event of a fault the drive must be returned. Refer to "Routine Maintenance and Repair".
8. **WARNING** – The opening of the branch-circuit protective device may be an indication that a fault current has been interrupted. To reduce the risk of fire or electric shock, current-carrying parts and other components of the controller should be examined and replaced if damaged.

WARNING! - Ignoring the following may result in injury or damage to equipment**SAFETY**

Where there is conflict between EMC and Safety requirements, personnel safety shall always take precedence.

- Never perform high voltage resistance checks on the wiring without first disconnecting the drive from the circuit being tested.
- Whilst ensuring ventilation is sufficient, provide guarding and /or additional safety systems to prevent injury or damage to equipment.
- All control and signal terminals are SELV, i.e. protected by double insulation. Ensure all external wiring is rated for the highest system voltage.
- All exposed metalwork in the Inverter is protected by basic insulation and bonded to a safety earth.
- When replacing a drive in an application and before returning to use, it is essential that all user defined parameters for the product's operation are correctly installed.
- Thermal sensors contained within the motor must have at least basic insulation.
- RCDs are not recommended for use with this product but, where their use is mandatory, only Type B RCDs should be used.

EMC

- In a domestic environment this product may cause radio interference in which case supplementary mitigation measures may be required.
- This equipment contains electrostatic discharge (ESD) sensitive parts. Observe static control precautions when handling, installing and servicing this product.
- This is a product of the restricted sales distribution class according to IEC 61800-3. It is designated as "professional equipment" as defined in EN61000-3-2 for frames size D. Permission of the supply authority shall be obtained before connection to the public low voltage supply. Frame sizes E to N harmonics conform to the limits of IEC6100-3-12:2011 (table 4).

WARNING! – Control Unit Removal / Fitting

Isolate supply before plugging or unplugging control unit to the power stack.

CAUTION!**APPLICATION RISK**

- The specifications, processes and circuitry described herein are for guidance only and may need to be adapted to the user's specific application. We can not guarantee the suitability of the equipment described in this Manual for individual applications.

RISK ASSESSMENT

Under fault conditions, power loss or unintended operating conditions, the drive may not operate as intended.

In particular:

- Stored energy might not discharge to safe levels as quickly as suggested, and can still be present even though the drive appears to be switched off
- The motor's direction of rotation might not be controlled
- The motor speed might not be controlled
- The motor might be energised

A drive is a component within a drive system that may influence its operation or effects under a fault condition.

Consideration must be given to:

- Stored energy
- Supply disconnects
- Sequencing logic

QUICKSTART

BEFORE YOU START

This document covers the steps necessary for a basic start up of the AC30 series drives. Drive start ups should be performed by competent electrical technicians who are familiar with AC drives and their applications. For detailed installation, safety and application information, refer to the AC30 series Product Manuals:

1. HA503711U001 – AC30 Series Hardware Installation Manual: Frames D - J.
2. HA503711U002 – AC30 Series Hardware Installation Manual: Frames K - N.
3. HA503711U003 – AC30 Series Software Reference Manual.

Ensure that all local electric codes are met while installing the drive. Check that all live parts are covered to protect against electric shock and that unexpected rotation of the motor will not result in bodily harm or injury.

This document expects that the drive is already installed in its intended location and that all relevant installation procedures have been followed. Please ensure that the drive has adequate ventilation so that ambient temperature does not exceed 45°C (112°F) under normal operating conditions.

We suggest you check to see if any new firmware is available at www.parker.com/ssd/pdq

ABOUT THIS QUICKSTART

This QuickStart will:

- Familiarise you with the terminals and operation of the unit.
- Provide ***basic** installation details and a quick set-up procedure.
- Show you how to Autotune the drive and start the motor.

** Because the AC30 is a system product and we have no knowledge of your application, we detail the quickest way to power-up the drive using a simple earthing scheme with minimal control wiring. Refer to HA503711U001/U002 'AC30 Series Hardware Installation Manual' for items not covered in this QuickStart.*

Provided with every AC30 unit is:

- Quickstart.

This QuickStart assumes that:

- You are a competent technician with experience of installing this type of equipment.
- You are familiar with the relevant standards and Local Electric Codes (which take precedence).
- You have read and understood the Safety Information provided at the front of this QuickStart.
- You realise that this guide contains only basic information and that you may need to refer to one of the AC30 series Product Manuals, available from www.parker.com/ssd, to complete your installation.
- You are not using the Safe Torque Off (STO) feature of this product and that you will disable it as instructed in this QuickStart manual (see page 1-4).

Safety Note – Use of the STO feature requires full compliance with the STO guidelines outlined in HA503711U001/U002 'Chapter 8: Safe Torque Off SIL3/PLe'.

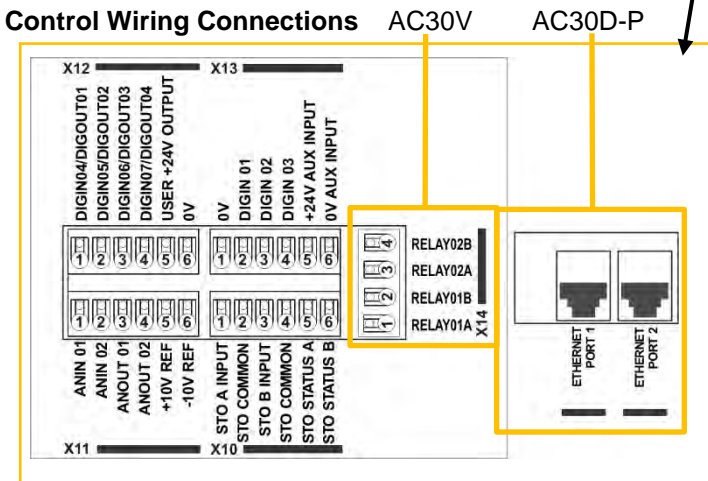
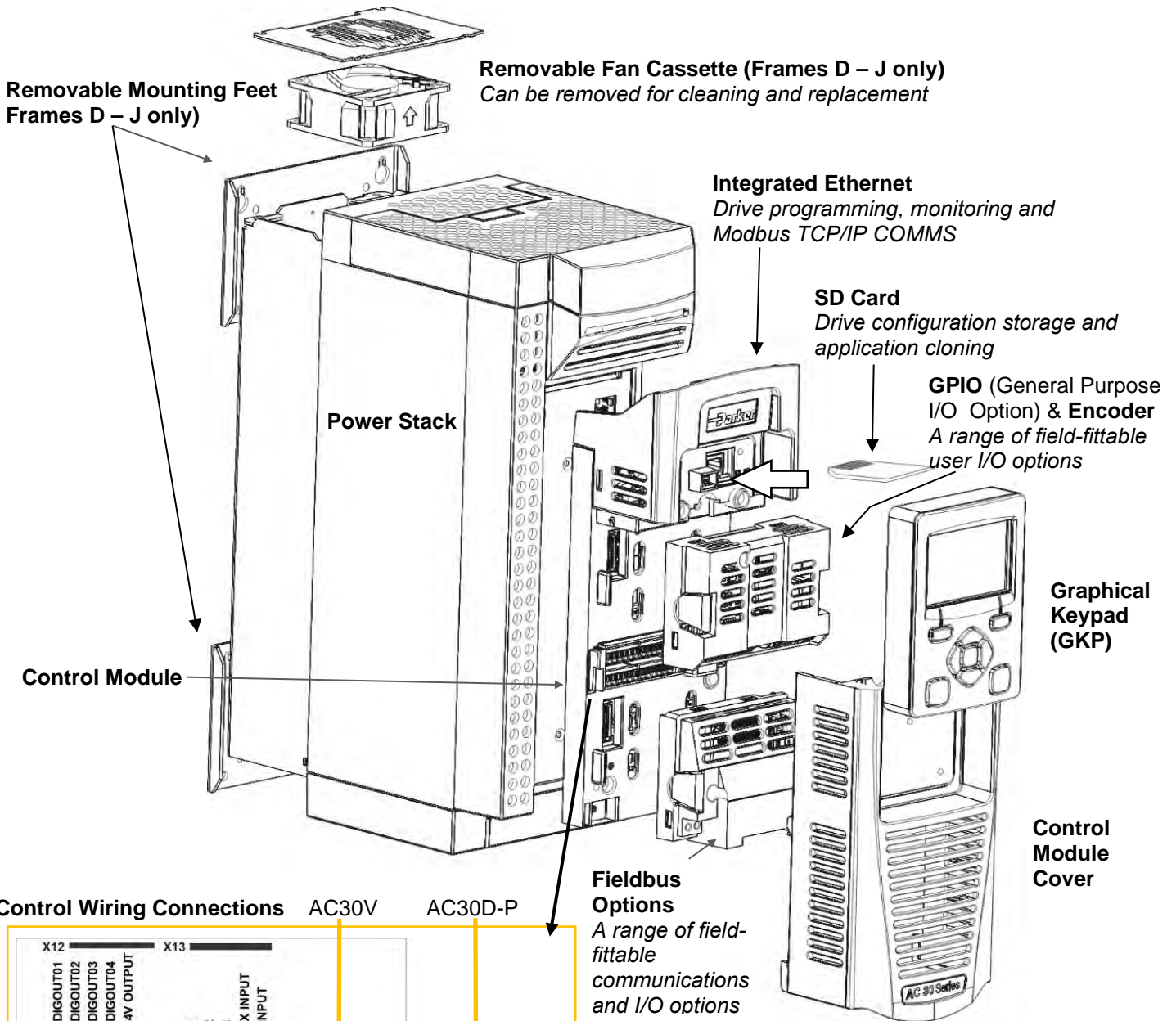
OVERVIEW

Product Range:

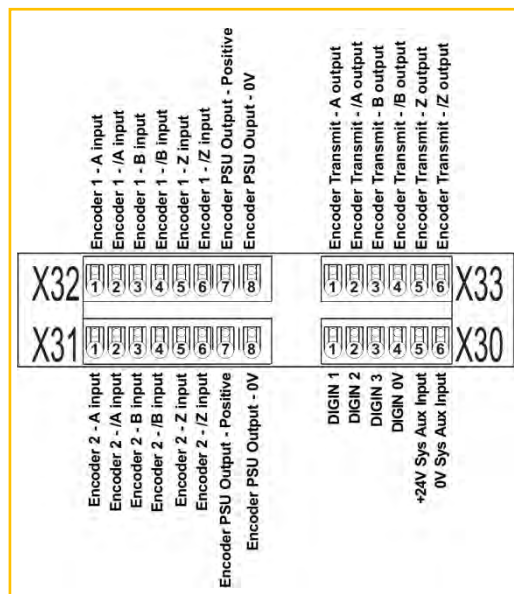
AC30V, AC30P & AC30D

Frames D, E, F, G, H, J, K, L, M & N

AC30V Frame E Illustrated



System Wiring Connections (AC30D only)



Safe Torque Off

To disable STO:

Connect X12/05 to X10/01 and X10/03
Connect X12/06 to X10/04

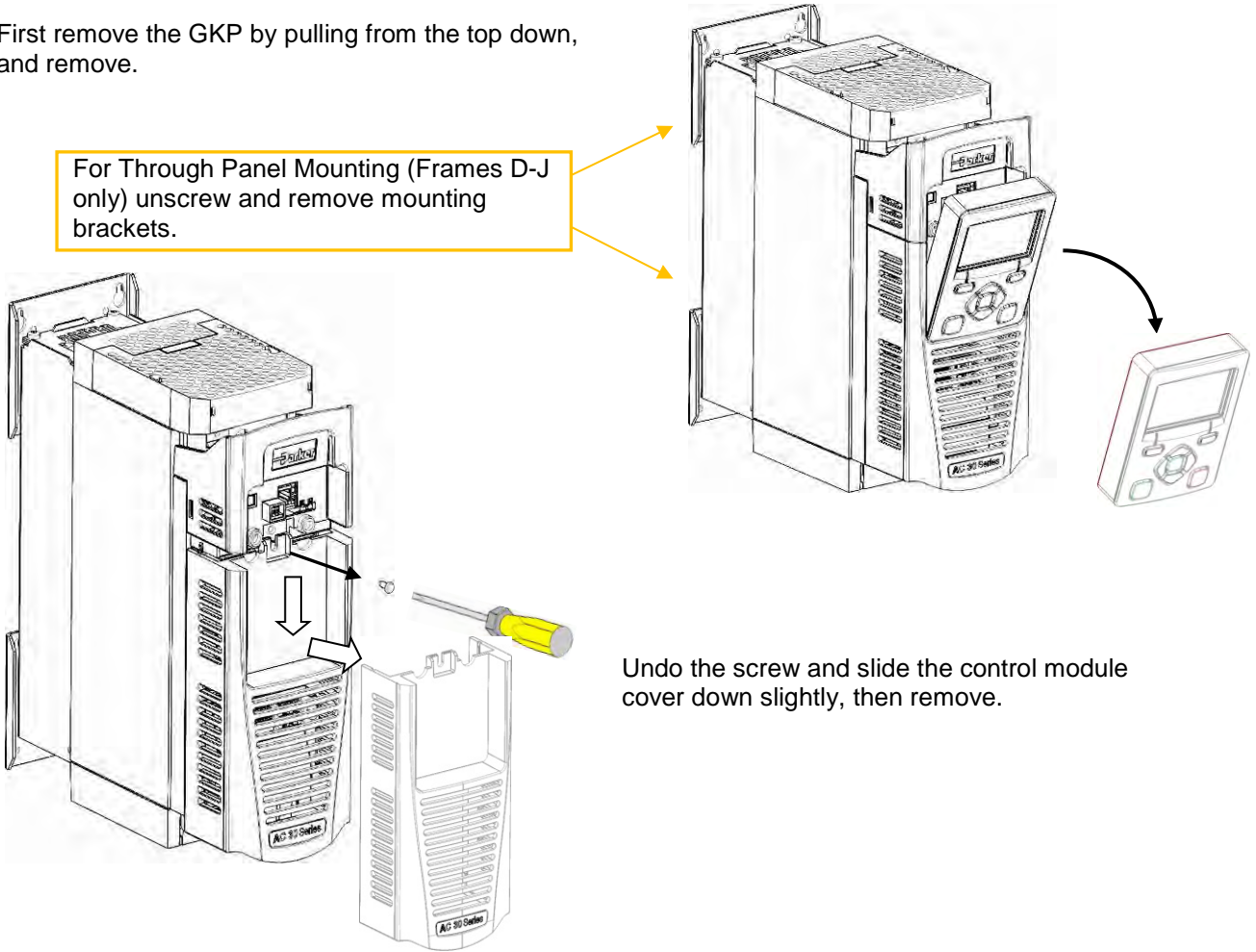
To use the STO feature the user must read and fully understand Chapter 8 of HA503711U001/U002.

Control Module Cover Removal

To gain access to the control wiring, and SD Card, first remove the control module cover as follows:

First remove the GKP by pulling from the top down, and remove.

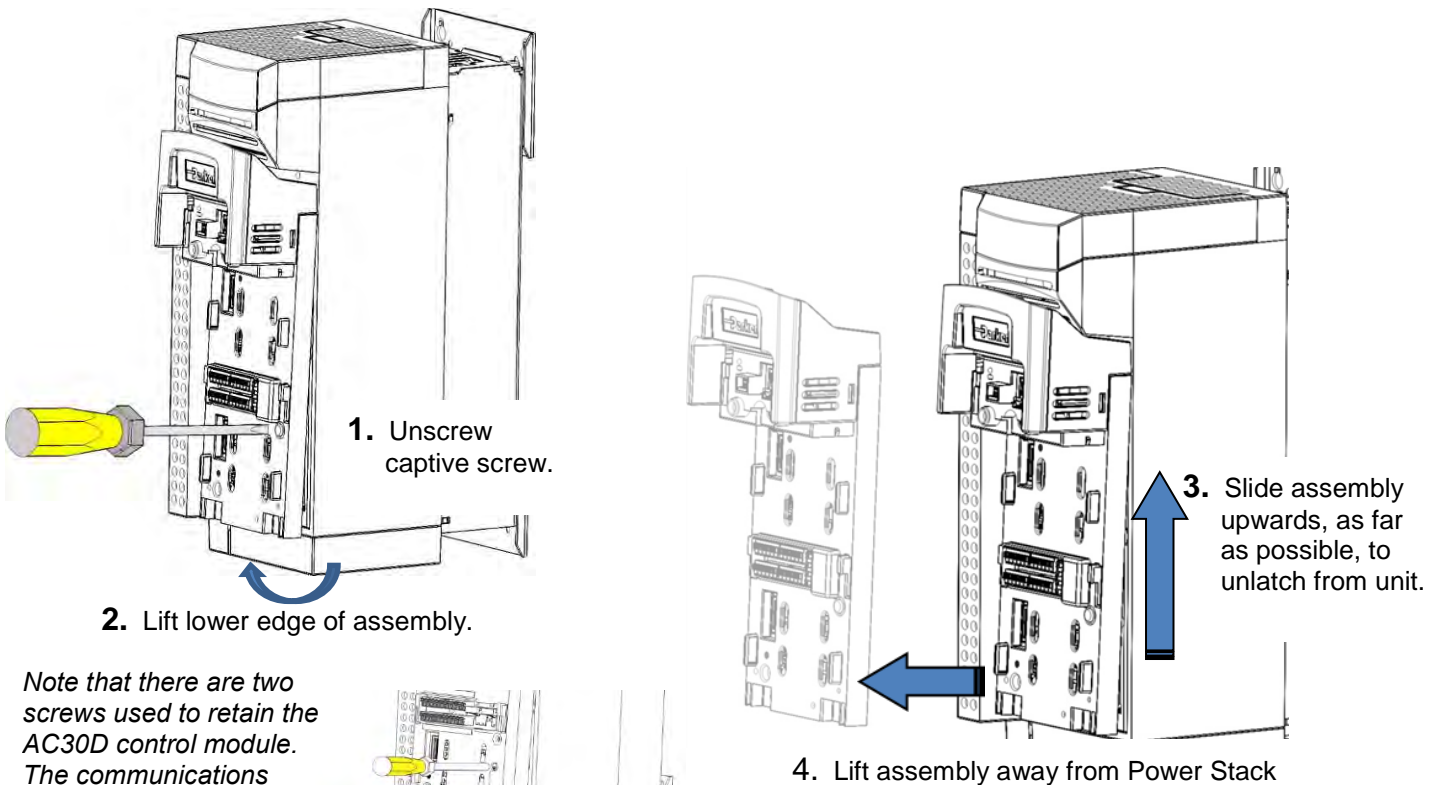
For Through Panel Mounting (Frames D-J only) unscrew and remove mounting brackets.



Undo the screw and slide the control module cover down slightly, then remove.

Control Module Removal

WARNING Isolate supply before plugging or unplugging control unit to the power stack.



Note that there are two screws used to retain the AC30D control module. The communications option, if fitted, should be temporarily removed to access one of the two screws.

Top & Bottom Cover Removal Instructions

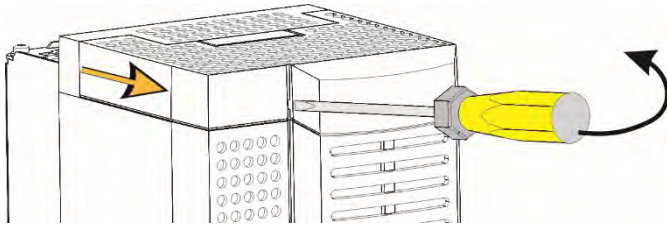
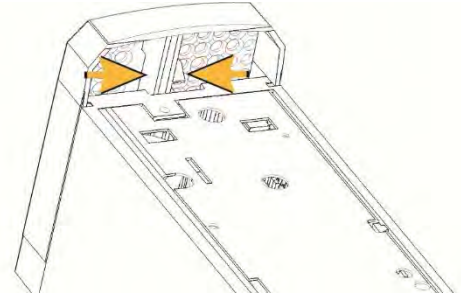
WARNING Isolate supply and ensure residual energy is discharged before removing the terminal covers.

Top Cover Removal

The top terminal cover will need to be removed in order to connect the DC link input cables or brake cables to the inverter:

Frame D:

1. Remove the control module.
2. Squeeze the bracket.
3. Slide the cover up to remove.

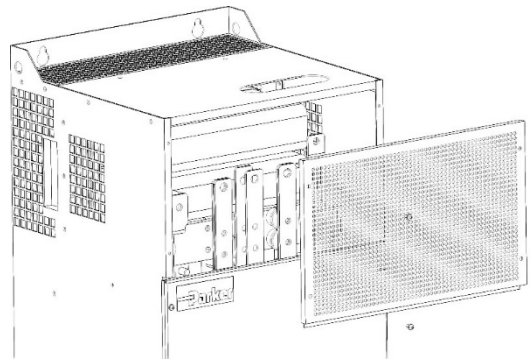


Frames E - J:

1. Insert a screwdriver into the slot.
2. Push to the right to release the catch.
3. Slide the cover up to remove.

Frames K - N:

1. Unscrew the fixings to remove.
On the Frame K only, the front panel must be removed first.

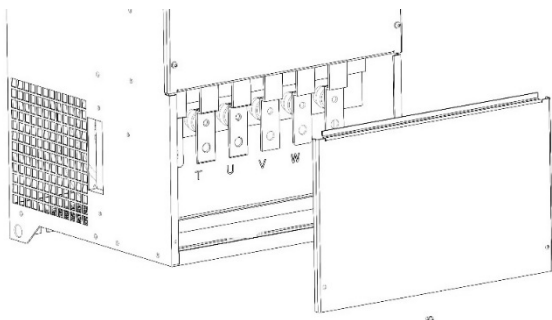
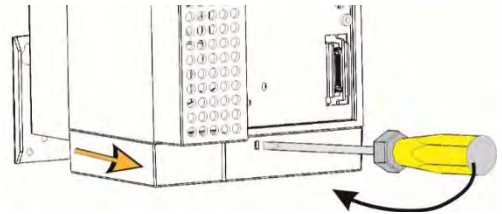


Bottom Cover Removal

The bottom terminal cover will need to be removed prior to connecting any AC line input cables to or motor output cables from the inverter:

Frames D - J:

1. Insert a screwdriver into the slot.
2. Push to the left to release the catch.
3. Slide the cover up to remove.



Frames K - N:

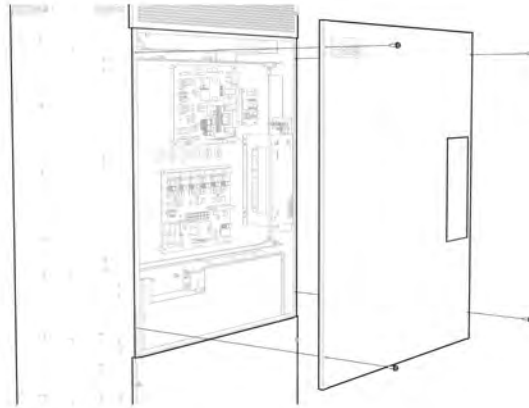
1. Unscrew the fixings to remove.

Front Cover Removal Instructions (Frames K - N only)

WARNING Isolate supply and ensure residual energy is discharged before removing the front cover.

The front panel of the inverter will need to be removed in order to access the fan voltage selection PCB. The installer should check that the fan is set to operate on the correct supply voltage.

Removal of this panel also allows access to the AC line filter PCB, and in particular the Y-cap and VDR disconnects.



Fan Supply Voltage Selection (Frames K - N only)

With the front panel removed, ensure that the fan supply voltage selection link is correctly located according to the three phase AC drive supply voltage, or the DC supply voltage to the drive.

When the drive is supplied with a DC supply voltage, an external 220VAC auxiliary supply is required to power the main cooling duct fans. This needs to be wired into the terminal block TB1.

Drive Supply Voltage	Link Position
380-420VAC	PLG4
440-480VAC	PLG5
510-650VDC	PLG6

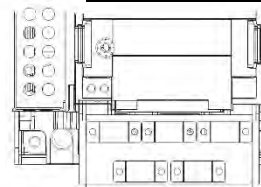
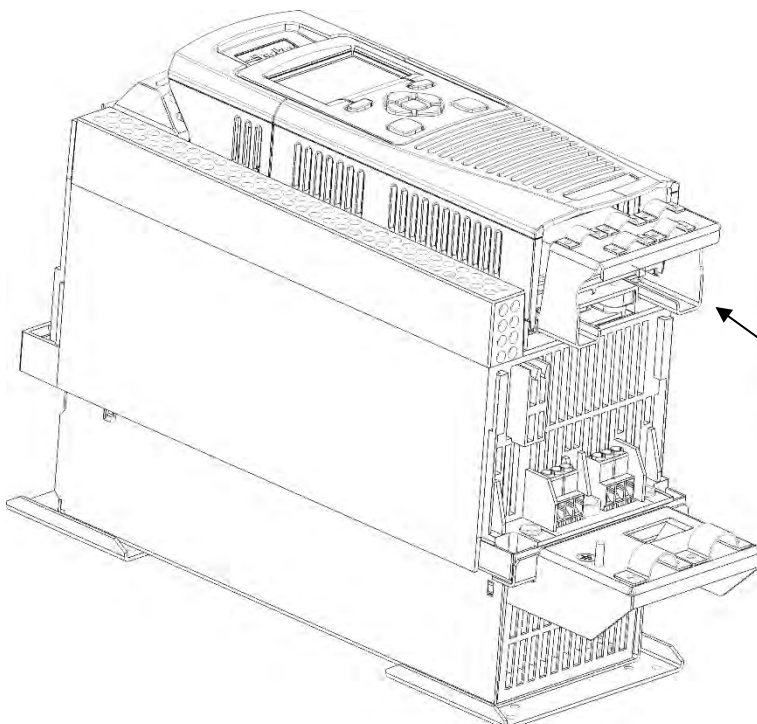
Cabling Bracket for Control & Main Cable (Frames D - J only)

When the bottom cover is removed, you can install the cabling brackets, if required.

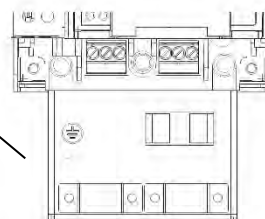
The cabling brackets are standard with C2 filtered products as they are used to position the output ringcores. They can be obtained from Parker using the following part numbers:

AC30V Frame E Illustrated

Frame Size	Cabling Bracket Kit Part Number	
	Panel Mount	Through Panel
D	LA501935U001	LA503117U001
E	LA501935U002	LA503117U002
F	LA501935U003	LA503117U003
G	LA501935U004	LA503117U004
H	LA501935U005	LA503117U005
J	LA501935U006	Not available
AC30D	LA501935U007	



Control cable wiring bracket



Main cable wiring bracket

Power Wiring Connections

WARNING Isolate supply and ensure residual energy is discharged before wiring up the product.

For correct tightening torques and recommended wire sizes, refer to HA503711U001/U002 'Chapter 4: Installation – Power Stack'.

Wiring Details – AC line fed 710 Stacks

Connect the incoming three phase supply cables into terminals L1, L2 & L3 respectively. Phase rotation is not critical.

Likewise, connect the three phase motor cables into terminals U, V & W. Phase rotation is important to ensure consistency between the inverter motor control direction and motor shaft rotation.

Connect both the incoming supply earth and motor earth to the inverter PE terminals.



Where output ringcores are required when installing a C2 filter product:

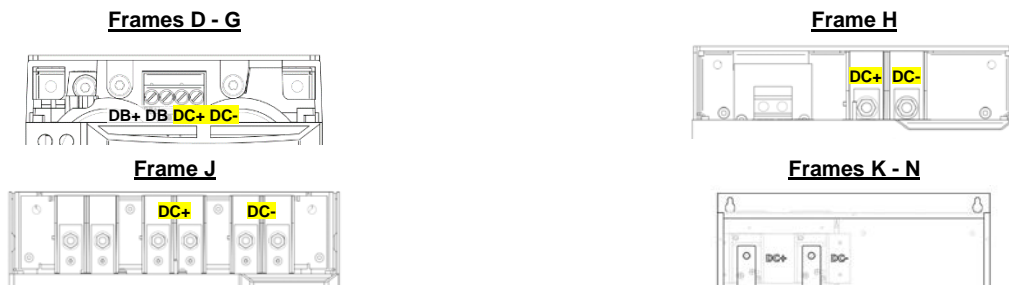
1. Position the output ringcore in the cutout on the cabling bracket.
2. Pass the three motor supply conductors through the centre of the ringcore when connecting to the inverter terminals U, V & W.

Note: The earth connection **does not** pass through the centre of the ringcore.

3. The cable clamps supplied with the cabling bracket should be used to clamp down on the exposed cable screen, providing a 360° screen termination point.

Wiring Details – DC link fed 740 Stacks

Connect the DC supply cables into terminals DC+ & DC- respectively. It is important not to transpose these connections.



Connect the three phase motor cables into terminals U, V & W. Phase rotation is important to ensure consistency between the inverter control direction and motor shaft rotation.

When wiring an inverter for use as an AFE, terminals U, V & W are used to connect to the three phase mains supply.

Earth both the inverter and motor earth (or incoming supply for an AFE application) to the inverter PE terminals.



Dynamic Braking Resistors

WARNING Isolate supply and ensure residual energy is discharged before wiring up the product.

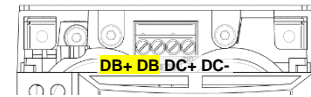
Dynamic Brake Resistors tend to be used when an application requires regenerated power from the motor to be dissipated.

The AC30 Frames D - K are all fitted with an internal brake switch as standard, ready for connection to an external Dynamic Brake Resistor.

Wiring Details

Where a Dynamic Brake Resistor (DBR) is required for an inverter application, connect across the terminals DB+ & DB (Frames D - J), or across the terminals DC+ & DB (Frame K only).

Frame D - G



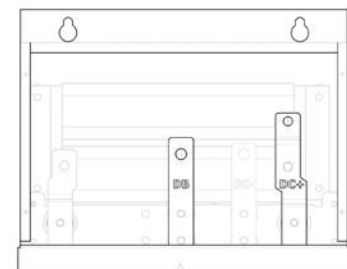
Frame H



Frame J



Frame K



WARNING

Do not apply external voltage sources (mains supply or otherwise) to any of the braking terminals: DB+, DB. This can lead to damage to the drive and installation, and risk to personnel.

Internal Filter Disconnection

WARNING



Ensure that all wiring is electrically isolated and cannot be made "live".
Do not touch filter terminals or cabling for at least 3 minutes after removing the AC or DC supply.

For full instructions on how to disconnect the EMC Filter please refer to HA503711U001/U002 'Chapter 4: Installation – Power Stack':

Power Ratings

See HA503711U001/U002/U003 'Appendix D: AC30 Series Product Codes' for understanding the product code.

Order Code	Normal Duty Ratings				Heavy Duty Ratings				Frame
	400Vac		460Vac		400Vac		460Vac		
	kW	O/P Current Arms	hp	O/P Current Arms	kW	O/P Current Arms	hp	O/P Current Arms	
380-480Vac (±10%) Three Phase Supply / 510-650Vdc Supply									
710-4D0004-B2-0S-0000	1.1	3.5	1.5	3	0.75	2.5	1	2.1	D
710-4D0006-B2-0S-0000	2.2	5.5	3	4.8	1.5	4.5	2	3.4	D
710-4D0010-B2-0S-0000	4	10	5	7.6	3	7.5	-	-	D
710-4D0012-B2-0S-0000	5.5	12	7.5	11	4	10	5	7.6	D
710-4E0016-B2-0S-0000	7.5	16	10	14	5.5	12	7.5	11	E
710-4E0023-B2-0S-0000	11	23	15	21	7.5	16	10	14	E
710-4F0032-B2-0S-0000	15	32	20	27	11	23	15	21	F
710-4F0038-B2-0S-0000	18.5	38	25	36	15	32	20	27	F
710-4F0045-B2-0S-0000	22	45	30	40	18.5	38	25	36	F
710-4G0045-B2-0S-0000	22	45	30	40	18.5	38	25	36	G
710-4G0060-B2-0S-0000	30	60	40	52	22	45	30	40	G
710-4G0073-B2-0S-0000	37	73	50	65	30	60	40	52	G
710-4H0087-B2-0S-0000	45	87	60	77	37	73	50	65	H
710-4H0105-B2-0S-0000	55	105	75	96	45	87	60	77	H
710-4H0145-B2-0S-0000	75	145	100	124	55	105	75	96	H
710-4J0180-B2-0S-0000	90	180	125	156	75	145	100	124	J
710-4J0205-B2-0S-0000	110	205	150	180	90	180	125	156	J
710-4J0260-B2-0S-0000	132	260	200	240	110	205	150	180	J
710-4K0315-B2-0S-0000	160	315	250	302	132	260	200	240	K
710-4K0380-B2-0S-0000	200	380	300	361	160	315	250	302	K
710-4K0440-B2-0S-0000	250	440	350	414	200	380	300	361	K
710-4L0530-N2-0S-0000	280	530	450	520	250	480	400	480	L
710-4L0590-N2-0S-0000	315	590	500	590	280	530	450	520	L
710-4M0650-N2-0S-0000	355	650	550	650	315	590	500	590	M
710-4M0700-N2-0S-0000	400	700	600	680	355	650	550	640	M
710-4N0790-N2-0S-0000	450	790	650	770	400	700	600	700	N

1	Device Family
1	AC Line Fed, IP20
4	DC Link Fed, IP20
2	EMC Filter
N	No filter fitted
E	Category C3 filter fitted
F	Category C2 filter fitted

Drive Start-up

- Read the Safety section at the front of the QuickStart.
- Ensure that all local electric codes are met.
- Check for damage to equipment.
- Check for loose ends, clippings, filings, drilling swarf etc. lodged in the drive and system.
- Check all external wiring circuits of the system - power, control, motor and earth connections.
- Ensure that unexpected rotation of the motor in either direction will not result in damage, bodily harm or injury. Disconnect the load from the motor shaft, if possible.
- Check the state of the Motor Thermistor and Brake Resistor connectors. Check external run contacts are open. Check external speed setpoints are all at zero.
- Ensure that nobody is working on another part of the system which will be affected by powering up.
- Ensure that other equipment will not be adversely affected by powering up.
- Check motor stator connections are correctly wired for Star or Delta as necessary for drive output voltage.
- Check that the STO feature has been disabled. See page 1-4 of this Quickstart Manual.
- DANGER: some motors are not suitable for use with STO. Refer to HA503711U001/U002 'Chapter 8: Safe Torque Off SIL3/PLe' for full details.

If all connections have been checked, it is time to **POWER-UP the drive**

Drive Setup

See "Getting Started" on the next page, and refer to HA503711U003 'Chapter 6: Setup Wizard' and 'Appendix C: Parameter Reference' for information about GKP menus and parameter names.

Motor Data

Before attempting to set up the drive, you will need some motor information. This is found on the motor nameplate. The information you will need is listed below:

Induction Motor:

Base Frequency (Hz)
 Base Voltage (V)
 Motor Poles
 Rated Motor Current (A)
 Motor Power (kW)
 Nameplate Speed (RPM)
 Power Factor

PMAC Motor:

PMAC Max Speed (RPM)
 PMAC Max Current (A)
 PMAC Rated Current (A)
 PMAC Rated Torque (Nm)
 PMAC Motor Poles
 PMAC Back Emf Constant K (V)
 PMAC Base Volt (V)
 PMAC Winding Resistance (Ohm)
 PMAC Winding Inductance (mH)
 PMAC Torque Constant KT (Nm/A)
 PMAC Therm Time Const (s)
 PMAC Motor Inertia (kgm²)

Getting Started - GKP Setup Wizard

The GKP can be fitted remotely – see HA503711U001/U002 ‘Chapter 5: Installation – Control Module’ for details.

Purpose of the Setup Wizard

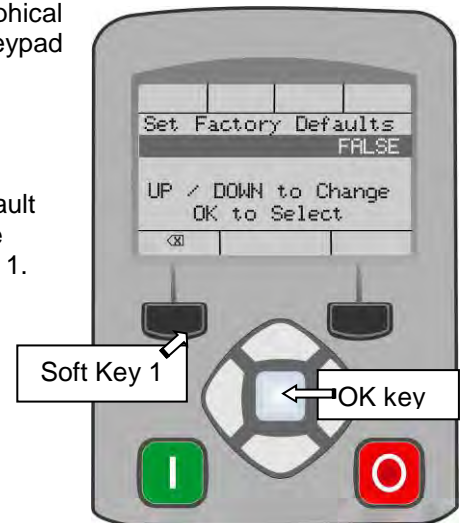
The purpose of the setup wizard is to configure the drive in a clear and concise manner. First familiarize yourself with either HA503711U001/U002 ‘Chapter 9: The Graphical Keypad’ or HA503711U003 ‘Chapter 4: The Graphical Keypad’ for the keypad functions.

Starting the Setup Wizard

The Setup Wizard is automatically invoked when the drive is reset to factory default settings. The setup wizard may be invoked at any other time by navigating to the Welcome Screen at the “top” of the menu tree the pressing the \equiv key, Soft Key 1.

Running the Setup Wizard

At each point in the wizard pressing the OK key selects the displayed value and moves on to the next step. Pressing **Soft key 1** moves back a step. Pressing the UP and DOWN keys modifies the selected value.



Setup Wizard Stages

After selecting the required view level and language, the next option presented is “Set Factory Defaults”. Changing this parameter to TRUE then pressing OK resets all parameters back to the default value determined by the AC30 series hardware configuration. If this choice is left FALSE the setup wizard starts with all parameters with their previously set values. Accepting each choice without change by pressing OK will result in no change to the drive’s configuration.

The rest of the Setup Wizard consists of a several sections. Each section corresponds to a functional component of the drive, for example:

- Application selection
- IO Option, (including the Encoder)
- Analog input and output ranges
- Motor Data
- Motor Control
- Fieldbus options
- On-board Ethernet
- Auto tune

If not required, any section may be skipped.

The default setting for all parameters depends on earlier answers and on the physical configuration of the drive. All data entered is automatically saved without the need for any additional commands.

Finalising Setup

Once the Setup Wizard has been run to completion the feature is automatically disabled. Re-starting the drive will not cause the Setup Wizard to be run again. (If it is desired to re-run the Setup Wizard, this can be achieved as detailed above in “Starting the Setup Wizard”).

For complete details go to HA503711U003 ‘Chapter 6: Setup Wizard’.

Ethernet Communications

Connecting and disconnecting the Ethernet cable.
See HA503711U003 ‘Chapter 8: Ethernet’ for this information.

COMPLIANCE

A comprehensive guide to product compliance is available in HA503711U001/U002 'Appendix A: Compliance'.

Warning – Where there is a conflict between EMC and safety requirements personnel safety shall always take precedence.

Operation of this equipment requires detailed installation and operation instructions provided in the product manual intended for use on this product.

Caution: This is a product of the restricted sales distribution class according to IEC 61800-3. It is designated as “professional equipment” as defined in EN61000-3-2 for frames size D. Permission of the supply authority shall be obtained before connection to the public low voltage supply.

Frame sizes E to N harmonics conform to the limits of IEC6100-3-12:2011 (table 4).

In a domestic environment this product may cause radio interference in which case supplementary mitigation measures may be required.

This equipment contains electrostatic discharge (ESD) sensitive parts. Observe static control precautions when handling, installing and servicing this product.

EMC Emissions

Radiated Emissions comply with EN61800-3 category C1, C2 and C3 when installed in accordance with instructions in HA503711U001/U002 'Chapter 4: Installation – Power Stack'.

Conducted Emissions comply with EN61800-3 category C3 or C2 with internal filter fitted. See HA503711U001/U002 'Appendix A: Compliance' for more details.

Immunity complies with the requirement of EN61800-3, for equipment intended for use in the second environment.

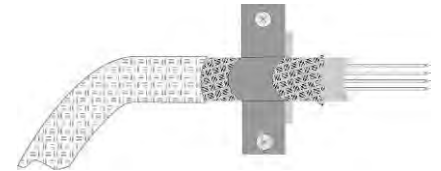
EMC Connections

For compliance with the EMC requirements, the “0V/signal ground” is to be separately earthed. When a number of units are used in a system, these terminals should be connected together at a single, local earthing point.

Control and signal connections should be made with screened cables, with the screen connected only at the VSD end. However, if high frequency noise is still a problem, earth screen at the non VSD end via a 0.1µF capacitor.

Note: Connect the control and signal screens (at the VSD end) to the VSD protective earth point, and not to the control board terminals.

Motor cables should have a 360° bond to ensure a low impedance connection, as per the figure opposite;



Planning Cable Runs

Use the shortest possible motor cable lengths.

Use a single length of cable to a star junction point to feed multiple motors.

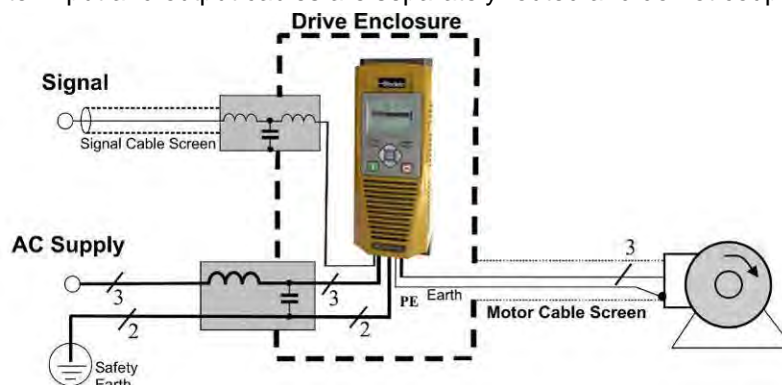
Keep electrically noisy and sensitive cables apart. If this is not possible parallel cable runs should be separated by at least 0.25metres, for runs longer than 10 meters, separation should be increased proportionally.

Sensitive cables should cross noisy cables at 90° angle.

Never run sensitive cables close or parallel to the motor, dc link and braking chopper circuit for any distance.

Never run supply, dc link or motor cables in the same bundle as the signal/control and feedback cables, even if they are screened.

Ensure EMC filter input and output cables are separately routed and do not couple across the filter.



Example AC Fed Inverter shown.

Chapter 2 Deutsch

SICHERHEITS INFORMATIONEN

FEHLERHAFTER ODER UNSACHGEMÄSSE AUSWAHL bzw. VERWENDUNG DER HIER BESCHRIEBENEN PRODUKTE KANN ZU TOD, VERLETZUNGEN ODER SACHSCHADEN FÜHREN.

- Dieses Dokument und andere Informationen von der Parker-Hannifin Corporation, seinen Tochtergesellschaften und Vertragshändlern enthalten Produkt- oder Systemoptionen zur weiteren Verwendung durch Anwender mit technischen Kenntnissen.
- Der Anwender ist durch eigene Untersuchung und Prüfung allein dafür verantwortlich, die endgültige Auswahl des Systems und der Komponenten zu treffen und sich zu vergewissern, dass alle Leistungs-, Dauerfestigkeits-, Wartungs-, Sicherheits- und Warnanforderungen der Anwendung erfüllt werden. Der Anwender muss alle Aspekte der Anwendung genau untersuchen, geltenden Industrienormen folgen und die Informationen in Bezug auf das Produkt im aktuellen Produktkatalog sowie alle anderen Unterlagen, die von Parker oder seinen Tochtergesellschaften oder Vertragshändlern bereitgestellt werden, zu beachten.
- Soweit Parker oder seine Tochtergesellschaften oder Vertragshändler Komponenten oder Systemoptionen basierend auf technischen Daten oder Spezifikationen liefern, die vom Anwender beigestellt wurden, ist der Anwender dafür verantwortlich festzustellen, dass diese technischen Daten und Spezifikationen für alle Anwendungen und vernünftigerweise vorhersehbaren Verwendungszwecke der Komponenten oder Systeme geeignet sind und ausreichen.

Allgemeines

WICHTIG: Bitte lesen Sie die folgenden Informationen, vor der Installation des Geräts.

Diese Anleitung sollte allen Personen zugänglich sein, die den beschriebenen Antrieb installieren, konfigurieren, oder andere mit dem Antrieb zusammenhängende Tätigkeiten durchführen. Die folgenden Informationen enthalten Sicherheitsaspekte und EMV Betrachtungen, die es dem Anwender ermöglichen, den größtmöglichen Nutzen aus dem Antrieb zu erzielen.

Der Umgang mit dem in diesem Lieferumfang enthaltenen Gerät, erfordert spezifische Kenntnisse. Diese können der Installations- / Bedienungsanleitung des Gerätes entnommen werden. Die Installations- / Bedienungsanleitung sollte jedem Nutzer des Gerätes zugänglich gemacht werden.

Einsatzgebiet

Das beschriebene Gerät dient zur Drehzahlregelung von industriellen, AC- Asynchron oder AC- Synchronmotoren.

Personal

Die Installation, Bedienung und Instandhaltung des Geräts sollte nur von einem Fachmann durchgeführt werden, der technisch kompetent und mit allen Sicherheitsvorschriften und lokalen Bestimmungen vertraut ist.

Produkt Warnhinweise

	Achtung: heiße Oberflächen		VORSICHT Schockgefahr		Achtung Dokumentation beachten		Erdung Schutzleiterklemme
---	-----------------------------------	---	------------------------------	---	---------------------------------------	---	----------------------------------

Gefahr! – Missachtung der folgenden Anweisungen kann zu Schäden führen

- Bestimmte Teile des Antriebs stehen unter gefährlichen Spannungen. Bei Berührung dieser Teile oder auch rotierender Maschinenteile besteht die Gefahr von Tod, schweren gesundheitlichen oder materiellen Schäden.
- Das Gerät muss permanent geerdet sein. Der Motor muss an einem angemessenen Schutzleiter angeschlossen sein.
- Sämtliche Signal- und Steuerklemmen sind durch doppelte Isolierung geschützt (Schutzkleinspannung). Stellen Sie sicher, dass sämtliche Leitungen für die maximal mögliche Spannung ausgelegt sind.
- Es können gefährliche Spannungen an den Leistungsklemmen (Einspeisung, Motorabgang, DC Zwischenkreis und der Bremse, sofern eingebaut) anliegen, auch wenn der Motor stillsteht oder gestoppt hat.
- Benutzen Sie zu Messzwecken nur Messgeräte nach IEC 61010 (Kat. III oder höher) und beginnen Sie die Messungen immer im höchsten Messbereich.
- Warten Sie 5 Minuten bis sich die Zwischenkreiskondensatoren auf ein sicheres Level entladen haben (<50V). Benutzen Sie Messleitungen, die bis 1000V DC & AC effektiv spezifiziert sind, um sicherzustellen, dass eine ungefährliche Spannung <50V zwischen allen Leistungsklemmen und Erde anliegt.
- Ein Öffnen oder Zerlegen des Antriebs ist aus Sicherheits- und Gewährleistungsgründen nicht zulässig. Im Fehlerfall muss das Gerät zur Überprüfung und gegebenenfalls zur Reparatur eingeschickt werden.
- WARNUNG** – Das Auslösen der Gerätesicherung kann auf einen Fehlerstrom, bedingt durch einen Gerätefehler, hinweisen. Um das Risiko von Verletzungen oder Sachschäden durch z. B. Brand oder Stromschlag zu minimieren, prüfen Sie, ob spannungsführende Teile oder andere Komponenten des Gerätes beschädigt sind. Im Falle einer Beschädigung, müssen diese Teile fachgerecht ausgetauscht werden.

WARNUNG! – Missachtung der folgenden Anweisungen kann Verletzungen verursachen oder zu Beschädigungen am Gerät führen.

SICHERHEIT

Bei einem Konflikt zwischen EMV- und Sicherheitsbestimmungen, haben die personenbezogenen Sicherheitsbestimmungen immer Vorrang.

- Führen Sie niemals Hochspannungs-Festigkeitsüberprüfungen an der Verdrahtung durch, ohne vorher überprüft zu haben, dass der Antrieb spannungslos und vom Stromkreis sicher getrennt ist.
- Vergewissern Sie sich, dass die Belüftung ausreichend ist und installieren Sie zusätzliche Sicherheitssysteme, um Beschädigungen des Geräts vorzubeugen.
- Beim Austauschen eines Antriebs in einer Applikation ist darauf zu achten, dass vor dem Einschalten alle anwendungs-spezifischen Parameter korrekt installiert wurden.
- Alle Steuer- und Signalanschlussklemmen sind sicherheitskleinspannungsfest, durch doppelte Isolation geschützt. Stellen Sie sicher, dass alle externen Leitungen für die höchste Systemspannung ausgelegt sind.
- Im Motor vorhandene Temperatursensoren müssen mindestens basisisoliert sein.
- Alle berührbaren metallischen Teile des Geräts sind durch eine Basisisolierung und Anschluss an einen Schutzleiter abgesichert.
- Der Einsatz von FI-Schutzschaltern wird nicht empfohlen. Ist ihre Verwendung dennoch vorgeschrieben, verwenden Sie FI-Schalter Typ B (EN61009).

EMV

- Im Betrieb kann dieses Gerät EMV- STÖRUNGEN hervorrufen, gegen die der Betreiber gegebenenfalls die erforderlichen Gegenmaßnahmen treffen muss.
- Das Gerät enthält Bauteile, die für elektrostatische Entladung anfällig sind. Treffen Sie entsprechende Schutzmaßnahmen, wenn Sie das Gerät installieren, bedienen und warten.
- Dies ist ein Produkt der eingeschränkten Vertriebsklasse nach IEC 61800-3. Es ist als „professionelle Ausrüstung“ bezeichnet wie in EN61000-3-2 für die Baugröße D definiert. Bevor es mit öffentlichen Niederspannungsnetz verbunden wird, muss die Genehmigung der Versorgungsbehörde eingeholt werden. Oberschwingungen der Baugrößen E bis N entsprechen den Grenzwerten der IEC6100-3-12:2011 (Tabelle 4).

WARNUNG! – Aus- und Einbauen des Steuergerätes

Trennen Sie das Gerät vom Netz, ehe Sie das Steuergerät vom Leistungsteil abziehen oder in diesen einstecken.

ACHTUNG!

ANWENDUNGSRISIKO

- Die Spezifikationen, Beispiele und Schaltungen, wie sie in diesem Handbuch beschrieben sind, dienen nur als Richtlinie und bedürfen gegebenenfalls einer kundenspezifischen Anpassung. Das Anpassen an anwenderspezifische Anlagen oder Systeme liegt außerhalb des Verantwortungsbereichs von Parker Hannifin.

RISIKOBEURTEILUNG

Bei Störungen, Netzspannungsausfall, Gerätefehlern oder sonstigen unbeabsichtigten Betriebsbedingungen besteht die Möglichkeit, dass das Gerät nicht spezifikationsgemäß funktioniert. Im Einzelnen bedeutet dies:

- die im Gerät gespeicherte Energie ist nicht abgebaut worden und es können noch gefährliche Spannungen anliegen, auch wenn das Gerät ausgeschaltet ist.
- die Motordrehrichtung lässt sich nicht steuern
- die Motordrehzahl kann nicht geregelt werden
- der Motor steht unter Spannung

Ein Umrichter/Stromrichter ist eine Komponente in einem System, die im Fehlerfall die Funktion der Anlage beeinflussen kann. Auf folgendes ist besonders zu achten:

- ungewolltes Schalten
- gespeicherte Energie im Antrieb
- unkontrolliertes Drehen
- Ablauflogik im System

SCHNELLSTARTANLEITUNG

ERSTE SCHRITTE

In diesem Dokument werden die Schritte beschrieben, die Sie zur Vorbereitung der Inbetriebnahme des AC30-Antriebs durchführen müssen. Die Inbetriebnahme des Antriebs sollte von qualifizierten Elektrotechnikern vorgenommen werden, die mit AC-Antrieben und deren Anwendungen vertraut sind. Ausführliche Informationen zu Aufstellung, Sicherheit und Anwendungen finden Sie im AC30-serie Produkthandbuch:

1. HA503711U001 – AC30 Baureihe - Handbuch zur Hardware-Inbetriebnahme: Baugrößen D - J.
2. HA503711U002 – AC30 Baureihe - Handbuch zur Hardware-Inbetriebnahme: Baugröße K - N.
3. HA503711U003 – AC30 Baureihe Software-Referenzhandbuch.

Bei der Installation des Antriebs müssen alle geltenden örtlichen elektrischen Vorschriften beachtet werden. Vergewissern Sie sich, dass alle unter Spannung stehenden Bauteile zum Schutz vor elektrischen Schlägen abgedeckt sind und dass eine unerwartete Rotation des Motors keine Körperverletzungen verursachen kann.

In diesem Dokument wird davon ausgegangen, dass der Antrieb bereits am Einsatzort installiert wurde und alle relevanten Installationsprozeduren abgeschlossen sind. Sorgen Sie bitte für eine angemessene Lüftung des Antriebs, damit die Umgebungstemperatur bei normalen Betriebsbedingungen 45 °C nicht überschreitet.

Installieren Sie das Laufwerk Quicktool Parker (PDQ) nach dem Herunterladen von www.parker.com/ssd/pdq

ZU DIESER SCHNELLSTARTANLEITUNG

Diese Schnellstartanleitung:

- Macht Sie mit den Anschlüssen der Bedienung des Gerätes vertraut.
- Enthält ***grundlegende** Informationen zur Installation und eine Anleitung zur Schnelleinrichtung.
- Zeigt, wie der Selbstabgleich (Autotune) des Antriebs durchgeführt und der Motor gestartet wird.

* Da der AC30 ein Systemprodukt ist und wir Ihre Anwendung nicht kennen, beschreiben wir den schnellsten Weg, den Antrieb mit Hilfe eines einfachen Erdungsschemas mit minimaler Steuerverdrahtung einzuschalten. *Für Themen, die in diesem QuickStart nicht erwähnt sind, siehe auch HA503711U001/U002 'AC30 Baureihe Handbuch zur Hardware-Inbetriebnahme'.*

Zum Lieferumfang jedes AC30-Gerätes gehört:

- Schnellstartanleitung.

Diese Schnellstartanleitung setzt Folgendes voraus:

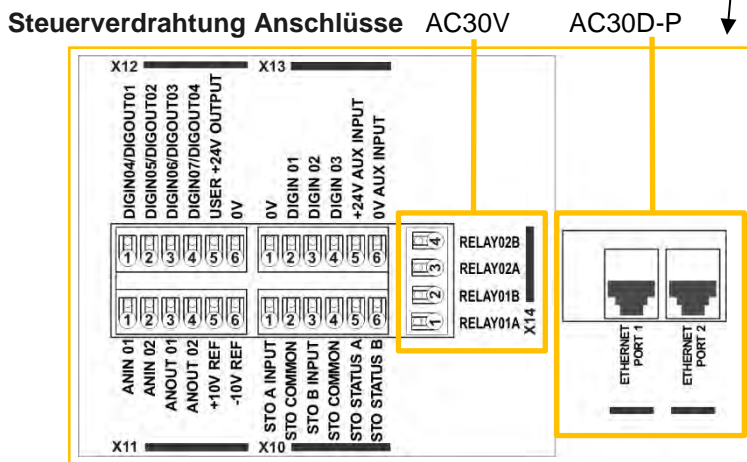
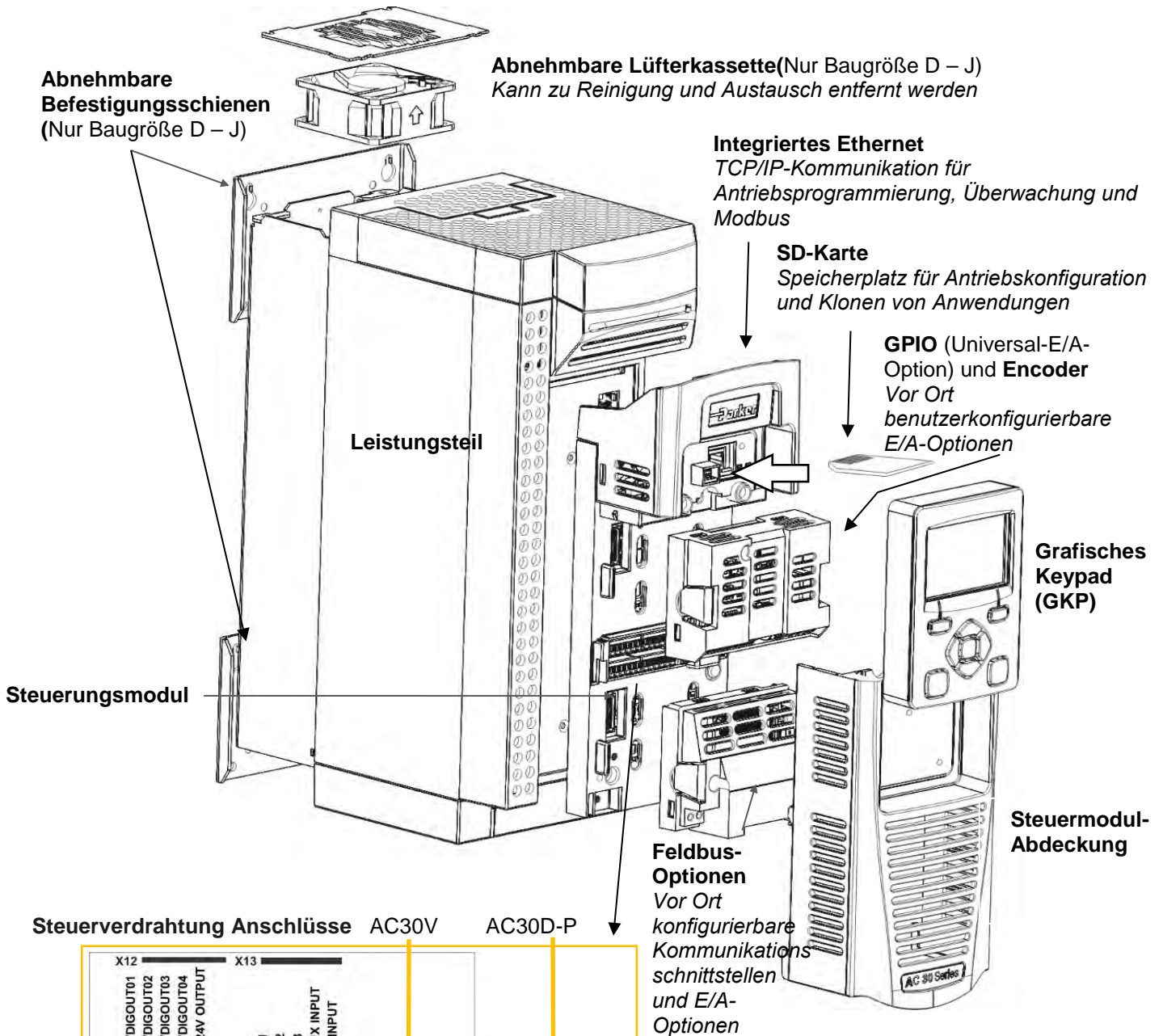
- Sie sind ein qualifizierter Techniker mit Erfahrung in der Installation von Geräten dieser Art.
- Sie sind mit den einschlägigen Normen und den über diese hinaus zu beachtenden lokalen Vorschriften für Elektroinstallationen vertraut.
- Sie haben die Sicherheitsinformationen auf der Vorderseite dieser Schnellstartanleitung gelesen und verstanden.
- Sie wissen, dass diese Anleitung nur grundlegende Informationen enthält und Sie zum Abschluss der Installation möglicherweise das AC30'serie Produkthandbuch heranziehen müssen.
- Sie verwenden nicht die Funktion „Safe Torque Off“ (STO, sicher abgeschaltetes Drehmoment) dieses Produkts und deaktivieren diese entsprechend der Anleitung in diesem Schnellstarthandbuch (siehe Seite 1-4).

Sicherheitshinweis - Bei Verwendung der STO Funktionen müssen die STO Richtlinien vollständig eingehalten werden, spezifiziert in HA503711U001/U002, Kapitel 8: Sicher abgeschaltetes Moment SIL3/PLe'.

ÜBERSICHT

AC30V, AC30P, AC30D
 Baugröße D, E, F, G, H, J, K

AC30V Darstellung Baugröße E

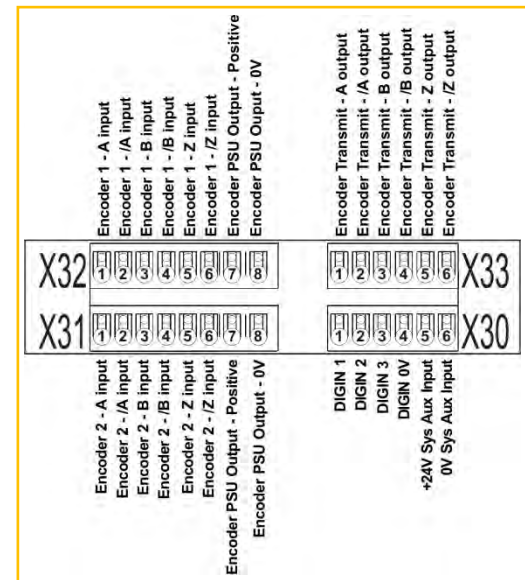


Safe Torque Off

Zum Deaktivieren von STO:
 Verbinden Sie X12/05 mit X10/01 und X10/03.
 Verbinden Sie X12/06 mit X10/04.

Um die STO-Funktion zu verwenden, muss der Anwender Kapitel 8 des AC30 Produkthandbuchs HA503711U001/U002 vollständig gelesen und verstanden haben.

Systems Anschlussverbindungen AC30D nur

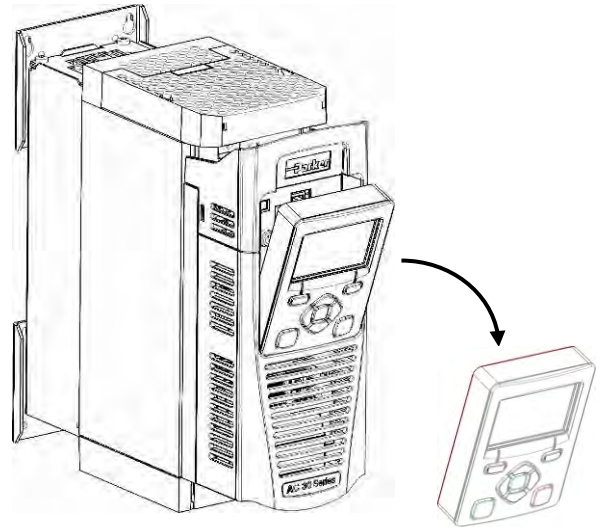
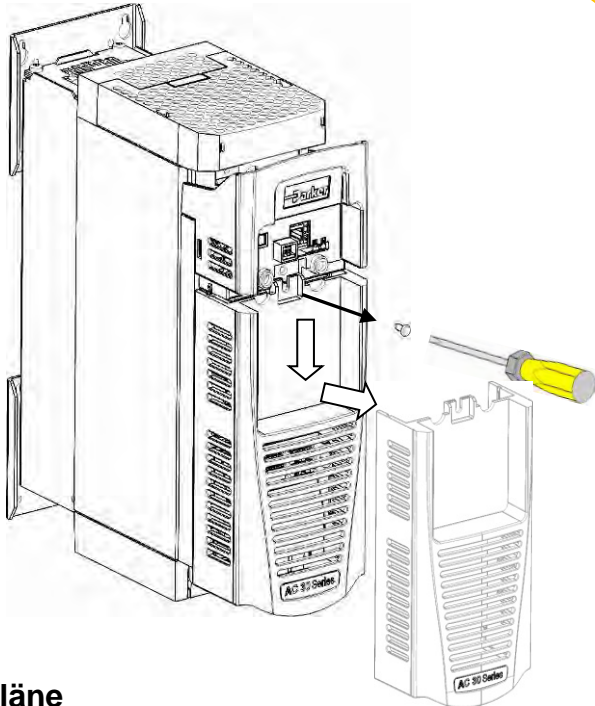


Entfernen der Steuermodulabdeckung

Um Zugriff auf die Steuerverdrahtung gewinnen, und SD-Karte, entfernen Sie zunächst die Steuermodulabdeckung wie folgt:

Entfernen Sie zunächst das GKP, indem Sie dieses nach unten ziehen und abnehmen.

Lösen Sie die Halterungen für die Montage mit Einbausatz.



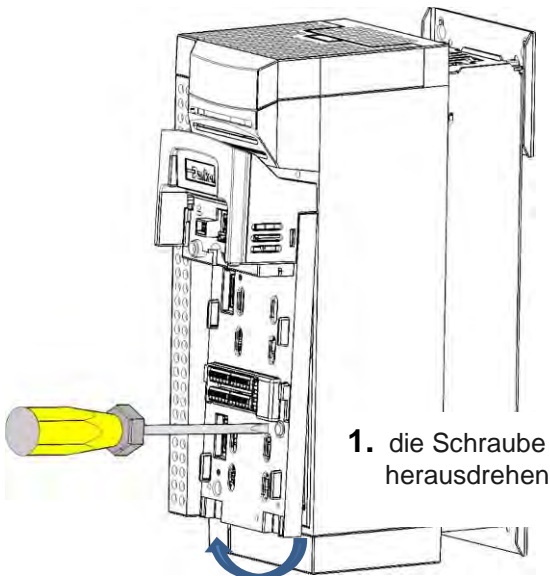
Lösen Sie die Schraube, schieben Sie die Steuermodulabdeckung etwas nach unten und nehmen Sie sie dann ab.

Schaltpläne

Schaltpläne und Blockdiagramme finden Sie in Kapitel 6 „Anwendungen“.

Entfernen des Steuermoduls

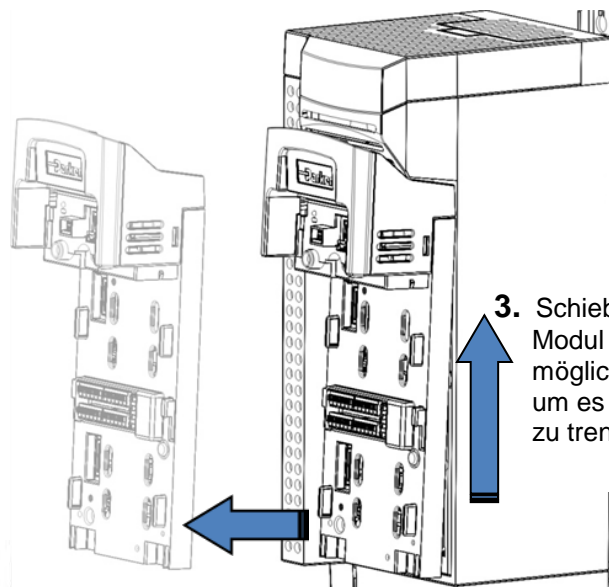
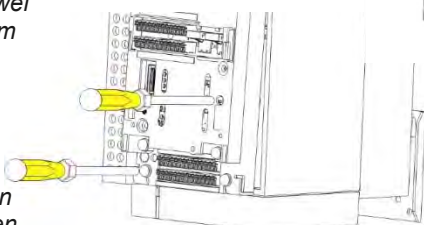
WARNUNG: Trennen Sie das Gerät vom Netz, bevor Sie das Steuergerät in das Leistungsteil einstecken oder es davon abziehen.



1. die Schraube herausdrehen

2. Heben Sie die untere Abdeckung des Geräts an.

Beachten Sie, dass es zwei Schrauben verwendet, um die AC30D Steuermodul beizubehalten. Die Kommunikationsoption, falls vorhanden, sollte vorübergehend eine der beiden Schrauben für den Zugriff auf entfernt werden.



3. Schieben Sie das Modul so weit wie möglich nach oben, um es von der Einheit zu trennen.

4. Nehmen Sie das Modul von der Power Stack-Einheit heraus

Entfernen der oberen und unteren Abdeckung

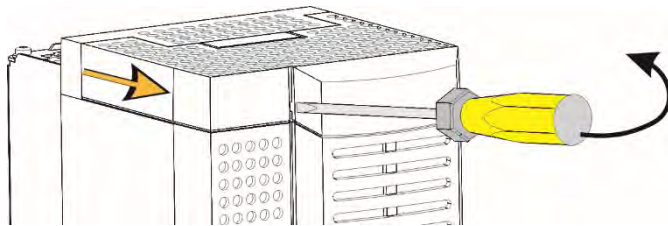
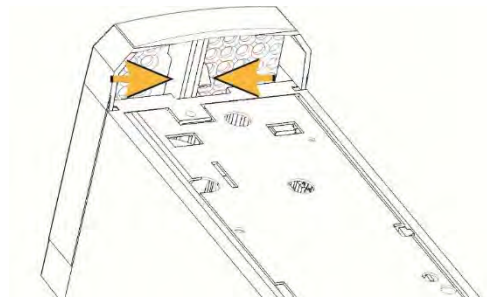
WARNUNG - Trennen Sie die Versorgung und stellen Sie sicher, dass die Restenergie entladen ist, bevor Sie die Klemmenabdeckungen entfernen.

Obere Abdeckung

Die obere Klemmenabdeckung muss entfernt werden, um das DC-Link-Eingangskabel oder Bremskabel an den Umrichter anzuschließen.

Baugröße D:

1. Steuermodul entfernen.
2. Halterung zusammendrücken.
3. Abdeckung nach oben schieben, um sie zu entfernen.

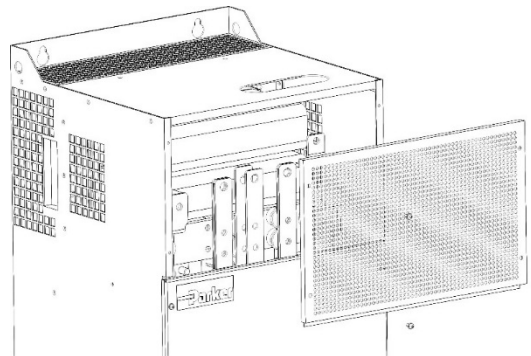


Baugröße E - J:

1. Schraubendreher in den Schlitz einführen.
2. Zum Entsichern nach rechts drücken.
3. Abdeckung nach oben schieben, um sie zu entfernen.

Baugröße K - N:

1. Befestigungen lösen.
Nur an Baugröße K muss die Frontplatte zuerst entfernt werden.

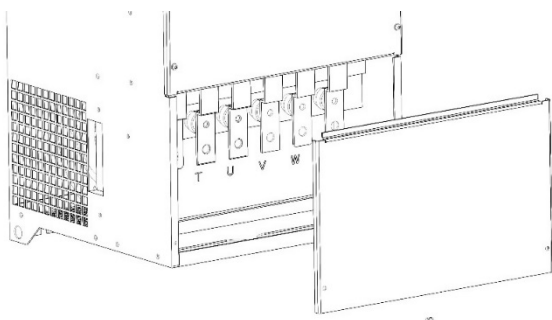
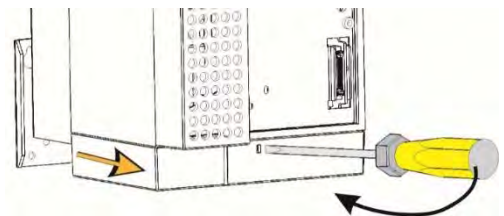


Untere Abdeckung entfernen

Die untere Klemmenabdeckung muss entfernt werden bevor AC Eingangskabeln an oder Motorausgangskabel vom Umrichter angeschlossen werden.

Baugröße D - J:

1. Schraubendreher in den Schlitz einführen.
2. Zum Entsichern nach links drücken.
3. Abdeckung nach oben schieben, um sie zu entfernen.



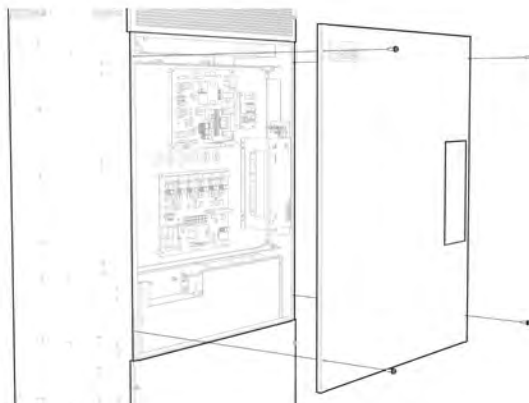
Baugröße K - N:

1. Befestigungen lösen.

Instruktionen zum Entfernen der Frontabdeckung (nur Baugröße K - N)

WARNUNG - Trennen Sie die Versorgung und stellen Sie sicher, dass die Restenergie entladen ist, bevor Sie die Frontabdeckung entfernen.

Die Frontplatte des Umrichters muss entfernt werden, um auf Auswahlplatine zur Lüfterspannung zugreifen zu können. Der Installateur sollte überprüfen, ob der Lüfter auf die richtige Netzspannung eingestellt ist. Das Entfernen dieser Platte ermöglicht auch den Zugriff auf die Platine des AC Netzfilters, insbesondere auf die Trennschalter Y-Cap und VDR.



Auswahl der Lüfterspannung (nur Baugröße K - N)

Sobald die Frontplatte entfernt ist, stellen Sie bitte sicher, dass die Auswahlverbindung für die Lüfterversorgungsspannung entsprechend der dreiphasigen Netzspannung des Drehstromantriebs oder der DC-Versorgungsspannung des Frequenzumrichters korrekt liegt.

Wenn der Antrieb mit DC-Versorgungsspannung versorgt wird, ist eine externere 220 VAC Hilfsspannung erforderlich, um die Lüfter der Hauptkühlkanäle mit Strom zu versorgen. Dies muss auf den Anschlussblock TB1 verdrahtet werden.

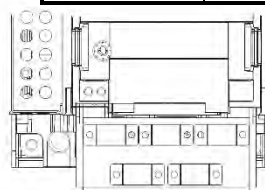
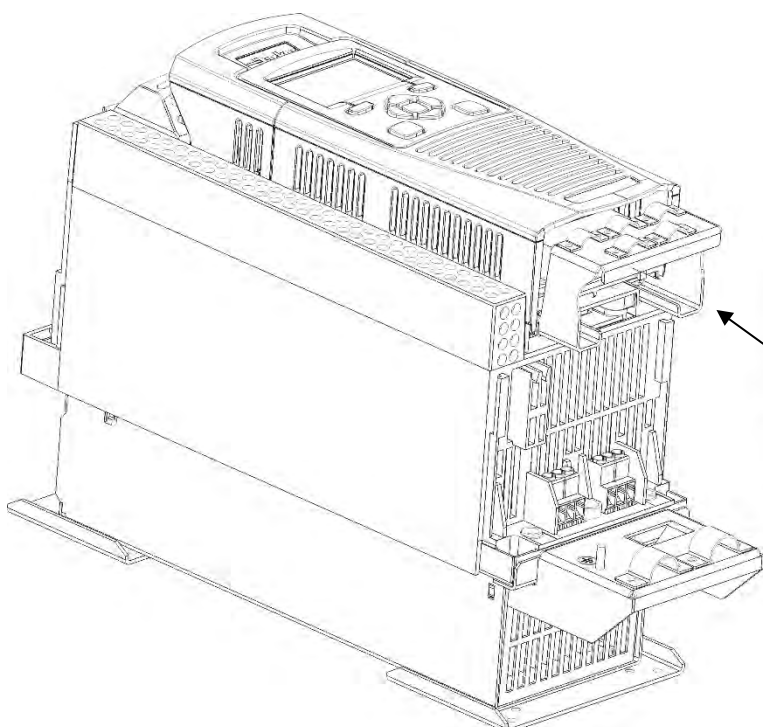
Netzversorgung	Link Position
380-420VAC	PLG4
440-480VAC	PLG5
510-650VDC	PLG6

Kabelhalterung für Steuer- & Hauptkabel (nur Baugröße D - J)

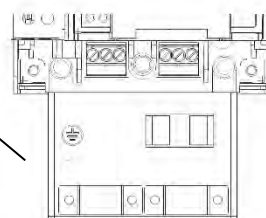
Sobald die untere Abdeckung entfernt ist können sie die Kabelhalterungen bei Bedarf einbauen. Bei C2 gefilterten Produkten sind Kabelhalterungen Standard, da sie zur Positionierung der Ausgangsringkerne verwendet werden. Sie können bei Parker unter folgender Artikelnummer bezogen werden:

Abbildung AC30V Baugröße E

Baugröße	Artikelnummer Kabelhalterungs-Kit	
	Direktmontage	Durchsteckmontage
D	LA501935U001	LA503117U001
E	LA501935U002	LA503117U002
F	LA501935U003	LA503117U003
G	LA501935U004	LA503117U004
H	LA501935U005	LA503117U005
J	LA501935U006	Nicht verfügbar
AC30D	LA501935U007	



Kabelhalterung Steuerkabel



Kabelhalterung Hauptkabel

Stromversorgungsanschlüsse

WARNUNG - Trennen Sie die Versorgung und stellen Sie sicher, dass die Restenergie entladen ist, bevor Sie das Produkt verdrahten.

Bezüglich korrekter Anzugsdrehmomente und empfohlener Kabelgrößen, siehe HA503711U001/U002 'Kapitel 4: Einbau - Leistungsteil.

Verdrahtungsdetails – AC Netzversorgung 710 Endstufe

Schließen Sie die ankommenden dreiphasigen Versorgungskabel an die Klemmen L1, L2 und L3 an. **Die Phasendrehung ist unkritisch.**

Schließen Sie die dreiphasigen Motorkabel ebenfalls an die Klemmen U, V & W an. Die Phasendrehung ist wichtig, um die Konsistenz zwischen der Motorsteuerrichtung des Umrichters und der Motorwellendrehung zu gewährleisten.

Schließen Sie sowohl die ankommende Versorgungserde als auch die Motorerde an die PE-Klemmen des Umrichters an.



Wo Ausgangsringskerne beim Einbau eines C2 Filterprodukt notwendig sind:

1. Den Ausgangsringskern in der Aussparung der Kabelhalterung positionieren.
2. Die drei Motorversorgungsleitungen durch die Ringkernmitte stecken, wenn Sie diese an die Umrichterklammern U, V & W anschließen.

Hinweis: Die Erdverbindung verläuft nicht durch die Ringkernmitte.

3. Die Kabelklammern, die mit der Kabelhalterung geliefert werden, sollten zum Ankleben auf dem freiliegenden Kabelschirm verwendet werden, um einen 360° Anschlusspunkt für den Schirm zu schaffen.

Verdrahtungsdetails – DC Netzversorgung 740 Endstufen

Die DC Versorgungskabel an die Klemmen DC+ bzw. DC- anschließen. Es ist wichtig, diese Anschlüsse nicht zu vertauschen.



Schließen Sie die dreiphasigen Motorkabel ebenfalls an die Klemmen U, V & W an. Die Phasendrehung ist wichtig, um die Konsistenz zwischen der Umrichtersteuerrichtung und der Motorwellendrehung zu gewährleisten.

Bei der Verdrahtung eines Umrichters als AFE, werden die Klemmen U, V & W zum Anschluss an die Drehstromnetz verwendet.

Erden Sie sowohl die Umrichter- als auch die Motorerde (oder Eingangsversorgung bei AFE Anwendung) an den PE-Klemmen des Umrichters.



Dynamischer Bremswiderstand

WARNUNG - Trennen Sie die Versorgung und stellen Sie sicher, dass die Restenergie entladen ist, bevor Sie das Produkt verdrahten.

Dynamische Bremswiderstände werden in der Regel dann eingesetzt wenn in einer Anwendung rückgespeiste Leistung vom Motor abgeführt werden muss.

Die AC30 Baugößen D - K sind serienmäßig mit einem internen Bremsschalter ausgerüstet, der für den Anschluss an einen externen dynamischen Bremswiderstand vorbereitet ist.

Verdrahtungsdetails

Wenn ein dynamischer Bremswiderstand (DBR) für eine Umrichter-anwendung erforderlich ist, verbinden Sie ihn über die Klemmen DB+ & DB (Baugrößen D - J) oder die Klemmen DC+ & DB (nur Baugröße K).



WARNUNG

Schließen Sie keine externen Spannungsquellen an (Spannungsversorgung oder andere) an die Bremsklemmen: DB+, DB. Dies könnte den Antrieb und das Gerät beschädigen und zu Personenschäden führen.

Interne Filtertrennung

WARNUNG



Stellen Sie sicher, dass alle Leitungen elektrisch isoliert sind und nicht unter Spannung stehen. Die Filterklemmen oder Kabel mindestens 3 Minuten nach Trennung der AC oder DC Zufuhr nicht berühren.

Eine vollständige Anleitung, wie man einen EMV Filter trennt finden Sie unter HA503711U001/U002 'Kapitel 4: Einbau - Leistungsteil'.

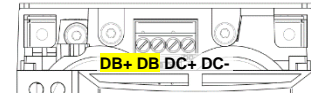
Nennleistung

Siehe HA503711U001/U002/U003 'Anhang D: Produktschlüssel der AC30 Baureihe zum Verständnis des Produktschlüssels'.

Bestellschlüssel	Nennleistung bei Normalbetrieb				Nennleistung bei Überlastbetrieb				Baugröße
	400Vac		460Vac		400Vac		460Vac		
	kW	O/P Strom Aeff	hp	O/P Strom Aeff	kW	O/P Strom Aeff	hp	O/P Strom Aeff	
380-480Vac (±10%) dreiphasige Versorgung / 510-650Vdc Versorgung									
710-4D0004-B2-0S-0000	1,1	3,5	1,5	3	0,75	2,5	1	2,1	D
710-4D0006-B2-0S-0000	2,2	5,5	3	4,8	1,5	4,5	2	3,4	D
710-4D0010-B2-0S-0000	4	10	5	7,6	3	7,5	-	-	D
710-4D0012-B2-0S-0000	5,5	12	7,5	11	4	10	5	7,6	D
710-4E0016-B2-0S-0000	7,5	16	10	14	5,5	12	7,5	11	E
710-4E0023-B2-0S-0000	11	23	15	21	7,5	16	10	14	E
710-4F0032-B2-0S-0000	15	32	20	27	11	23	15	21	F
710-4F0038-B2-0S-0000	18,5	38	25	36	15	32	20	27	F
710-4F0045-B2-0S-0000	22	45	30	40	18,5	38	25	36	F
710-4G0045-B2-0S-0000	22	45	30	40	18,5	38	25	36	G
710-4G0060-B2-0S-0000	30	60	40	52	22	45	30	40	G
710-4G0073-B2-0S-0000	37	73	50	65	30	60	40	52	G
710-4H0087-B2-0S-0000	45	87	60	77	37	73	50	65	H
710-4H0105-B2-0S-0000	55	105	75	96	45	87	60	77	H
710-4H0145-B2-0S-0000	75	145	100	124	55	105	75	96	H
710-4J0180-B2-0S-0000	90	180	125	156	75	145	100	124	J
710-4J0205-B2-0S-0000	110	205	150	180	90	180	125	156	J
710-4J0260-B2-0S-0000	132	260	200	240	110	205	150	180	J
710-4K0315-B2-0S-0000	160	315	250	302	132	260	200	240	K
710-4K0380-B2-0S-0000	200	380	300	361	160	315	250	302	K
710-4K0440-B2-0S-0000	250	440	350	414	200	380	300	361	K
710-4L0530-N2-0S-0000	280	530	450	520	250	480	400	480	L
710-4L0590-N2-0S-0000	315	590	500	590	280	530	450	520	L
710-4M0650-N2-0S-0000	355	650	550	650	315	590	500	590	M
710-4M0700-N2-0S-0000	400	700	600	680	355	650	550	640	M
710-4N0790-N2-0S-0000	450	790	650	770	400	700	600	700	N

1	Gerätefamilie
1	AC Netzversorgung, IP20
4	DC gespeist, IP20
2	EMV Filter
N	Kein integrierter Filter
E	Filter Kat. C3 integriert
F	Filter Kat. C2 integriert

Baugröße D - G:



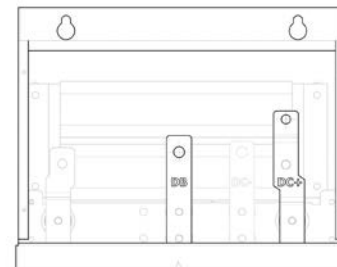
Baugröße H



Baugröße J



Baugröße K



Inbetriebnahme des Antriebs

- Lesen Sie die Sicherheitsanweisungen auf der Vorderseite der Schnellstartanleitung.
- Stellen Sie sicher, dass alle örtlichen elektrischen Vorschriften beachtet werden.
- Prüfen Sie das Gerät auf Beschädigungen.
- Prüfen Sie das Gerät auf lose Enden, Verschnitt, Schleif- und Bohrspäne usw. im Antrieb und im System.
- Prüfen Sie alle externen Stromkreise des Systems: Stromversorgungs-, Steuerungs-, Motor- und Erdungsverbindungen
- Stellen Sie sicher, dass durch die Rotation des Motors in beide Richtungen keine Schäden oder Verletzungen entstehen können. Trennen Sie wenn möglich die Last von der Motorwelle.
- Überprüfen Sie den Zustand der Motorthermistor- und Bremswiderstandanschlüsse. Stellen Sie sicher, dass die externen Laufkontakte offen sind. Stellen Sie sicher, dass alle externen Drehzahlsollwerte Null sind.
- Stellen Sie sicher, dass niemand an einem anderen Teil des Systems arbeitet, auf das sich das Einschalten auswirkt.
- Stellen Sie sicher, dass das Einschalten keine negativen Auswirkungen auf andere Geräte hat.
- Überprüfen Sie, ob die Motorstator-Anschlüsse entsprechend den Erfordernissen für die Ausgangsspannung des Antriebs korrekt für Stern- oder Dreiecksschaltung verkabelt sind.
- Stellen Sie sicher, dass die STO-Funktion deaktiviert wurde. Siehe Seite 1-4 in diesem Schnellstarthandbuch.
- **GEFAHR:** Einige Motoren sind nicht für den Betrieb mit STO geeignet. Siehe HA503711U001/U002 'Kapitel 8.

**Wenn alle Verbindungen überprüft wurden, können Sie den Motor
EINSCHALTEN**

Konfiguration des Antriebs

Siehe hierzu den Abschnitt „Erste Schritte“ auf der nächsten Seite und Kapitel 6 „Setup-Assistent“ und Anhang C in der AC30 Software Reference HA203711U003 für Informationen zum GKP-Menüs und zu Parametern.

Motordaten

Für die Konfiguration des Antriebs werden die Motordaten benötigt. Diese finden Sie auf dem Typenschild des Motors. Sie benötigen die im Folgenden aufgeführten Informationen:

Asynchronmotor

Base Volts (Basisspannung)
 Base frequency (Basisfrequenz)
 Base RPM (Basisdrehzahl)
 Full load amps (Vollaststrom)
 No load amps (mag current) (Nullaststrom)
 Anschluss (Stern- oder Dreiecksschaltung)

PMAC Motor:

PMAC max. Drehzahl (min^{-1})
 PMAC max. Strom (A)
 PMAX Nennstrom (A)
 PMAC Nennmoment (Nm)
 PMAC Motorpole
 PMAC Gegen-EMK-Konstante (V)
 PMAC Grundspannung (V)
 PMAC Wicklungswiderstand (Ohm)
 PMAC Wicklungsinduktivität (mH)
 PMAC Drehmomentkonstante KT (Nm/A)
 PMAC thermische Zeitkonstante (s)
 PMAC Motor-Trägheitsmoment (kgm^2)

Erste Schritte - GKP-Setup-Assistent

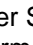
Der GKP kann fernsteuerbar installiert werden - siehe HA503711U001/U002 'Kapitel 5: Inbetriebnahme - Steuermodul' für Details.

Zweck des Setup-Assistenten

Der Zweck des Setup Wizards besteht darin, den Antrieb klar und übersichtlich zu konfigurieren.

Machen Sie sich zuerst vertraut mit HA503711U001/U002 'Kapitel 9: Dem grafischen Keypad' oder HA503711U003 'Kapitel 4: Dem grafischen Keypad' für die Keypad-Funktionen

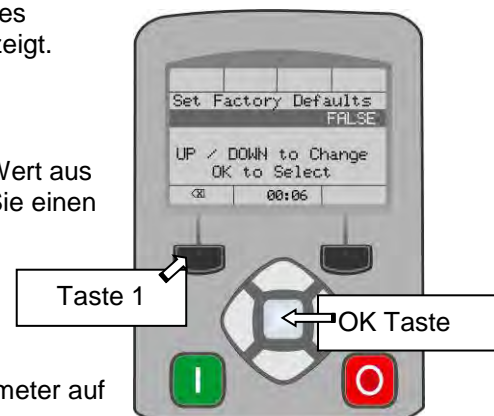
Starten des Setup-Assistenten

Der Setup-Assistent wird automatisch aufgerufen, wenn erstmals eingeschaltet. Der Setup-Assistent kann zu einem anderen Zeitpunkt durch Drücken der Set-up-Taste aufgerufen werden (). Dies basiert auf der Willkommen-Bildschirm (an der "Spitze" der Menüstruktur MMI) gezeigt.

Ausführen des Setup-Assistenten

Mit der Taste „OK“ wählen Sie an jedem Punkt des Assistenten den angezeigten Wert aus und fahren mit dem nächsten Schritt fort. Mit der **frei belegbaren Taste 1** gehen Sie einen Schritt zurück.

Mit den Tasten AUFWÄRTS und ABWÄRTS ändern Sie den ausgewählten Wert



Arbeitsschritte im Setup-Assistenten

Zunächst wird die Option „Set Factory Defaults“ angezeigt. Wenn Sie diesen Parameter auf „TRUE“ setzen und dann „OK“ drücken, werden alle Parameter auf den von der Hardwarekonfiguration des AC30 bestimmten Standardwert zurückgesetzt. Wenn Sie diese Option auf dem Wert „FALSE“ lassen, sind beim Start des Setup-Assistenten alle Parameter auf den zuvor eingestellten Werten. Wenn Sie durch Drücken der Taste „OK“ alle Werte ohne Änderung bestätigen, werden keine Änderungen an der Konfiguration des Antriebs vorgenommen.

Die weiteren Schritte des Setup-Assistenten bestehen aus mehreren Abschnitten. Jeder Abschnitt entspricht einer funktionalen Komponente des Antriebs, z. B.:

- Application selection (Anwendungsauswahl)
- IO Option (einschließlich der encoder)
- Motor Data (Motordaten)
- Motor Control (Motorsteuerung)
- Analog input and output ranges (analoge Eingangs- und Ausgangsbereiche)
- Fieldbus options (Feldbus-Optionen)
- On-board Ethernet (integriertes Ethernet)
- Autotune (Selbstabgleich)

Sie können alle Abschnitte überspringen, in denen keine Änderungen vorgenommen werden müssen.

Die Standardeinstellungen aller Parameter hängen von früheren Antworten und der physischen Konfiguration des Laufwerks ab. Alle eingegebenen Daten werden ohne zusätzliche Befehle automatisch gespeichert.

Abschließen der Konfiguration

Nach dem Abschluss des Setup-Assistenten wird die Funktion automatisch deaktiviert. Beim nächsten Start des Antriebs wird der Setup-Assistent nicht wieder aufgerufen. (Wenn Sie den Setup-Assistenten erneut starten wollen, können Sie dies entsprechend der Anleitung im obigen Abschnitt „Starten des Setup-Assistenten“ tun).

Weiterführende Details finden Sie in HA503711U003 'Kapitel 6: Setup Wizard'.

Ethernetverbindungen

Anschließen und Trennen des Ethernet-Kabels.

Siehe HA503711U003 'Kapitel 8: Ethernet' für diese Information.

KONFORMITÄT

Im vollständigen AC30-serie Produkthandbuch ist ein umfassender Führer zur Produktkonformität enthalten.

Warnung – Wenn EMV- und Sicherheitsbestimmungen nicht vereinbar sind, erhält die Sicherheit des Personals stets Priorität.

Voraussetzung für den Betrieb dieses Geräts ist die detaillierte Kenntnis der Installations- und Betriebsanweisungen des Produkthandbuchs.

Achtung: Dies ist ein Produkt der eingeschränkten Vertriebsklasse nach IEC 61800-3. Es ist als „professionelle Ausrüstung“ bezeichnet wie in EN61000-3-2 für die Baugröße D definiert.

Bevor es mit öffentlichen Niederspannungsnetz verbunden wird, muss die Genehmigung der Versorgungsbehörde eingeholt werden.

Oberschwingungen der Baugrößen E bis N entsprechen den Grenzwerten der IEC6100-3-12:2011 (Tabelle 4).

Im Wohnbereich kann dieses Produkt Funkstörungen verursachen. In diesem Fall sind zusätzliche Schutzmaßnahmen zu ergreifen.

Dieses Gerät enthält Teile, die empfindlich auf elektrostatische Entladungen (ESD) reagieren. Es sind deshalb Vorkehrungen zu treffen, die bei der Handhabung, Installation und Wartung dieses Produkts die Bildung elektrostatischer Ladung begrenzen.

EMV-Emissionen

Störemissionen entsprechen den EN61800-3 Kategorien C1, C2 und C3 bei Einbau gemäß den Anweisungen in HA503711U001/U002 'Kapitel 4: Einbau - Leistungsteil'.

Leitungsgeführte Emissionen entsprechen EN61800-3, Kategorie C3 und C2 ohne externen Filter und Kategorie 1 mit dem angegebenen externen Filter (siehe HA503711U001/U002 'Anhang A').

Die Störfestigkeit entspricht den Anforderung von EN61800-3 für Geräte, die zur Verwendung in der zweiten Umgebung vorgesehen sind.

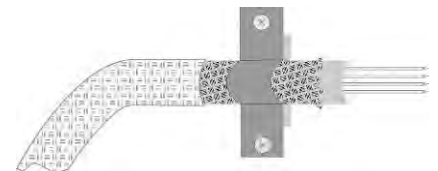
EMV-Anschlüsse

Um die Konformität mit den EMV-Anforderungen zu gewährleisten, muss die Klemme „0V/signal ground“ (0V/Signalerde) separat geerdet werden. Wenn mehrere Geräte in einem System zum Einsatz kommen, müssen diese Klemmen an einem zentralen, lokalen Erdungspunkt miteinander verbunden werden.

Für Steuer- und Signalanschlüsse müssen geschirmte Kabel verwendet werden, wobei die Abschirmung nur am VSD-Ende angeschlossen wird. Wenn jedoch nach wie vor Hochfrequenzrauschen auftritt, erden Sie die Abschirmung am anderen Ende (nicht VSD) über einen 0,1-Kondensator.

Hinweis: Die Steuer- und Signalabschirmungen (am VSD-Ende) sind mit der VSD-Schutzerde und nicht mit den Klemmen an der Schalttafel zu verbinden.

Die Motorkabel sollten über eine 360°-Verbindung verfügen, damit ein niederohmiger Anschluss gewährleistet werden kann (siehe nebenstehende Abbildung).



Planung der Kabelführungen

Verwenden Sie möglichst kurze Motorkabel.

Verwenden Sie eine einzige Kabellänge zu einem Sternverbindungsplatz für die Versorgung mehrerer Motoren.

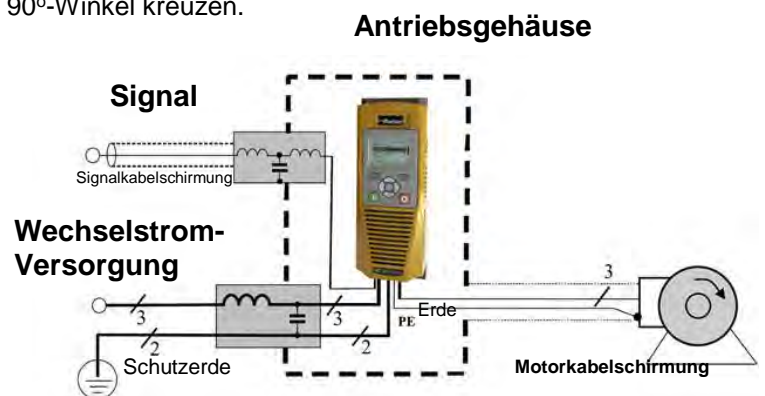
Elektrische Störgeräusche verursachende Kabel und besonders empfindliche Kabel sollten separat verlegt werden. Wenn das nicht möglich ist, muss bei parallelen Kabelführungen ein Mindestabstand von 0,25 Meter eingehalten werden, bei Kabellängen über 10 Meter muss die Entfernung proportional vergrößert werden.

Empfindliche Kabel müssen rauschintensive Kabel im 90°-Winkel kreuzen.

Empfindliche Kabel sind niemals in der Nähe des Motors, der Gleichstromleitung und der Brems-Schopper-Schaltung bzw. parallel dazu, auch nicht über kurze Strecken zu verlegen.

Niemals dürfen Versorgungs-, Gleichstrom- oder Motorkabel im gleichen Kabelstrang wie die Signal-/Steuer- und Rückleitungskabel geführt werden, auch wenn sie über eine Abschirmung verfügen.

Es ist sicherzustellen, dass EMV-Filterein- und -Filterausgangskabel separat verlegt werden und kein Kontakt am Filter entsteht.



Beispiel AC Fed Inverter gezeigt.

Chapter 3 Français

Informations de Sécurité

LA DEFAILLANCE OU L'UTILISATION DE MANIERE INCORRECTE OU NON CONFORME A SA DESTINATION DU PRODUIT DECRIT DANS CE DOCUMENT PEUT CAUSER UN RISQUE DE BLESSURE OU DE MORT POUR L'UTILISATEUR OU DE DOMMAGE MATERIEL

Ce document et autres informations, de Parker-Hannifin Corporation ses filiales et distributeurs autorisés, contient les informations produits ou systèmes pour de plus amples investigations de l'utilisateur ayant une expertise technique.

L'utilisateur, à l'aide de sa propre analyse et de ses tests, est seul responsable de la sélection des composants et du système et assume que toutes les performances, l'endurance, la maintenance, la sécurité et les précautions requises par l'application sont atteintes. L'utilisateur doit analyser tous les aspects de l'application, suivre les standards industriels applicables, et suivre les informations contenues dans le catalogue courant du produit et dans toutes les autres informations fournies par Parker ou ses filiales ou ses distributeurs autorisés.

Dans la mesure où Parker ou ses filiales ou ses distributeurs autorisés fournissent des composants ou des options basées sur des données ou des spécifications fournies par l'utilisateur, l'utilisateur est responsable afin de déterminer que les données et spécifications sont appropriées et suffisantes pour toutes les applications et les utilisations raisonnablement prévisibles des composants ou du système.

Exigence

IMPORTANT: Veuillez lire ces consignes de sécurité avant de mettre en service le variateur.

Attention – L'utilisation de cet équipement nécessite le suivi et l'utilisation des instructions fournies dans le manuel d'installation/d'utilisation de ce produit. Elles doivent être conservées avec le produit pour toute utilisation. Une copie de ces informations peut être commandée aux fournisseurs indiqués sur l'étiquette du produit.

Utilisateurs

Ce manuel doit être mis à la disposition des personnes chargées d'installer, configurer ou réparer le variateur ou qui doivent y intervenir pour toute autre raison.

Les informations données rappellent les consignes de sécurité, des considérations CEM, et permettent de tirer le meilleur parti du produit.

Domaine d'application

Le variateur décrit est destiné au pilotage de moteurs AC à induction ou moteurs AC synchrones triphasés.

Personnel

L'installation, la mise en service et la maintenance de cet équipement doivent être effectuées par du personnel qualifié. Est considérée comme qualifiée toute personne techniquement compétente et familière des consignes de sécurité, des procédures d'installation, de mise en service et de maintenance du variateur, ainsi que tous les risques inhérents à son utilisation et installation.

Avertissements du produit

	Attention – surfaces chaudes		DANGER Risque de choc électrique		Attention se référer à la documentation		Terre/Masse Borne du conducteur de protection
---	------------------------------------	---	--	---	---	---	---

Risques

DANGER! – Ne pas prendre en compte ces recommandations peut entraîner blessures ou dommages matériels

- Cet équipement peut entraîner des dangers de dommages corporels par exposition à des parties en mouvement ou tournantes et à la présence de parties sous tension.
- L'équipement doit être mis à la Terre de façon permanente à cause des forts courants de fuite. Le variateur et le moteur doivent être connectés à une Terre.
- Avant d'intervenir sur le variateur, il est nécessaire d'isoler l'alimentation des bornes L1, L2 et L3. Prendre en compte le fait qu'il peut y avoir plus d'une alimentation connectée sur le variateur.
- Il peut encore y avoir la présence des tensions dangereuses (Bornes d'alimentation, bornes moteur, bus continu (bornes DC+ et DC-), résistance de freinage) lorsque le moteur est à l'arrêt ou n'est pas en mouvement.
- Pour effectuer des mesures, utiliser un multimètre IEC 61010 (CAT III ou supérieure).
- Toujours commencer avec le calibre de mesure le plus important. Les multimètres CAT I et CAT 2 ne doivent pas être utilisés sur ce produit
- Attendre au moins 5 minutes que les condensateurs du variateur se déchargent à des niveaux non dangereux (< 50V). Utiliser le multimètre spécifié capable de mesurer des tensions de 1000V dc et ac pour vérifier que la tension est bien inférieure à 50V entre les bornes de puissance et la Terre.
- Sans aucune autre consigne, ce produit ne peut être démonté. Dans le cas où il serait en défaut, le variateur doit être retourné. Se référer à "Routine Maintenance and Repair".
- ATTENTION - l'ouverture du circuit de protection peut être une indication qu'un défaut est apparu. Pour réduire les risques d'incendie ou de choc électrique, les parties actives en courant et autres composants doivent être examinées et remplacées si détériorées.

ATTENTION! - Ne pas prendre en compte ces recommandations peut entraîner blessures ou dommages matériels

SECURITE

Quand il y a un conflit entre Sécurité et CEM, la sécurité du personnel est toujours prioritaire

- Ne jamais effectuer de contrôle au mégohmmètre sans déconnecter le variateur du circuit testé.
- Tout en assurant une ventilation suffisante, prévoir des dispositifs de sécurité additionnels afin de prévenir toute blessures ou dommages matériels.
- Lors du remplacement du variateur, veiller à bien re-régler tous les paramètres du variateur avant son utilisation.
- Toutes les connexions sont SELV, i.e. protégées par une double isolation.
- S'assurer que toutes les connexions externes sont dimensionnées pour la tension système la plus haute.
- Les sondes thermiques moteurs doivent être au minimum en isolation simple.
- Toutes les parties métalliques exposées du variateur sont protégées par une isolation simple et une mise à la terre.
- Les détecteurs de défaut à la terre ne sont pas recommandés avec ce variateur. Si leur utilisation est obligatoire, il est conseillé d'utiliser des détecteurs de défaut d'isolement de type B.

CEM

- Dans un environnement domestique, ce produit peut causer des interférences radio. Dans ce cas, des mesures complémentaires peuvent être nécessaires.
- Ce produit contient des composants sensibles aux décharges électrostatiques (DES). Observer des précautions de manipulations lors de la manutention, l'installation et la mise en route du produit.
- Il s'agit d'un produit classé pour vente et distribution limitées au titre de la norme CEI 61800-3. Il s'agit d'un « matériel professionnel » EN61000-3-2 pour les châssis de taille D. L'autorisation de l'organisme d'approvisionnement est nécessaire avant tout branchement à l'alimentation basse tension. Les courants harmoniques des châssis de taille E à N sont conformes aux seuils de la norme CEI 6100-3-12:2011 (tableau 4).

ATTENTION ! – Installation/démontage de l'unité de commande

Coupez la source d'alimentation avant de brancher ou de débrancher l'unité sur la pile d'alimentation.

ATTENTION!

RISQUES DE L'APPLICATION

- Les spécifications, processus et câblages décrits ci-après sont donnés à titre indicatif. Il peut être nécessaire de les adapter pour répondre aux besoins spécifiques d'un utilisateur. Nous ne pouvons garantir que le variateur présenté convient à toutes les applications envisageables.

ESTIMATION DES RISQUES

En cas de défaut, perte accidentelle d'alimentation ou de certaines conditions de fonctionnement, le variateur peut ne pas fonctionner comme prévu.

En particulier :

- L'énergie stockée peut ne pas être à des niveaux non dangereux comme prévu, et peut toujours être présente même si le variateur n'est plus alimenté.
- Le sens de rotation du moteur peut ne pas être contrôlé.
- La vitesse du moteur peut ne plus être contrôlée.
- Le moteur peut être sous tension.

Un variateur est un composant d'un système qui peut influencer son fonctionnement et ses effets lorsqu'il est en défaut.

Il faut prendre en considération :

- L'énergie stockée
- La déconnexion des alimentations
- la séquence logique

DÉMARRAGE RAPIDE

AVANT DE DÉMARRER

Ce document couvre les étapes nécessaires pour un démarrage de base du variateur série AC30. Les démarrages du variateur doivent être effectués par des techniciens électriques qualifiés qui connaissent parfaitement les variateurs CA et leurs applications. Pour obtenir plus d'informations sur l'installation, la sécurité et les applications, consultez le manuel du produit série AC30, réf.:

1. Manuel d'installation du matériel HA503711U001 – AC30 : Châssis D - J.
2. Manuel d'installation du matériel HA503711U002 – AC30 : Châssis K - N.
3. Manuel de référence du logiciel HA503711U003 – AC30.

Lors de l'installation du variateur, assurez-vous que toutes les normes électriques locales sont respectées. Vérifiez que toutes les parties sous tension sont couvertes pour vous protéger contre les chocs électriques et que la rotation accidentelle du moteur n'entraînera ni dommages corporels ni blessures.

Ce document prévoit que le variateur est déjà installé à l'emplacement prévu et que toutes les procédures d'installation appropriées ont été suivies. Vérifiez que le variateur est correctement ventilé afin que la température ambiante ne dépasse pas 45°C (112°F) dans des conditions normales de fonctionnement.

Installez le lecteur Quicktool Parker (PDQ) après l'avoir téléchargé à partir de www.parker.com/SSD/PDQ

À PROPOS DE CE GUIDE DE DEMARRAGE RAPIDE

Ce guide de démarrage rapide vise à :

- vous familiariser avec les bornes et le fonctionnement de l'unité.
- fournir des informations d'installation de base* et indiquer la procédure de réglage rapide.
- vous indiquer comment régler automatiquement le variateur et démarrer le moteur.

** AC30 est un produit système et nous ne connaissons pas votre application. Nous indiquons donc la façon la plus rapide de mettre ce variateur sous tension avec une mise à la terre simple et un minimum de câbles de commande. Pour obtenir plus d'informations, consultez le manuel d'installation du matériel HA503711U001/U002 - AC30.*

Chaque unité AC30 est livrée avec :

- le guide de démarrage rapide ;

Ce guide de démarrage rapide suppose que :

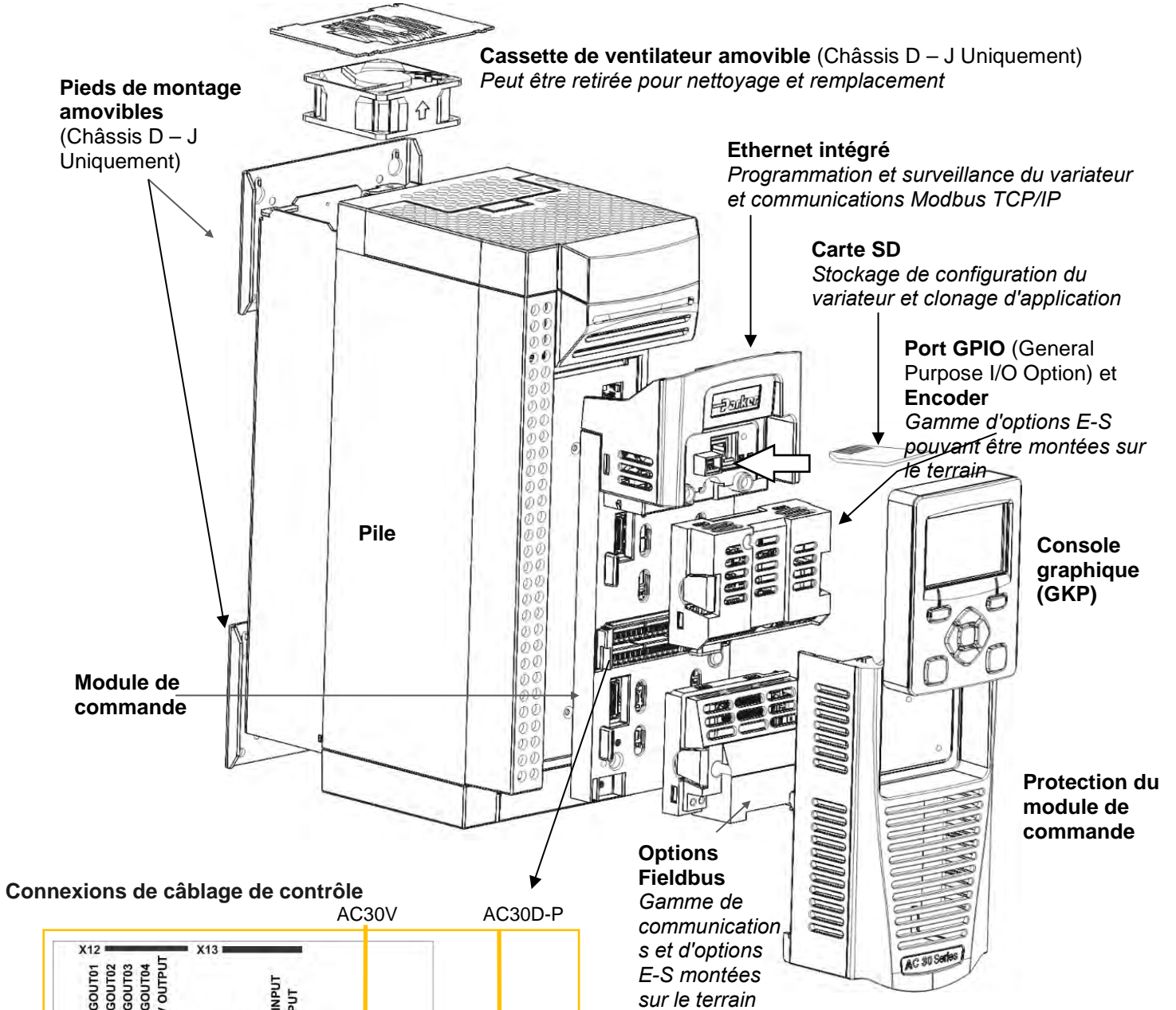
- vous êtes un technicien qualifié et expérimenté dans l'installation de ce type d'équipements ;
- vous avez une bonne connaissance des normes en vigueur et des codes électriques locaux (qui prévalent) ;
- vous avez lu et compris les informations de sécurité fournies au début de ce guide ;
- vous avez conscience que ce guide ne contient que des informations de base et qu'il peut s'avérer nécessaire de consulter le manuel du produit AC30 pour réaliser votre installation ;
- vous n'utilisez pas la fonction STO (Safe Torque Off) de ce produit et vous l'avez désactivée comme indiqué dans ce manuel (voir page 1-4).

Note de sécurité : L'utilisation de la fonction STO requiert le strict respect des instructions STO présentées dans le document HA503711U001/U002, chapitre 8 : Safe Torque Off (Absence sûre du couple) (STO) SIL3/PLe.

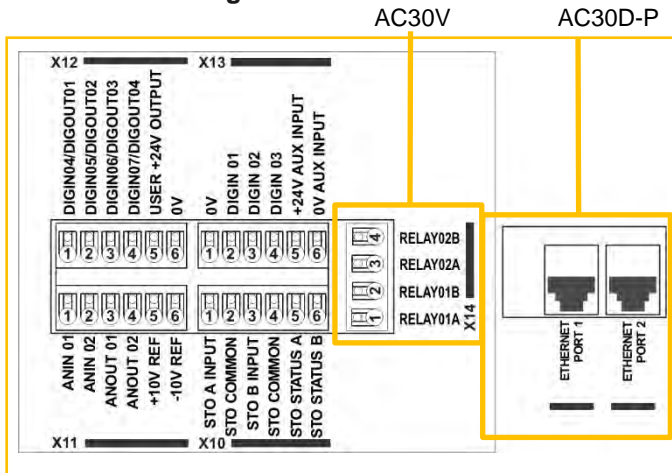
PRÉSENTATION

AC30V, AC30P, AC30D
châssis D, E, F, G, H, J, K

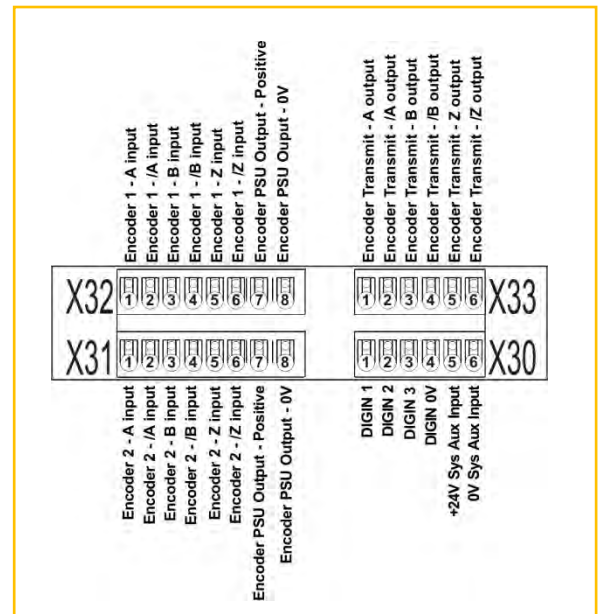
Châssis E illustré



Connexions de câblage de contrôle



Connexions de câblage du système (AC30D only)



STO (Safe Torque Off)

Pour désactiver le STO :

Connecter X12/05 à X10/01 et X10/03
Connecter X12/06 à X10/04

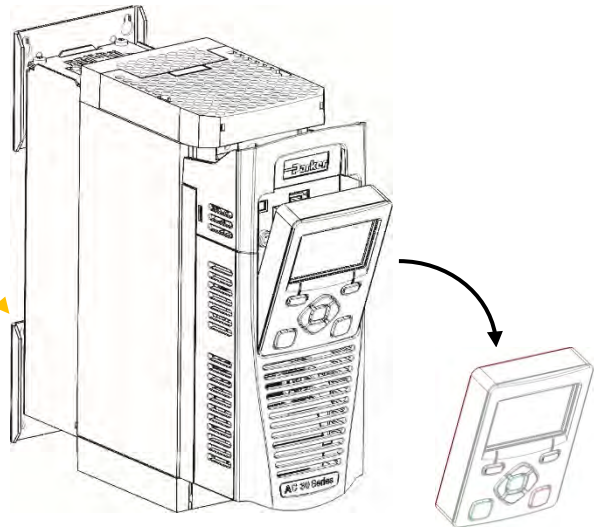
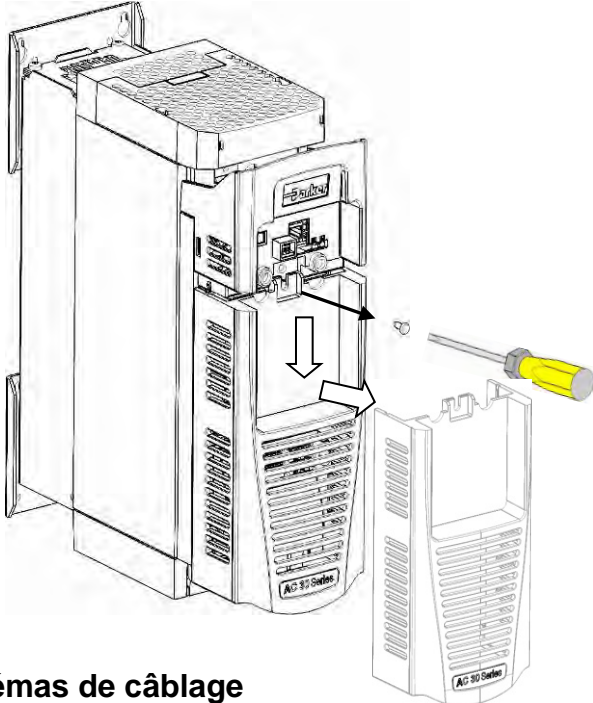
Pour utiliser la fonction STO, l'utilisateur doit lire et bien comprendre le chapitre 6 du manuel du produit série AC30, réf. HA503711U001/U002.

Retrait de la protection du module de commande

Pour avoir accès au câblage de commande et pour insérer la carte SD retirez d'abord la protection du module de commande, comme suit :

Retirez la console GKP en la tirant de haut en bas.

Pour le montage du panneau transversal, dévissez et retirez les supports de montage.



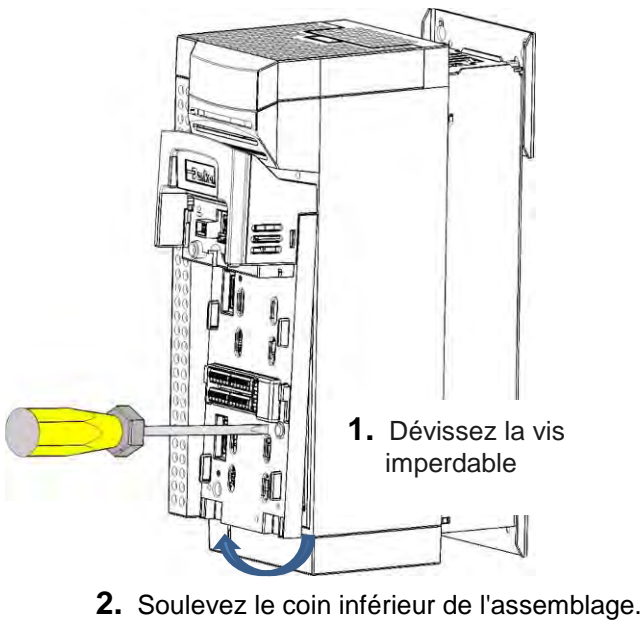
Desserrez la vis et glissez la protection délicatement vers le bas pour le retirer

Schémas de câblage

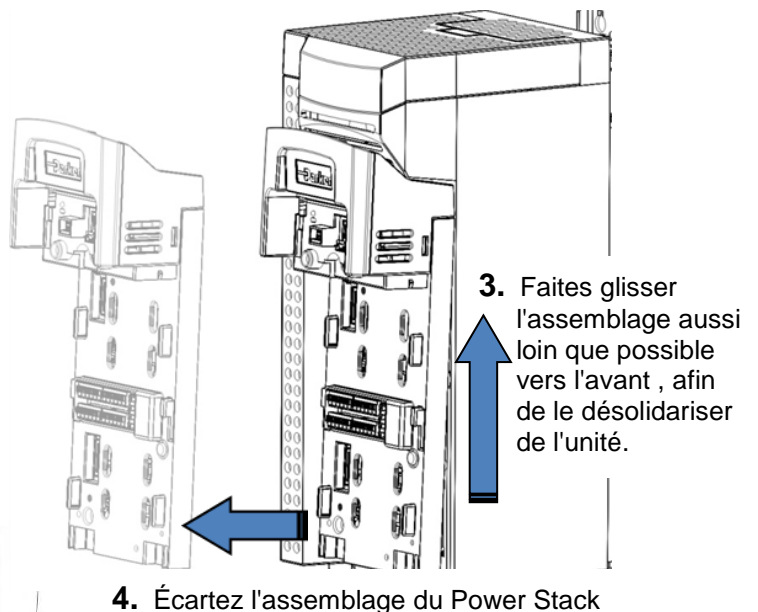
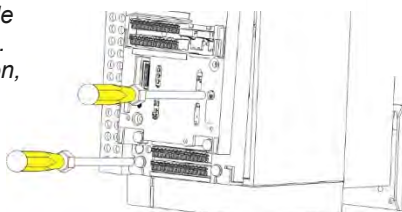
Les schémas de câblage et de bloc se trouvent dans le chapitre 6 « Applications ».

Retrait du module de commande

ATTENTION : Coupez la source d'alimentation avant de brancher ou de débrancher l'unité sur la pile d'alimentation.



Notez qu'il existe deux vis servant à retenir le module de commande de AC30D. L'option de communication, il est fixé, doit être retiré temporairement pour accéder à l'une des deux vis.



Instructions pour le retrait des protections supérieure et inférieure

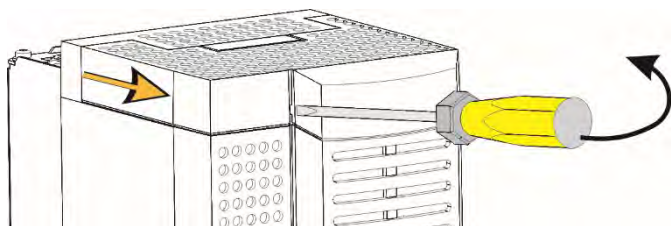
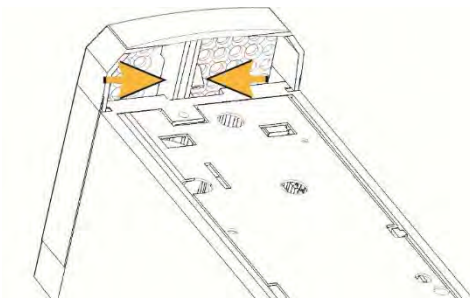
AVERTISSEMENT : Avant d'ôter les protections du bornier, coupez l'alimentation et éliminez toute énergie résiduelle.

Retrait de la protection supérieure

La protection supérieure du bornier doit être retirée pour raccorder les câbles d'alimentation DC ou les câbles de freinage à l'onduleur :

Châssis D :

1. Retirez le module de commande.
2. Pressez les faces de la fixation.
3. Faites glisser le capot vers le haut.

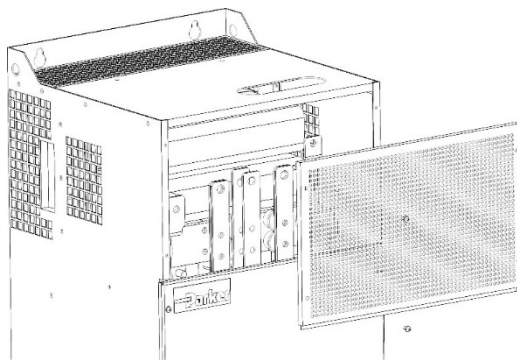


Châssis E - J :

1. Insérez un tournevis dans la fente.
2. Tournez vers la droite pour libérer l'attache.
3. Faites glisser le capot vers le haut.

Châssis K - N :

1. Dévissez les fixations.
Sur le châssis K uniquement, retirez d'abord le panneau avant.

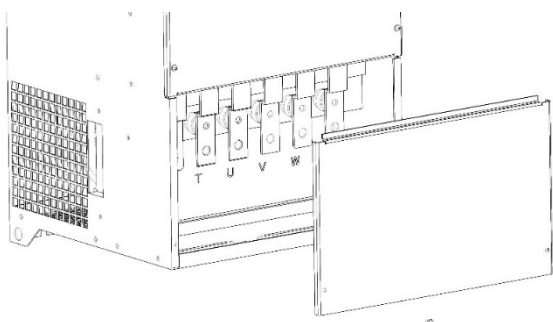
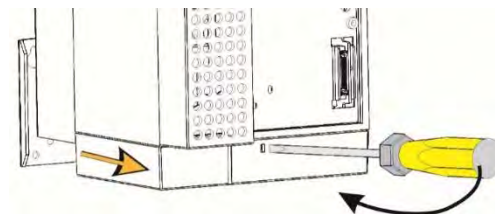


Retrait de la protection inférieure

La protection inférieure du bornier doit être retirée pour raccorder les câbles d'alimentation AC à l'onduleur ou raccorder les câbles de sortie moteur de ce dernier.

Châssis D - J :

1. Insérez un tournevis dans la fente.
2. Tournez vers la gauche pour libérer l'attache.
3. Faites glisser le capot vers le haut.



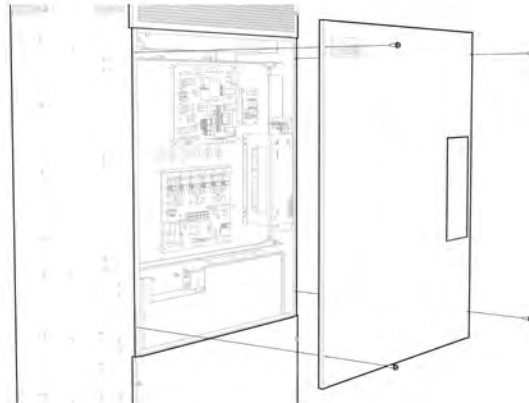
Châssis K - N :

1. Dévissez les fixations.

Instruction de retrait du capot avant (châssis K - N uniquement)

AVERTISSEMENT : Avant d'ôter le capot avant, coupez l'alimentation et éliminez toute énergie résiduelle.

Le panneau avant de l'onduleur doit être retiré pour pouvoir accéder à la carte-mère de sélection de tension du ventilateur. L'installateur doit vérifier que la tension du ventilateur est réglée sur la bonne tension d'alimentation. Une fois ce panneau retiré, il est aussi possible d'accéder à la carte-mère du filtre de ligne AC, notamment aux commutateurs VDR et du condensateur Y.



Sélection de la tension d'alimentation du ventilateur (châssis K - N uniquement)

Une fois le panneau avant retiré, vérifiez que la liaison de sélection de la tension du ventilateur est bien raccordée à une alimentation AC triphasée ou à une alimentation DC.

Si le moteur est alimenté par une source de tension DC, une alimentation auxiliaire 220 VAC est requise pour alimenter les ventilateurs de la conduite de refroidissement principale. Cette alimentation doit être raccordée au bornier TB1.

Tension d'alimentation du moteur	Emplacement du branchement
380-420 VAC	PLG4
440-480 VAC	PLG5
510-650 VDC	PLG6

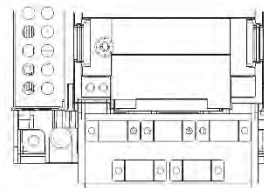
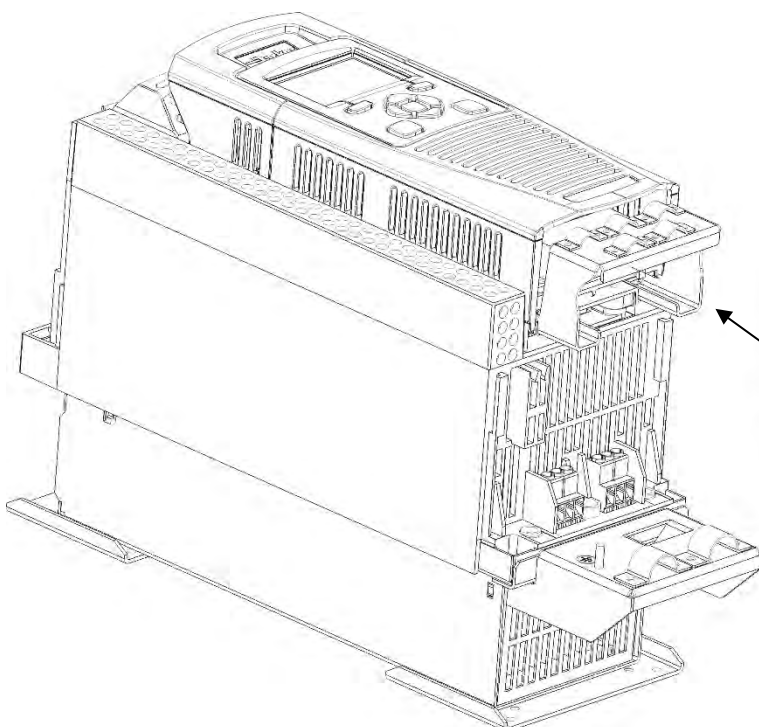
Support de câblage pour le câble principal et le câble de commande (châssis D - J uniquement)

Une fois la protection inférieure retirée, vous pouvez installer les supports de câblage, le cas échéant.

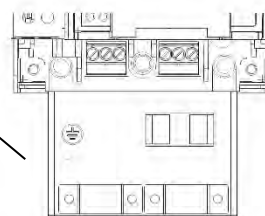
Les supports de câblage sont livrés de série avec les produits filtrants C2, car ils permettent de positionner les noyaux toroïdaux en sortie. Ils peuvent être commandés auprès de Parker à l'aide des références suivantes :

Châssis E AC30V illustré

Dimension du châssis	Référence du kit de support de câblage	
	Montage sur panneau	Montage encastré
D	LA501935U001	LA503117U001
E	LA501935U002	LA503117U002
F	LA501935U003	LA503117U003
G	LA501935U004	LA503117U004
H	LA501935U005	LA503117U005
J	LA501935U006	Indisponible
AC30D	LA501935U007	



Support du câble de commande



Support du câble principal

Raccordement des câbles d'alimentation

AVERTISSEMENT : Avant de câbler le produit, coupez l'alimentation et éliminez toute énergie résiduelle.

Pour obtenir les bons couples de serrage et les diamètres de câble recommandés, consultez le document HA503711U001/U002, chapitre 4 : Installation – Power Stack (Installation – Pile de puissance)

Détails sur le câblage – Ligne AC alimentant 710 piles

Raccordez les câbles d'alimentation triphasée aux bornes L1, L2 et L3. L'ordre des phases n'est pas important. De même, raccordez les câbles du moteur triphasé aux bornes U, V et W. Ici, l'ordre des phases est important pour s'assurer que le sens de rotation du moteur de l'onduleur et de l'arbre du moteur sont identiques. Raccordez la prise de terre de l'alimentation et du moteur aux bornes PE de l'onduleur.



Si des noyaux toroïdaux en sortie sont requis pour installer un produit filtrant C2 :

1. Placez le noyau toroïdal en sortie dans l'encoche du support de câblage.
2. Passez les trois conducteurs d'alimentation du moteur dans le centre du noyau lors du raccordement aux bornes de l'onduleur U, V et W.

Remarque : Le câble de mise à la terre **ne passe pas** par le centre du noyau.

3. Les colliers de câblage fournis avec le support doivent permettre de fixer le câble à la plaque de protection, pour protéger le point de terminaison à 360°.

Détails sur le câblage – Ligne DC alimentant 740 piles

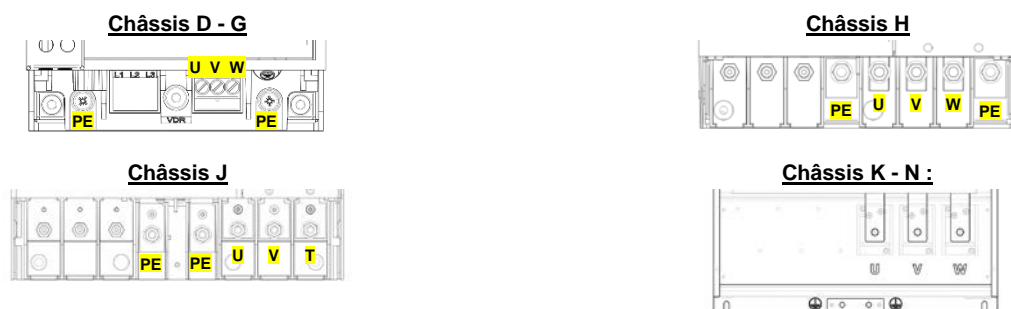
Raccordez la ligne d'alimentation DC aux bornes DC+ et DC-. Veillez à ne pas inverser ces branchements.



Raccordez les câbles du moteur triphasé aux bornes U, V et W. Ici, l'ordre des phases est important pour s'assurer que le sens de rotation de la commande d'onduleur et de l'arbre du moteur sont identiques.

Lorsqu'un onduleur est câblé pour être utilisé en tant qu'AFE, les bornes U, V et W permettent de raccorder l'alimentation secteur triphasée.

Raccordez à la terre l'onduleur et la mise à la terre du moteur (ou l'alimentation entrante pour une application AFE) aux bornes PE de l'onduleur.



Résistances de freinage dynamique

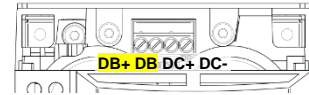
AVERTISSEMENT : Avant de câbler le produit, coupez l'alimentation et éliminez toute énergie résiduelle.

Les résistances de freinage dynamiques ont tendance à s'user lorsqu'une application requiert la dissipation de l'énergie régénérée par le moteur. Tous les châssis D - K de l'AC30 sont équipés d'un commutateur de freinage interne de série, prêt à être raccordé à une résistance de freinage dynamique.

Détails sur le câblage

Lorsqu'une résistance de freinage dynamique (DBR, Dynamic Brake Resistor) est requise pour une application d'onduleur, raccordez-la aux bornes DB et & DB (châssis D - J) ou aux bornes DC+ et DB (châssis K uniquement).

Châssis D - G



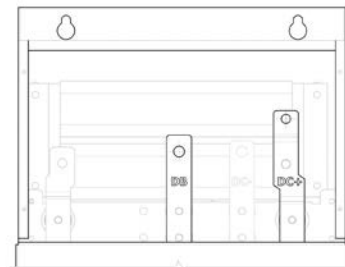
Châssis H



Châssis J



Châssis K



AVERTISSEMENT

Ne pas appliquer de sources d'alimentation externes (alimentation secteur ou autres) aux bornes de freinage suivantes : DB+, DB. Cela peut endommager le variateur et l'installation, et entraîner des risques pour le personnel.

Déconnexion du filtre interne

AVERTISSEMENT



Vérifiez que tout le câblage est électriquement isolé et qu'il ne peut pas être mis sous tension.

Ne touchez pas aux bornes du filtre, ni au câblage dans les 3 minutes qui suivent l'arrêt du courant AC ou DC.

Pour obtenir les instructions complètes relatives au débranchement du filtre EMC, rendez-vous sur HA503711U001/U002, chapitre 4 : « Installation – Power Stack » (Installation – Pile de puissance).

Puissances

Voir A503711U001/U002/U003, annexe D : « AC30 Series Product Codes » (Références produits AC30) pour obtenir une explication sur les codes produit.

Référence	Puissance service normal				Puissance surcharge				Taille
	400 VAC		460 VAC		400 VAC		460 VAC		
	kW	Bras courant O/P	ch	Bras courant O/P	kW	Bras courant O/P	ch	Bras courant O/P	
Alimentation triphasée 380-480 VAC (±10 %) / Alimentation 510-650 VDC									
710-4D0004-B2-0S-0000	1,1	3,5	1,5	3	0,75	2,5	1	2,1	D
710-4D0006-B2-0S-0000	2,2	5,5	3	4,8	1,5	4,5	2	3,4	D
710-4D0010-B2-0S-0000	4	10	5	7,6	3	7,5	-	-	D
710-4D0012-B2-0S-0000	5,5	12	7,5	11	4	10	5	7,6	D
710-4E0016-B2-0S-0000	7,5	16	10	14	5,5	12	7,5	11	E
710-4E0023-B2-0S-0000	11	23	15	21	7,5	16	10	14	E
710-4F0032-B2-0S-0000	15	32	20	27	11	23	15	21	F
710-4F0038-B2-0S-0000	18,5	38	25	36	15	32	20	27	F
710-4F0045-B2-0S-0000	22	45	30	40	18,5	38	25	36	F
710-4G0045-B2-0S-0000	22	45	30	40	18,5	38	25	36	G
710-4G0060-B2-0S-0000	30	60	40	52	22	45	30	40	G
710-4G0073-B2-0S-0000	37	73	50	65	30	60	40	52	G
710-4H0087-B2-0S-0000	45	87	60	77	37	73	50	65	H
710-4H0105-B2-0S-0000	55	105	75	96	45	87	60	77	H
710-4H0145-B2-0S-0000	75	145	100	124	55	105	75	96	H
710-4J0180-B2-0S-0000	90	180	125	156	75	145	100	124	J
710-4J0205-B2-0S-0000	110	205	150	180	90	180	125	156	J
710-4J0260-B2-0S-0000	132	260	200	240	110	205	150	180	J
710-4K0315-B2-0S-0000	160	315	250	302	132	260	200	240	K
710-4K0380-B2-0S-0000	200	380	300	361	160	315	250	302	K
710-4K0440-B2-0S-0000	250	440	350	414	200	380	300	361	K
710-4L0530-N2-0S-0000	280	530	450	520	250	480	400	480	L
710-4L0590-N2-0S-0000	315	590	500	590	280	530	450	520	L
710-4M0650-N2-0S-0000	355	650	550	650	315	590	500	590	M
710-4M0700-N2-0S-0000	400	700	600	680	355	650	550	640	M
710-4N0790-N2-0S-0000	450	790	650	770	400	700	600	700	N

1	Gamme d'appareils
1	Alimentation ligne AC, IP20
4	Alimentation Liaison DC, IP20
2	Filtre CEM
N	Pas de filtre monté
E	Filtre catégorie C3 monté
F	Filtre catégorie C2 monté

Démarrage du variateur

- Lisez les informations de sécurité au début de ce guide de démarrage rapide.
- Vérifiez que l'ensemble des normes électriques sont respectées.
- Vérifiez l'absence de dégâts apparents sur l'équipement.
- Vérifiez que les connexions ne sont pas desserrées et assurez-vous qu'aucune coupure ni particule ne soit logée dans le variateur ou le système.
- Vérifiez tous les circuits externes du système (puissance, commande, moteur et mise à la terre).
- Vérifiez que toute rotation inattendue du moteur, dans les deux directions, n'entraîne aucun dommage ou blessure. Débranchez la charge de l'arbre du moteur, si possible.
- Vérifiez l'état des connecteurs de la thermistance du moteur et de la résistance de freinage. Vérifiez que les contacts externes de marche sont ouverts. Vérifiez que toutes les consignes externes de vitesse sont réglées sur zéro.
- Vérifiez que personne ne travaille sur une autre partie du système pouvant être endommagée par la mise sous tension du variateur.
- Vérifiez qu'aucun équipement ne sera endommagé par la mise sous tension du variateur.
- Vérifiez que les raccordements des stators du moteur sont correctement effectués pour Star et Delta en fonction de la tension de sortie du variateur.
- Vérifiez que la fonction STO a été désactivée. Voir les pages 1-4 de ce guide de démarrage rapide.
- DANGER : Certains moteurs ne peuvent être utilisés avec la fonction STO. Consultez le document HA503711U001/U002, chapitre 8.

Une fois toutes les connexions vérifiées, vous pouvez METTRE SOUS TENSION le variateur.

Réglage du variateur

Consultez la rubrique « Démarrage » page suivante ainsi que le document HA503711U003, chapitre 6 : « Setup Wizard » (Assistant de réglage) et l'annexe C : « Parameter Reference » (Référence des paramètres) pour obtenir des informations sur les menus et les paramètres GKP.

Données du moteur

Avant de configurer le variateur, certaines informations sur le moteur sont requises. Vous les trouverez sur la plaque signalétique du moteur. Les informations dont vous avez besoin sont les suivantes :

Moteur à induction :

Volts de base
Fréquence de base
Tr/min de base
Amps - Pleine charge
Amps - Pas de charge (courant mag)
Connexion (star ou delta)

Moteur PMAC :

Vitesse max PMAC (tr/min)
Intensité max PMAC (A)
Intensité nominale (A)
Couple nominal PMAC (Nm)
Pôles moteur PMAC
Constante K FEM PMAC (V)
Tension de base PMAC (V)
Résistance d'enroulement PMAC
Induction d'enroulement PMAC (mH)
Constante de couple KT PMAC (Nm/A)
Constante de temps thermique PMAC (s)
Inertie du moteur PMAC (2^{kgm})

Démarrage - Assistant de réglage GKP

Le GKP peut être monté à distance – pour plus de détails, voir HA503711U001/U002, chapitre 5 : « Installation – Control Module » (Installation - Module de commande).

Objectif de l'assistant de réglage

Le but de l'assistant de réglage est de configurer le variateur de façon claire et concise.

Commencez par vous familiariser avec le document HA503711U001/U002 chapitre 9 : « The Graphical Keypad » (Clavier graphique) ou HA503711U003, chapitre 4 : « The Graphical Keypad » (Clavier graphique) pour connaître les fonctions du clavier.

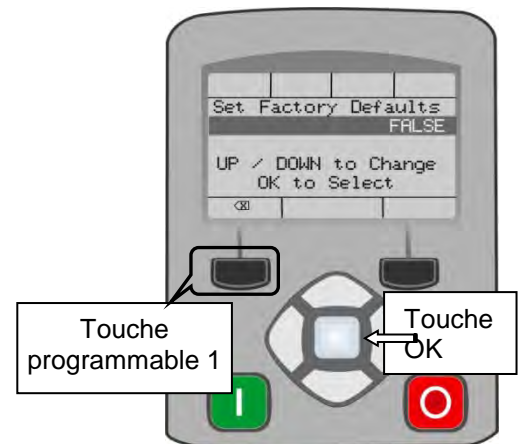
Démarrage de l'assistant de réglage

L'assistant de configuration est automatiquement appelé lors de la première mise sous tension. L'assistant de configuration peut être invoqué à tout autre moment en appuyant sur la touche de mise en place (≡). Ceci est montré sur l'écran d'accueil, (au "top" de la structure de menu MMI).

Exécution de l'assistant de réglage

À chaque étape de l'assistant, appuyez sur OK pour sélectionner la valeur affichée et passer à l'étape suivante. Appuyez sur la **touche 1** pour revenir à l'étape précédente.

Appuyez sur les touches HAUT et BAS pour modifier la valeur sélectionnée.



Étapes de l'assistant de réglage

Après avoir sélectionné le niveau de vision nécessaire et la langue, la prochaine option présentée est "défini par défaut" paramètre sur VRAI puis appuyez sur OK pour réinitialiser tous les paramètres sur leur valeur par défaut en fonction de la configuration matérielle de l'AC30 série. Si ce choix est défini sur FAUX, l'assistant de réglage démarre avec l'ensemble des paramètres définis précédemment. Si vous acceptez chaque proposition sans modification puis appuyez sur OK, la configuration du variateur ne sera pas modifiée.

Les étapes suivantes de l'assistant sont divisées en plusieurs sections. Chaque section correspond à un composant fonctionnel du variateur, par exemple :

- Sélection d'application
- l'option io (y compris l'encodeur)
- Données du moteur
- Commande du moteur
- Plages pour l'entrée et la sortie analogique.
- Options Fieldbus
- Ethernet embarqué
- Auto-réglage

Toute section non nécessaire peut être ignorée.

Le réglage par défaut de l'ensemble des paramètres dépend des réponses précédentes et de la configuration physique du variateur. Toutes les données saisies sont automatiquement enregistrées sans saisie supplémentaire.

Finalisation du réglage

Une fois l'assistant de réglage exécuté, la fonction est automatiquement désactivée. Si vous redémarrez le variateur, l'assistant de réglage ne s'exécutera pas à nouveau. (Si vous souhaitez réexécuter l'assistant de réglage, voir la section ci-dessus « Démarrage de l'assistant de réglage »).

Pour obtenir des détails complets, consultez le document HA503711U003, chapitre 6 : « Setup Wizard » (Assistant de réglage).

Communications Ethernet

Connexion et déconnexion du câble Ethernet.

Pour obtenir ces informations, consultez le document HA503711U003, chapitre 8 : « Ethernet ».

CONFORMITÉ

Un guide complet de la conformité du produit est disponible dans le manuel du produit série AC30.

Avertissement – En cas de conflit entre les exigences de CEM et de sécurité, la sécurité du personnel doit toujours primer.

Le fonctionnement de cet équipement nécessite le respect des instructions détaillées d'installation et de fonctionnement figurant dans le manuel du produit prévu à cet effet.

Attention : • Il s'agit d'un produit classé pour vente et distribution limitées au titre de la norme CEI 61800-3. Il s'agit d'un « matériel professionnel » EN61000-3-2 pour les châssis de taille D. L'autorisation de l'organisme d'approvisionnement est nécessaire avant tout branchement à l'alimentation basse tension. Les courants harmoniques des châssis de taille E à N sont conformes aux seuils de la norme CEI 6100-3-12:2011 (tableau 4).

Dans un environnement domestique, ce produit peut causer des interférences radio, ce qui peut nécessiter des mesures d'atténuation supplémentaires.

Cet appareil contient des pièces sensibles aux décharges électrostatiques. Respectez les précautions de contrôle statique lors de la manipulation, l'installation et l'entretien de ce produit.

Émissions CEM

Les émissions de radiations sont conformes à la norme EN61800-3 catégorie C1, C2 et C3 si les instructions du document HA503711U001/U002, chapitre 4 : Installation – Power Stack (Installation – Pile de puissance) sont respectées.

Les émissions conduites sont conformes à la norme EN61800-3 catégorie C3 et C2 sans filtre externe et catégorie C1 si l'appareil est équipé d'un filtre externe spécifique.

L'immunité est conforme à la norme EN61800-3 pour les équipements destinés à être utilisés dans le second environnement.

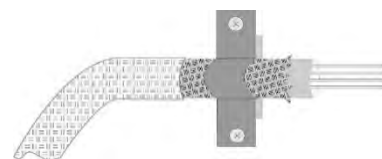
Connexions CEM

Pour assurer la conformité aux exigences CEM, le « 0 V/référence signal » doit être séparément mis à la terre. Quand plusieurs unités sont installées dans le système, ces bornes doivent être reliées ensemble en un point unique de mise à la terre.

Les connexions de commande et de signal doivent être faites avec des câbles blindés, le blindage étant relié uniquement à l'extrémité du variateur. Toutefois, si le bruit à haute fréquence pose toujours problème, mettez l'autre extrémité du câble à la terre par un condensateur de 0,1 µF.

Remarque : Connectez les câbles blindés de commande et de signal (à l'extrémité variateur) à la mise à la terre de protection et non aux bornes de la carte de commande.

Les câbles du moteur doivent avoir un lien à 360° pour assurer une connexion de faible impédance, comme indiqué à la figure ci-dessous.



Cheminement des câbles

Utilisez les longueurs de câbles les plus courtes possible pour connecter le moteur.

Utilisez une seule longueur de câble à un point de jonction pour alimenter plusieurs moteurs.

Séparez les câbles sensibles des câbles électriquement bruyants. Si cela n'est pas possible, les parcours de câbles parallèles doivent être séparés d'au moins 0,25 mètre; pour les parcours de plus de 10 mètres, la séparation doit être augmentée proportionnellement.

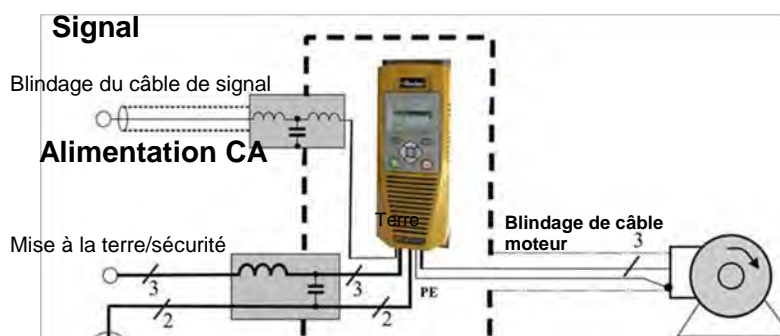
Les câbles sensibles doivent croiser les câbles bruyants électriquement à angle de 90°.

Ne jamais faire cheminer des câbles sensibles en parallèle avec ceux du moteur, à quelque distance que ce soit.

Ne jamais faire cheminer des câbles d'alimentation ou de moteur dans le même conduit que les câbles de signaux même s'ils sont blindés.

Assurez-vous que les câbles d'entrée et de sortie du filtre CEM cheminent séparément et ne sont pas couplés au sein du filtre.

Boîtier du variateur



Exemple AC Fed Inverter montré.

Chapter 4 Italiano

INFORMAZIONI SULLA SICUREZZA

LA SCELTA O L'UTILIZZO IMPROPRIO DEI PRODOTTI ED ACCESSORI DI SEGUITO DESCRITTI POSSONO PROVOCARE MORTE, GRAVI LESIONI PERSONALI O DANNI ALLE COSE.

Il presente documento ed altre informazioni provenienti da Parker Hannifin Corporation, società affiliate e distributori autorizzati forniscono opzioni, prodotti e/o sistemi il cui utilizzo deve essere valutato da utenti in possesso di adeguate competenze tecniche.

L'utente con le proprie valutazioni ed i propri test è l'unico responsabile nella scelta finale di componenti o sistemi nonché della garanzia che tutti i requisiti di prestazioni, di sicurezza e normativi dell'applicazione siano soddisfatti. L'utente deve analizzare tutti gli aspetti dell'applicazione, seguendo le normative industriali applicabili e tenere in considerazione le informazioni riguardanti il prodotto contenute in questo opuscolo e in ogni altro materiale fornito da Parker, società affiliate e distributori autorizzati.

In estensione a quanto sopra, se Parker, le società affiliate oppure i distributori autorizzati forniscono componenti, sistemi od opzioni sulla base di dati o specifiche fornite dall'utente, l'utente è egli stesso responsabile nel valutare che tali dati e specifiche sono adatti e sufficienti per tutte le applicazioni ed usi, ragionevolmente prevedibili, dei componenti o sistemi.

Requisiti

Leggere queste informazioni PRIMA di installare l'apparecchio.

ATTENZIONE – L'impiego di questo apparecchio richiede che vengano scrupolosamente seguite le istruzioni di installazione/funzionamento contenute nel manuale prodotto. Le informazioni devono essere sempre conservate con il prodotto. E' possibile ordinare una copia aggiuntiva del manuale presso il fornitore indicato sulla targhetta prodotto.

Utilizzatori dell'apparecchio

Questo opuscolo deve essere disponibile per tutte le persone che devono installare, configurare o mettere in servizio l'apparecchio qui descritto oppure eseguire qualsiasi altra operazione ad esso associata.

Le informazioni fornite evidenziano i requisiti di sicurezza, le considerazioni EMC ed i suggerimenti che permettono all'utilizzatore di ottenere il funzionamento ottimale.

Campi applicativi

L'apparecchiatura di seguito descritta è stata progettata per il controllo industriale della velocità di macchine che utilizzano motori CC, CA ad induzione o macchine sincrone CA.

Personale addetto

L'installazione, l'operatività e la manutenzione dell'apparecchio devono essere eseguite da personale qualificato. La persona qualificata è colui che risulta competente dal punto di vista tecnico, conosce tutte le informazioni sulla sicurezza e mette in atto pratiche finalizzate a garantirla durante l'installazione, la gestione e la manutenzione di questo apparecchio e delle pericolosità che lo coinvolgono.

Indicazioni prodotto

	Attenzione – superfici calde		PERICOLO Rischio di shock elettrico		Attenzione Vedere documentazione		Terra Morsetto terra di protezione
---	------------------------------------	---	--	---	--	---	---

Rischi

PERICOLO! – Ignorare le seguenti regole potrebbe causare incidenti

- Questo apparecchio può mettere in pericolo la vita per l'esposizione a corpi rotanti ed alte tensioni.
- L'apparecchio deve avere una messa a terra permanente a causa delle alte correnti di dispersione, il motore comandato deve essere connesso ad un'appropriata connessione alla terra di protezione.
- Assicurarsi che tutte le alimentazioni di ingresso siano state rimosse prima di operare sull'apparecchio. Considerare la possibilità che ci possa essere più di una sorgente di alimentazione collegata all'apparecchio.
- Quando il motore è in arresto o fermo potrebbero esserci comunque dei valori di tensione pericolosi presenti nei morsetti di potenza (uscita motore, fase ingresso alimentazione, DC bus e freno dove presenti).
- Per le misurazioni utilizzare solo apparecchi conformi alla norma IEC 61010 (CAT III o superiore). Iniziare utilizzando sempre la scala più alta.
- Non possono essere utilizzate per questo apparecchio strumenti in CAT I e CAT II.
- Attendere almeno 5 minuti per permettere ai condensatori di ridurre la tensione ai loro capi a valori non pericolosi (<50V). Utilizzare strumenti in grado di misurare tensioni fino a 1000V cc ed ac rms per garantire che sia presente una tensione inferiore a 50V tra tutti i morsetti di potenza e la terra.
- Salvo diverse indicazioni, questo prodotto NON deve essere smantellato. In caso di guasto il convertitore deve essere restituito. Fare riferimento alla voce "Manutenzione e Riparazioni".
- ATTENZIONE – L'apertura di un qualunque dispositivo di protezione del prodotto potrebbe indicare che è stato rilevato un guasto. Al fine di ridurre il rischio di incendio e shock elettrico, le parti in tensione ed i componenti del prodotto dovrebbero essere esaminati e sostituiti se danneggiati.

ATTENZIONE! - Ignorare le seguenti regole potrebbe causare incidenti o danneggiare il convertitore**SICUREZZA**

In caso di discordanza le norme di sicurezza del personale hanno la precedenza nei confronti delle norme EMC

- Non effettuare test di resistenza ad alta tensione senza aver prima scollegato il convertitore.
- Per quanto la ventilazione sia sufficientemente assicurata, provvedere a salvaguardare e/o utilizzare sistemi di sicurezza aggiuntivi per prevenire incidenti o danni all'apparecchio.
- In caso di sostituzione di un convertitore all'interno di un sistema, prima della marcia, è essenziale ripristinare correttamente tutti i valori dei parametri.
- Tutti i morsetti di controllo e segnale sono SELV, quindi a doppio isolamento. Assicurarsi che i cablaggi siano dimensionati per la maggiore delle tensioni utilizzate nel sistema.
- I sensori termici all'interno del motore devono disporre di un minimo isolamento.
- Tutte le parti metalliche accessibili sono protette mediante isolamento e collegate a terra.
- Non è raccomandato l'utilizzo di interruttori differenziali con questo apparecchio, ma dove sia inevitabile la loro installazione si raccomanda di utilizzare solamente differenziali di tipo B.

EMC

- In ambiente domestico l'apparecchio può causare interferenze radio. In tal caso l'utente deve ricorrere ad ulteriori misure di schermatura.
- Questo apparecchio contiene componenti sensibili alle scariche elettrostatiche. È necessario quindi prendere precauzioni durante la sua messa in servizio e manutenzione.
- Questo prodotto fa parte della classe di distribuzione limitata secondo la norma IEC 61800-3. È definito "apparecchiatura professionale" in base alla norma EN61000-3-2 per ciò che riguarda i telai di dimensione D. Prima di effettuare il collegamento a un impianto pubblico di alimentazione a bassa tensione, è necessario ottenere il benestare dall'autorità competente. Le armoniche con dimensioni del telaio da E a N rientrano nei limiti previsti dalla norma IEC6100-3-12:2011 (tabella 4).

AVVERTENZA. – Rimozione/montaggio unità di controllo

Interrompere l'alimentazione prima di collegare o scollegare l'unità di controllo dallo stack di potenza.

ATTENZIONE!**RISCHI LEGATI ALL'USO**

- Le specifiche tecniche, i processi e gli schemi circuitali descritti all'interno del presente manuale sono di carattere generale e potrebbero necessitare di adattamenti a specifiche richieste applicative. Non è possibile garantire l'adattabilità dell'apparecchiatura per applicazioni individuali.

SITUAZIONI A RISCHIO

In condizioni di guasto, mancanza rete ovvero condizioni operative impreviste, il convertitore potrebbe non funzionare come descritto nel manuale.

In particolare:

- L'energia immagazzinata potrebbe non portarsi a livelli di sicurezza così velocemente come suggerito e potrebbe essere ancora presente nonostante il convertitore appaia spento.
- La direzione di rotazione del motore potrebbe non essere controllata
- La velocità del motore potrebbe non essere controllata
- Il motore potrebbe essere alimentato

Il convertitore è un componente all'interno di un sistema e pertanto potrebbe influenzare il suo funzionamento o causarne danni.

Tenere quindi in considerazione:

- Energia immagazzinata
- Interruzioni dell'alimentazione
- Sequenza logica

GUIDA RAPIDA

PRIMA DI INIZIARE

Questo documento descrive i passaggi fondamentali per mettere in funzione l'inverter serie AC30. La messa in funzione di un inverter deve essere affidata ad elettricisti qualificati, che conoscano gli inverter AC e le relative applicazioni. Per maggiori informazioni su installazione, sicurezza ed applicazioni consultare il Manuale del prodotto serie

1. Manuale di installazione hardware serie AC30 - HA503711U001: telai D - J.
2. Manuale di installazione hardware serie AC30 - HA503711U002: telai K - N.
3. Manuale di riferimento software serie AC30 - HA503711U003.

Durante l'installazione dell'inverter accertarsi di rispettare tutte le norme elettrotecniche in vigore. Verificare che tutte le parti sotto tensione siano coperte, per evitare il rischio di scariche elettriche, e che un'accidentale rotazione del motore non possa provocare infortuni.

Questo documento suppone che l'inverter sia già stato installato nella posizione prevista e che siano state seguite tutte le procedure d'installazione pertinenti. Controllare che la ventilazione per l'inverter sia adeguata, in modo tale che la temperatura non superi i 45°C (112°F) in condizioni di esercizio normali.

Installare l'unità Parker Quicktool (PDQ) Efficace scaricandola dal www.parker.com/ssd/pdq.

INFORMAZIONI SU QUESTA GUIDA RAPIDA

Scopo di questa guida rapida è:

- approfondire la conoscenza dei terminali e del funzionamento dell'unità.
- Fornire informazioni ***sull'installazione** di base e sulla procedura di configurazione veloce.
- Illustrare come regolare automaticamente l'inverter ed avviare il motore.

** Dal momento che la serie AC30 è destinata all'installazione in un impianto e non conosciamo l'applicazione del cliente, ci limitiamo a descrivere dettagliatamente il metodo più rapido di accensione attraverso uno schema di messa a terra semplice con cablaggi di comando minimi. Per tutto ciò che non è illustrato nella presente guida rapida, consultare il "Manuale di installazione hardware serie AC30" HA503711U001/U002..*

In dotazione con ogni unità AC30:

- Guida rapida.

Questa guida rapida presuppone che:

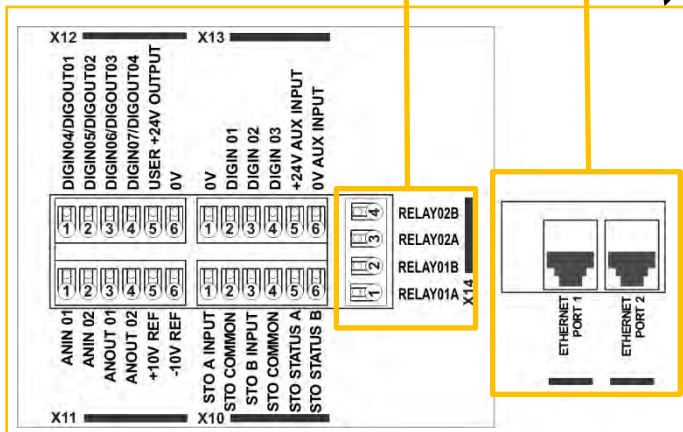
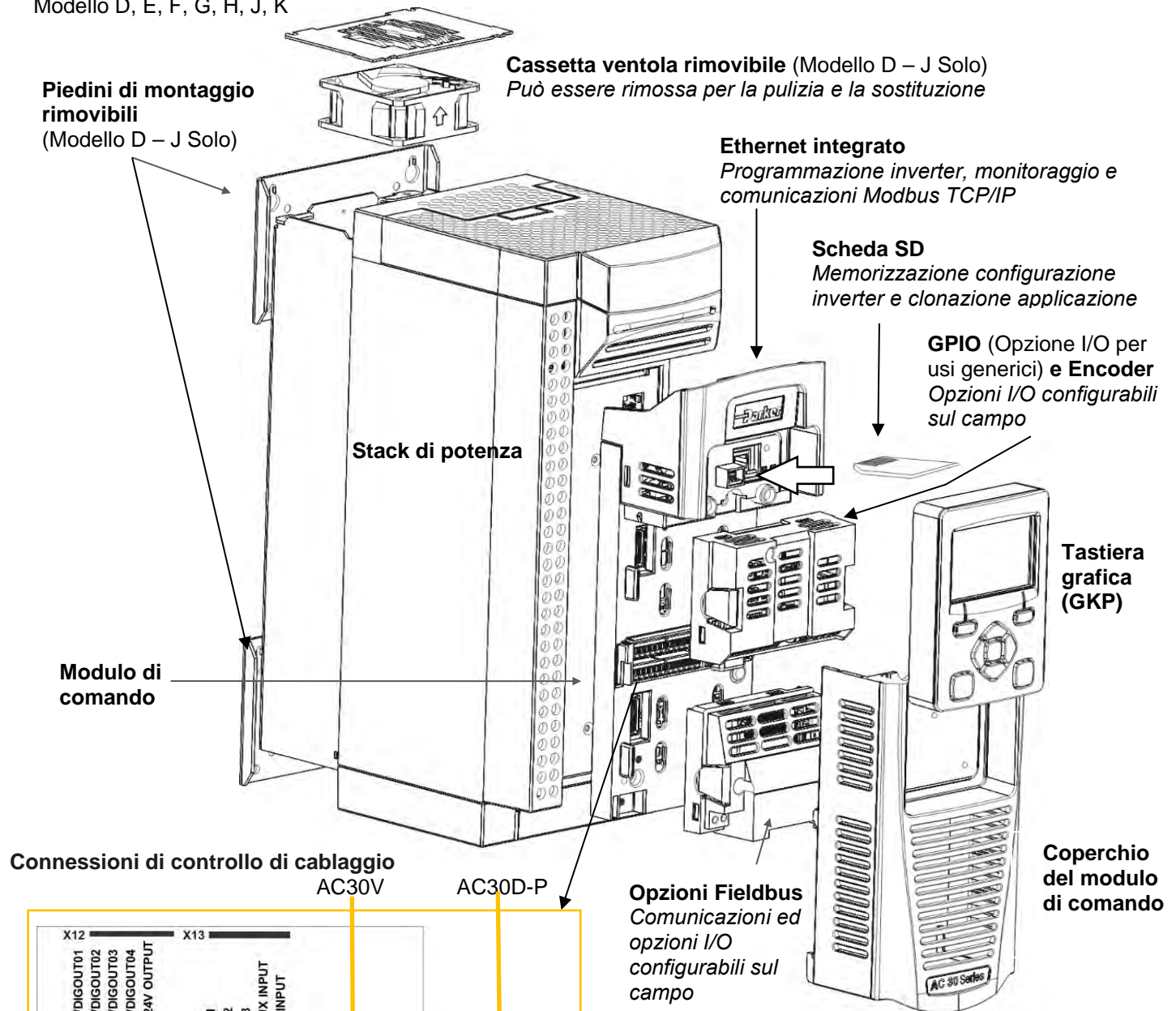
- siate tecnici qualificati in grado di installare questo tipo di apparecchiature.
- Conosciate gli standard pertinenti e le norme elettrotecniche locali (che hanno la priorità).
- Abbiate letto e compreso le informazioni di sicurezza fornite nella prima pagina della presente guida rapida.
- Abbiate compreso che questa guida contiene solo le informazioni di base e che occorre consultare il manuale del prodotto serie AC30 per completare l'installazione.
- Non stiate utilizzando la funzione STO (safe torque off) di questo prodotto e che provvederete a disabilitarla, come indicato in questa guida rapida (vedere pag. 1-4).

Avvertenza sulla sicurezza: per l'utilizzo della funzione STO, è necessaria la piena conformità alle linee guida STO riportate nel manuale di HA503711U001/U002, "Capitolo 8: Funzione Safe Torque Off SIL3/PLe".

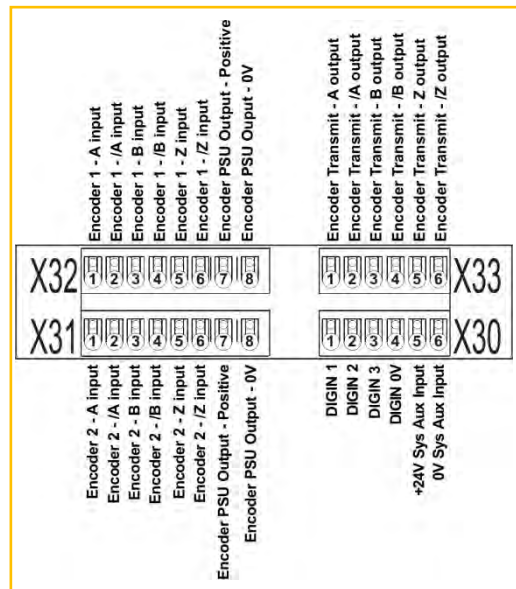
PANORAMICA

Gamma di prodotti:
AC30V, AC30P & AC30D
Modello D, E, F, G, H, J, K

L'illustrazione mostra il modello E



Connessioni cablaggio del sistema (solo AC30D)



Funzione "safe torque off"

Per disabilitare la funzione STO:
Collegare X12/05 a X10/01 e X10/03
Collegare X12/06 a X10/04

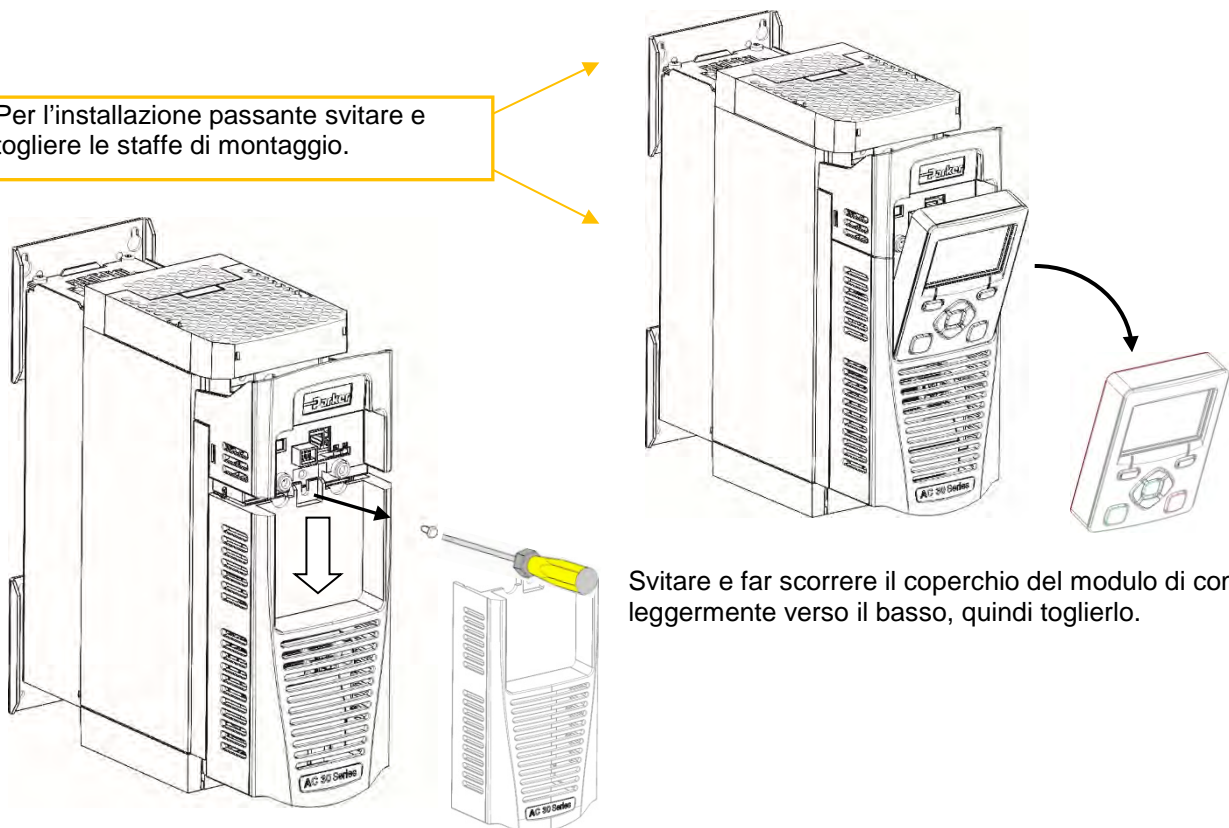
Per poter utilizzare la funzione STO occorre leggere attentamente il Capitolo 6 del manuale del prodotto AC30 HA503711U001/U002.

Rimozione coperchio modulo di comando

Per accedere al cablaggio di controllo, e SD Card, rimuovere il coperchio dell'unità di controllo come segue:

Innanzitutto togliere la tastiera grafica (GKP), estraendola dall'alto verso il basso.

Per l'installazione passante svitare e togliere le staffe di montaggio.



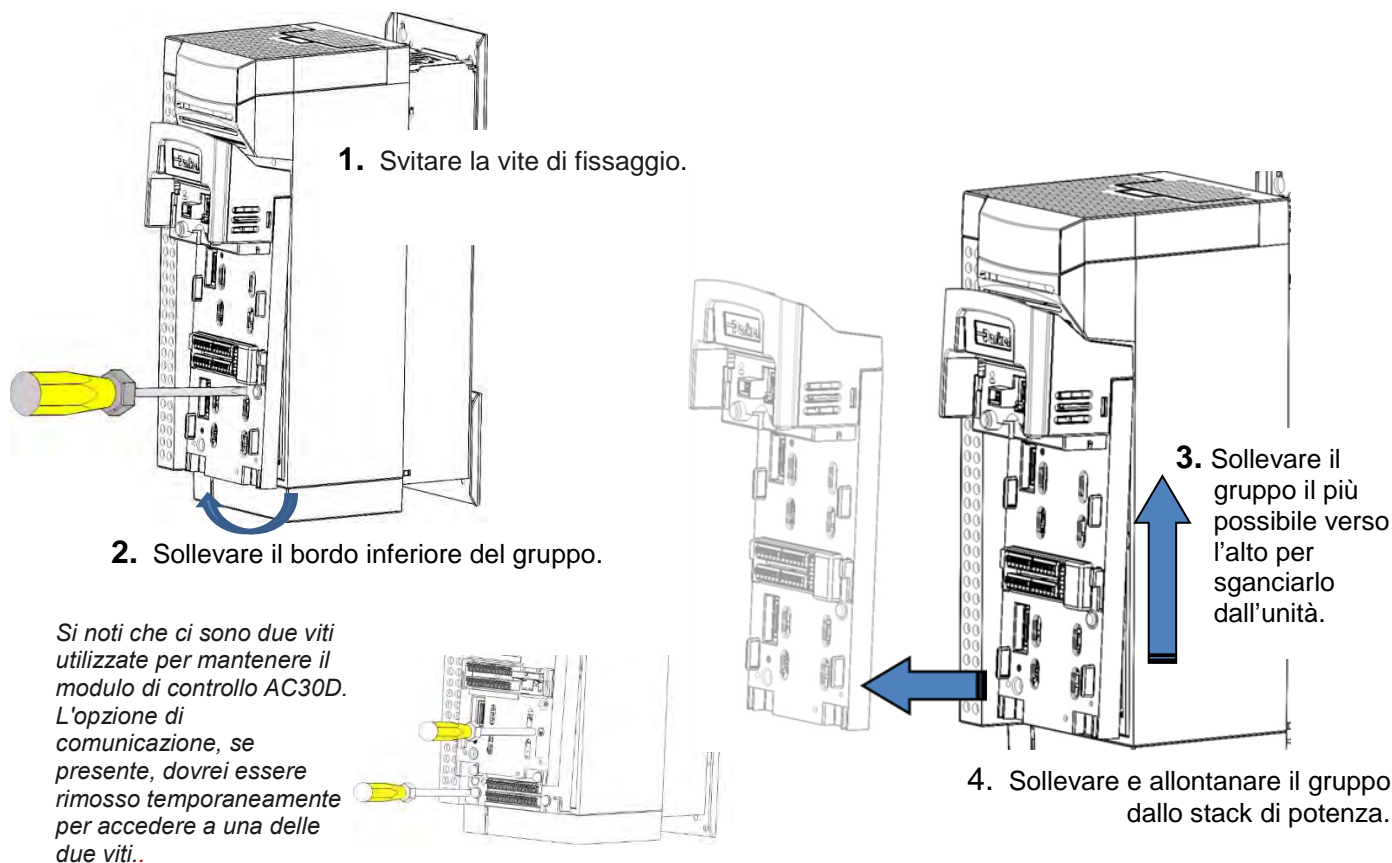
Svitare e far scorrere il coperchio del modulo di comando leggermente verso il basso, quindi toglierlo.

Schemi di cablaggio

Gli schemi a blocchi e di cablaggio si trovano nel Capitolo 6 "Applicazioni". Rimozione coperchio superiore e inferior

Rimozione del modulo di comando

AVVERTENZA Prima di collegare o scollegare l'unità di controllo dallo stack di potenza isolare l'alimentazione.



Istruzioni per la rimozione dei coperchi superiore ed inferiore

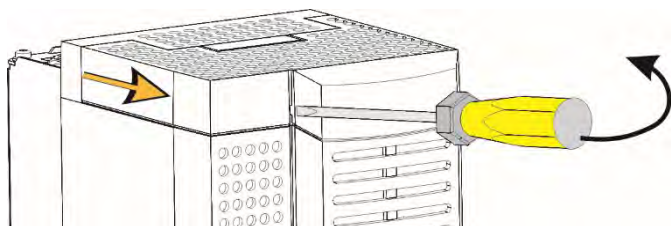
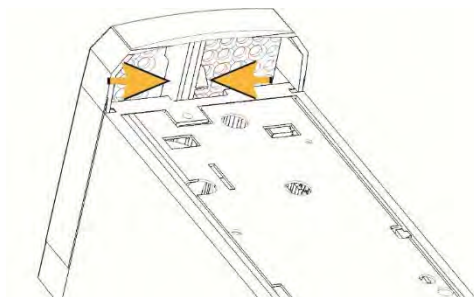
ATTENZIONE Isolare l'alimentazione e assicurarsi che l'energia residua sia stata scaricata prima di procedere alla rimozione dei copriterminali.

Rimozione del coperchio superiore

Occorre rimuovere il copriterminale superiore per collegare i cavi del freno o quelli di ingresso del circuito intermedio all'inverter:

Telaio D:

1. Rimuovere il modulo di controllo.
2. Stringere la staffa.
3. Far scorrere verso l'alto per rimuovere.

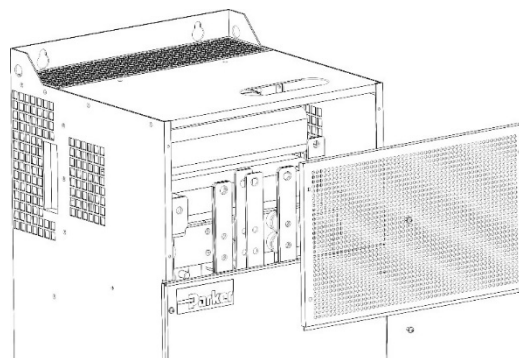


Telai E - J:

1. Inserire un cacciavite nella fessura.
2. Spingere verso destra per sganciare il fermo.
3. Far scorrere verso l'alto per rimuovere.

Telai K - N:

1. Svitare le viti per rimuovere.
Solo sul telaio K, è necessario prima rimuovere il pannello anteriore.

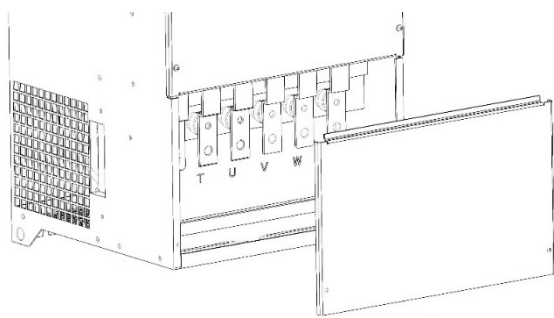
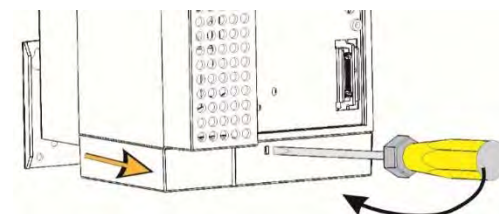


Rimozione del coperchio inferiore

Occorre rimuovere il copriterminale inferiore prima di collegare eventuali cavi di ingresso della linea CA o cavi di uscita motore dall'inverter:

Telai D - J:

1. Inserire un cacciavite nella fessura.
2. Spingere verso sinistra per sganciare il fermo.
3. Far scorrere verso l'alto per rimuovere.



Telai K - N:

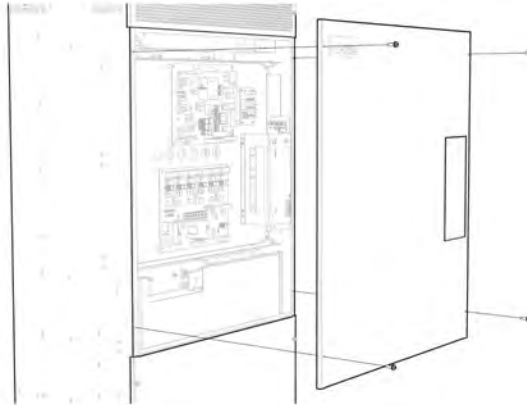
1. Svitare le viti per rimuovere.

Istruzioni di rimozione del coperchio anteriore (solo per telai K - N)

ATTENZIONE Isolare l'alimentazione e assicurarsi che l'energia residua sia stata scaricata prima di procedere alla rimozione del coperchio anteriore.

Occorre rimuovere il coperchio anteriore dell'inverter per accedere al PCB di selezione della tensione della ventola. L'installatore deve accertarsi che la ventola sia impostata in modo tale da funzionare alla corretta tensione di alimentazione.

La rimozione di questo pannello consente anche di accedere al PCB di filtro della linea CA e, in particolare, di scollegare il coperchio Y e il VDR.



Selezione della tensione di alimentazione della ventola (solo per telai K - N)

Una volta rimosso il pannello anteriore, assicurarsi che l'anello di selezione della tensione di alimentazione della ventola sia posizionato correttamente rispetto alla tensione di alimentazione del comando CA trifase, o che la tensione di alimentazione CC lo sia rispetto all'unità.

Quando l'unità è dotata di tensione di alimentazione CC, è necessaria una fonte di alimentazione esterna ausiliaria da 220 VCA per fornire energia alle ventole di raffreddamento principali del condotto. In questo caso, occorre un collegamento cablato alla morsettiera TB1.

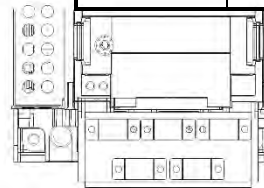
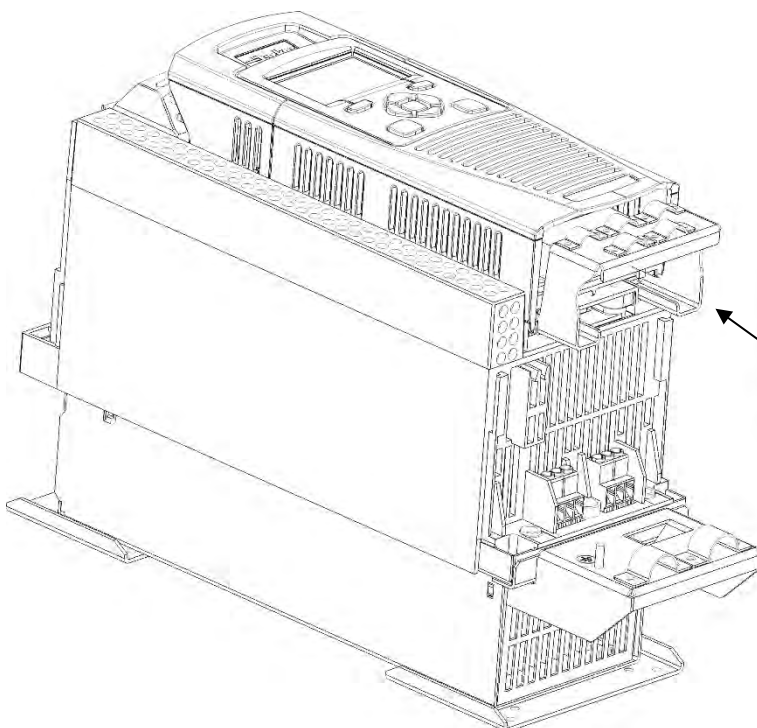
Tensione di alimentazione unità	Posizione anello
380-420 VCA	PLG4
440-480 VCA	PLG5
510-650 VCC	PLG6

Staffa di cablaggio per cavi di comando e alimentazione (solo per telai D - J)

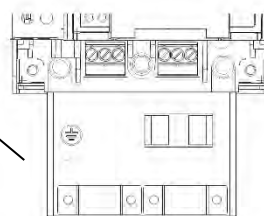
Una volta rimosso il coperchio inferiore, è possibile procedere all'installazione delle staffe di cablaggio, ove necessario. Le staffe di cablaggio sono di serie nei prodotti con filtro C2, poiché vengono utilizzate per posizionare i nuclei toroidali di uscita. È possibile reperirle direttamente da Parker usando i seguenti codici prodotto:

L'illustrazione mostra la serie AC30V con telaio E

Dimensioni telaio	Codice kit staffa di cablaggio	
	Montaggio a pannello	Pannello passante
D	LA501935U001	LA503117U001
E	LA501935U002	LA503117U002
F	LA501935U003	LA503117U003
G	LA501935U004	LA503117U004
H	LA501935U005	LA503117U005
J	LA501935U006	Non disponibile
AC30D	LA501935U007	



Staffa di cablaggio



Staffa di cablaggio

Collegamenti elettrici

ATTENZIONE Isolare l'alimentazione e assicurarsi che l'energia residua sia stata scaricata prima di procedere al cablaggio del prodotto.

Per conoscere le esatte coppie di serraggio e le dimensioni dei cavi consigliate, consultare il manuale di HA503711U001/U002, "Capitolo 4: Installazione - Stack di potenza".

Indicazioni per il cablaggio - 710 stack alimentati con linea CA

Collegare i cavi di alimentazione di ingresso trifase rispettivamente ai terminali L1, L2 e L3. La rotazione delle fasi non è essenziale.

Analogamente, collegare i cavi motore trifase ai terminali U, V e W. La rotazione delle fasi è importante affinché la direzione di controllo motore dell'inverter coincida con la rotazione dell'albero motore.

Collegare la messa a terra dell'alimentazione di ingresso e quella del motore ai terminali PE dell'inverter.



Laddove siano necessari nuclei toroidali di uscita durante l'installazione di un prodotto con filtro C2:

1. Posizionare il nucleo toroidale nel foro della staffa di cablaggio.
2. Far passare i tre conduttori di alimentazione del motore attraverso il centro del nucleo toroidale durante il collegamento con i terminali U, V e W dell'inverter.

Nota: La connessione a terra **non** passa attraverso il centro del nucleo toroidale.

3. I morsetti serracavo in dotazione con la staffa di montaggio devono essere utilizzati per proteggere lo schermo dei cavi liberi, dando luogo a un punto terminale di schermatura a 360°.

Indicazioni per il cablaggio - 740 stack alimentati con circuito intermedio

Collegare i cavi di ingresso CC rispettivamente ai terminali DC+ e DC-. È importante non invertire questi collegamenti.



Collegare i cavi motore trifase ai terminali U, V e W. La rotazione delle fasi è importante affinché la direzione di controllo dell'inverter coincida con la rotazione dell'albero motore.

Quando si esegue il cablaggio di un inverter per utilizzarlo come AFE, i terminali U, V e W vengono utilizzati per il collegamento all'alimentazione di rete trifase.

Eseguire la messa a terra dell'inverter e collegare la messa a terra del motore (o dell'alimentazione di ingresso in caso di applicazione con AFE) ai terminali PE dell'inverter.



Resistenze di frenatura dinamica

ATTENZIONE Isolare l'alimentazione e assicurarsi che l'energia residua sia stata scaricata prima di procedere al cablaggio del prodotto.

Generalmente, le resistenze di frenatura dinamica si usano quando un'applicazione richiede che la potenza rigenerata dal motore venga dissipata. La serie AC30 con telai D - K è dotata di serie di interruttore del freno interno di serie, predisposto per il collegamento con una resistenza dinamica esterna.

Indicazioni per il cablaggio

Laddove sia necessaria una resistenza di frenatura dinamica in caso di applicazione con inverter, collegare i terminali DB+ e DB (telai D - J) oppure i terminali DC+ e DB (solo per telaio K).



ATTENZIONE

Non applicare sorgenti di tensione esterne (alimentazione di rete o altro) ai morsetti di frenatura: DB+, DB. Questa operazione può danneggiare l'unità e l'impianto e comportare rischi per il personale.

Disconnessione filtro interno

ATTENZIONE



Assicurarsi che tutti i cablaggi siano elettricamente isolati e che non possano essere messi sotto tensione.

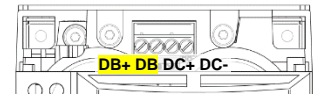
Una volta scollegata l'alimentazione CA o CC, non toccare i terminali o i cavi del filtro per almeno 3 minuti.

Per istruzioni complete sulla modalità di disconnessione del filtro CEM, consultare il manuale di HA503711U001/U002, "Capitolo 4: Installazione - Stack di potenza".

Potenze nominali

Consultare il manuale di HA503711U001/U002/U003, "Appendice D: Codici prodotto serie AC30", per conoscere il codice prodotto.

Telai D - G



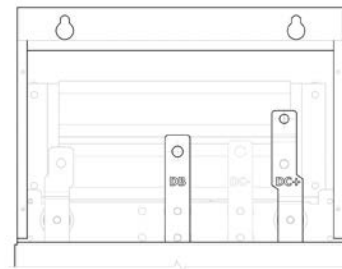
Telaio H



Telaio J



Telaio K



Codice ordine	Potenze servizio normale				Potenze servizio pesante				Telaio
	400 VCA		460 VCA		400 VCA		460 VCA		
	kW	Corrent e di uscita (Arms)	CV	Corrent e di uscita (Arms)	kW	Corrent e di uscita (Arms)	CV	Corrent e di uscita (Arms)	
Alimentazione trifase a 380-480 VCA (±10%) / Alimentazione a 510-650 VCC									
710-4D0004-B2-0S-0000	1.1	3.5	1.5	3	0.75	2.5	1	2.1	D
710-4D0006-B2-0S-0000	2.2	5.5	3	4.8	1.5	4.5	2	3.4	D
710-4D0010-B2-0S-0000	4	10	5	7.6	3	7.5	-	-	D
710-4D0012-B2-0S-0000	5.5	12	7.5	11	4	10	5	7.6	D
710-4E0016-B2-0S-0000	7.5	16	10	14	5.5	12	7.5	11	E
710-4E0023-B2-0S-0000	11	23	15	21	7.5	16	10	14	E
710-4F0032-B2-0S-0000	15	32	20	27	11	23	15	21	F
710-4F0038-B2-0S-0000	18.5	38	25	36	15	32	20	27	F
710-4F0045-B2-0S-0000	22	45	30	40	18.5	38	25	36	F
710-4G0045-B2-0S-0000	22	45	30	40	18.5	38	25	36	G
710-4G0060-B2-0S-0000	30	60	40	52	22	45	30	40	G
710-4G0073-B2-0S-0000	37	73	50	65	30	60	40	52	G
710-4H0087-B2-0S-0000	45	87	60	77	37	73	50	65	H
710-4H0105-B2-0S-0000	55	105	75	96	45	87	60	77	H
710-4H0145-B2-0S-0000	75	145	100	124	55	105	75	96	H
710-4J0180-B2-0S-0000	90	180	125	156	75	145	100	124	J
710-4J0205-B2-0S-0000	110	205	150	180	90	180	125	156	J
710-4J0260-B2-0S-0000	132	260	200	240	110	205	150	180	J
710-4K0315-B2-0S-0000	160	315	250	302	132	260	200	240	K
710-4K0380-B2-0S-0000	200	380	300	361	160	315	250	302	K
710-4K0440-B2-0S-0000	250	440	350	414	200	380	300	361	K
710-4L0530-N2-0S-0000	280	530	450	520	250	480	400	480	L
710-4L0590-N2-0S-0000	315	590	500	590	280	530	450	520	L
710-4M0650-N2-0S-0000	355	650	550	650	315	590	500	590	M
710-4M0700-N2-0S-0000	400	700	600	680	355	650	550	640	M
710-4N0790-N2-0S-0000	450	790	650	770	400	700	600	700	N

1 Famiglia dispositivo	
1	Alimentato con linea AC, IP20
4	Alimentato con circuito intermedio, IP20
2 Filtro CEM	
N	Senza filtro
E	Con filtro categoria C3
F	Con filtro categoria C2

Messa in funzione dell'inverter

- Leggere la sezione Sicurezza nella prima pagina della guida rapida.
- Accertarsi che tutte le norme elettrotecniche locali siano rispettate.
- Controllare l'eventuale presenza di danni.
- Controllare che l'inverter e l'impianto non presentino collegamenti allentati, tagli, residui di limatura, sfridi ecc.
- Controllare tutti i circuiti esterni dell'impianto, ovvero alimentazione, comando, motore e collegamenti a terra.
- Assicurarsi che una rotazione accidentale del motore in qualsiasi direzione non possa provocare danni o infortuni. Scollegare il carico dall'albero motore, se possibile.
- Verificare la condizione dei connettori del termistore motore e della resistenza di frenatura. Controllare che i contatti di marcia esterni siano aperti. Controllare che i setpoint di velocità esterni siano uguali a zero.
- Assicurarsi che nessuno stia lavorando su un'altra parte di impianto che potrebbe essere interessata in caso di accensione.
- Accertarsi che l'accensione non provochi danni ad altre apparecchiature.
- Controllare che i collegamenti dello statore motore siano cablati correttamente a stella o triangolo, come richiesto per la tensione di uscita dell'inverter.
- Controllare che la funzione STO sia stata disabilitata. Vedere la pagina 1-4 di questa guida rapida.
- PERICOLO: alcuni motori non sono adatti all'uso con la funzione STO. Consultare il manuale di HA503711U001/U002, "Capitolo 8..

Dopo aver controllato tutti i collegamenti è possibile ACCENDERE l'inverter

Configurazione dell'inverter

Consultare la sezione "Per iniziare" alla seguente pagina e il manuale di HA503711U003, "Capitolo 6: Procedura guidata di configurazione" e "Appendice C: Riferimento parametri" per informazioni relative ai parametri e ai menu della tastiera grafica.

Dati motore

Per poter configurare l'inverter occorre conoscere alcune informazioni sul motore, reperibili sulla targhetta dei dati nominali. Le informazioni necessarie sono elencate di seguito:

Motore a induzione:

Tensione di base
 Frequenza di base
 Giri/min di base
 Ampere a pieno carico
 Ampere a vuoto (corrente mag.)
 Collegamento (a stella o triangolo)

Motore PM:

Velocità max PM (giri/min)
 Corrente max PM (A)
 Corrente nominale PM (A)
 Coppia nominale PM (Nm)
 Poli motore PM
 Costante di forza elettromotrice inversa K PM (V)
 Tensione di base PM (V)
 Resistenza di avvolgimento PM (Ohm)
 Induttanza avvolgimento PM (mH)
 Costante di coppia Kt PM (Nm/A)
 Costante di tempo termica PM
 Inerzia motore PM (kgm²)

Per iniziare - Procedura guidata di configurazione della tastiera grafica

La tastiera grafica può essere installata in remoto. Per maggiori dettagli, consultare il manuale di HA503711U001/U002, "Capitolo 5: Installazione - Modulo di controllo".

Scopo della procedura guidata di configurazione

Lo scopo della procedura guidata di configurazione è configurare l'unità in modo rapido e conciso.

Per conoscere le funzionalità della tastiera, leggere con attenzione il manuale di HA503711U001/U002, "Capitolo 9: La tastiera grafica", oppure di HA503711U003, "Capitolo 4: La tastiera grafica".

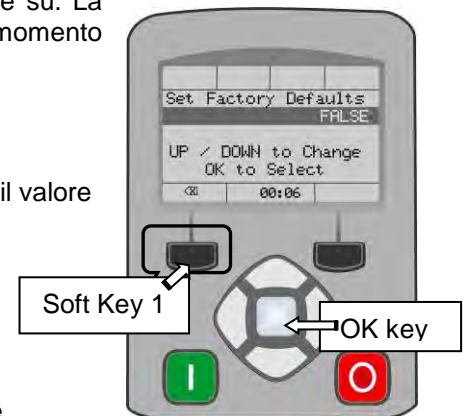
Avvio della procedura guidata di configurazione

L'installazione guidata viene richiamato automaticamente alla prima accensione su. La procedura guidata di configurazione può essere invocato in qualsiasi altro momento premendo il tasto set-up (≡).

Esecuzione della procedura guidata di configurazione

In qualsiasi momento della procedura guidata premendo il tasto OK si seleziona il valore visualizzato e si prosegue con il passaggio successivo. Premendo il tasto **programmabile 1** si torna indietro di un passaggio.

Premendo i tasti SU e GIÙ si modifica il valore selezionato.



Fasi della procedura guidata di configurazione

Dopo aver selezionato il livello di visualizzazione desiderato e la lingua, l'opzione successiva presentata è "Set Factory Defaults". Impostando questo parametro su VERO e premendo OK vengono ripristinate tutte le impostazioni di fabbrica determinate dalla configurazione hardware dell'unità AC30. Lasciando il parametro su FALSO la procedura guidata di configurazione ha inizio con tutti i valori dei parametri precedentemente impostati. Premendo OK senza apportare modifiche ai parametri la configurazione dell'inverter rimarrà invariata.

La parte restante della procedura guidata di configurazione è formata da varie sezioni. Ciascuna sezione corrisponde ad un componente funzionale dell'inverter, ad esempio:

- Selezione applicazione
- Opzione io (compresa l'encoder)
- Dati motore
- controllo motore
- Range di ingressi e uscite analogici.
- Opzioni Fieldbus
- Ethernet integrato
- Auto tune

È possibile saltare le sezioni non richieste.

L'impostazione predefinita dei parametri dipende dalle risposte iniziali e dalla configurazione fisica dell'inverter. Tutti i dati inseriti vengono automaticamente salvati senza richiedere comandi aggiuntivi.

Completamento della configurazione

Dopo aver completato la procedura guidata di configurazione la funzione viene disabilitata automaticamente. Il riavvio dell'inverter non richiede di ripetere la configurazione. (La procedura può comunque essere ripetuta come illustrato nella sezione "Avvio della procedura guidata di configurazione").

Per maggiori dettagli, consultare il manuale di HA503711U003, "Capitolo 6: Procedura guidata di configurazione".

Comunicazioni Ethernet

Collegamento e scollegamento del cavo Ethernet.

Consultare il manuale di HA503711U003, "Capitolo 8: Ethernet" per questa informazione.

CONFORMITÀ

Per una guida completa sulla conformità del prodotto, consultare il manuale di HA503711U001/U002, "Appendice A: Conformità".

Attenzione – In caso di conflitto tra i requisiti EMC e di sicurezza, la sicurezza del personale deve sempre prevalere. L'uso di questa apparecchiatura richiede istruzioni dettagliate di installazione e funzionamento, fornite nel manuale del prodotto.

Attenzione: Questo prodotto fa parte della classe di distribuzione limitata secondo la norma IEC 61800-3. È definito "apparecchiatura professionale" in base alla norma EN61000-3-2 per ciò che riguarda i telai di dimensione D. Prima di effettuare il collegamento a un impianto pubblico di alimentazione a bassa tensione, è necessario ottenere il benestare dall'autorità competente. Le armoniche con dimensioni del telaio da E a N rientrano nei limiti previsti dalla norma IEC6100-3-12:2011 (tabella 4).

In un ambiente domestico il prodotto può causare interferenze radio; in tal caso potrebbe essere necessario adottare misure di attenuazione supplementari.

L'apparecchiatura contiene parti sensibili alle scariche elettrostatiche (ESD). Durante la movimentazione, l'installazione e la manutenzione del prodotto è necessario attenersi alle precauzioni di controllo delle cariche elettrostatiche.

Emissioni EMC

Le emissioni irradiate sono conformi alla norma EN61800-3 categoria C1, C2 e C3 nel caso in cui l'installazione sia stata eseguita secondo le istruzioni del manuale di HA503711U001/U002, "Capitolo 4: Installazione - Stack di potenza".

Se le apparecchiature sono equipaggiate con filtro esterno le emissioni condotte sono conformi alla norma EN61800-3 categoria C3 e C2 senza filtro esterno e categoria C1.

L'immunità è conforme ai requisiti della norma EN61800-3 per le apparecchiature destinate all'uso in ambiente 2.

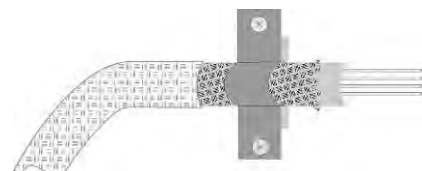
Collegamenti EMC

Per soddisfare i requisiti EMC la "terra di segnale/0V" è da collegare a terra separatamente. Quando in un impianto vengono utilizzate varie unità questi morsetti devono essere collegati insieme, in un unico punto di messa a terra locale.

I collegamenti di comando e segnale richiedono cavi schermati, con la schermatura collegata esclusivamente all'estremità VSD. Se il rumore ad alta frequenza rappresenta ancora un problema, collegare a terra la schermatura all'estremità non VSD tramite un condensatore da 0,1 μ F.

collegare le schermature di comando e segnale (all'estremità VSD) al punto di terra di protezione VSD e non ai morsetti della scheda di controllo.

I cavi motore devono avere un ponticello a 360° per assicurare un collegamento a bassa impedenza, come indicato nella figura.



Disposizione dei cavi

I cavi motore devono essere il più corti possibile.

Per alimentare più motori usare un cavo singolo diretto a un punto di giunzione a stella.

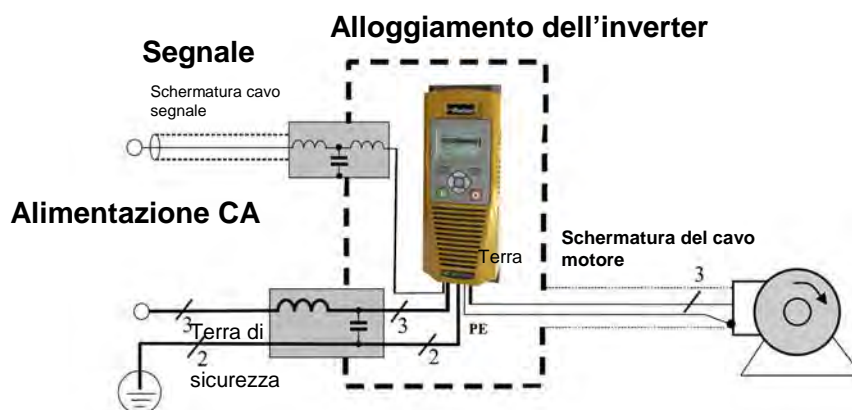
Tenere separati i cavi sensibili da quelli che possono generare interferenze elettriche. Se questo non è possibile, separare i cavi paralleli di almeno 25 cm per i tratti superiori ai 10 metri, aumentando la distanza proporzionalmente.

I cavi sensibili devono incrociare i cavi che possono generare interferenze elettriche a 90° l'angolo.

Non posare i cavi sensibili vicino o paralleli al circuito di motore, DC link e chopper di frenatura.

Non posare i cavi di alimentazione, motore o DC link nello stesso fascio dei cavi di segnale/comando e di retroazione, anche se schermati.

Assicurarsi che i cavi di ingresso e uscita del filtro EMC siano separati e che non siano accoppiati attraverso il filtro.



Esempio AC Fed Inverter mostrato.

Chapter 5 Polski

INFORMACJE DOTYCZĄCE BEZPIECZEŃSTWA

NIESTOSOWANIE SIĘ JAK RÓWNIEŻ NIEWŁAŚCIWY DOBÓR LUB KORZYSTANIE Z PRODUKTÓW OPISANYCH W NINIEJSZYM DOKUMENCIE LUB Z NIMI POWIĄZANYCH MOŻE SPOWODOWAĆ ŚMIERĆ, OBRAŻENIA CIAŁA ORAZ USZKODZENIE MIENIA.

Niniejszy dokument oraz inne informacje dołączone przez firmę Parker-Hannifin Corporation, jej podmioty zależne oraz autoryzowanych dystrybutorów zawierają opisy opcji produktu lub systemu, które są przewidziane dla użytkowników posiadających odpowiednią wiedzę techniczną.

Użytkownik, na podstawie własnych analiz i badań, jest wyłącznie odpowiedzialny za ostateczny wybór systemu i komponentów oraz zapewnienie, że spełnione są wszystkie związane z przewidywanym zastosowaniem wymagania dotyczące parametrów pracy, odporności, konserwacji, bezpieczeństwa i sygnalizacji ostrzegawczej. Do obowiązku użytkownika należy analiza wszystkich aspektów danego zastosowania, przestrzeganie odnośnych norm branżowych oraz stosowanie się do informacji dotyczących produktu podanych w aktualnym katalogu produktowym jak również wszelkich innych materiałów dostarczonych przez firmę Parker lub jej podmioty zależne bądź autoryzowanych dystrybutorów.

W odniesieniu do opcji komponentów lub systemu dostarczanych przez firmę Parker lub jej spółki zależne lub autoryzowanych dystrybutorów na podstawie danych lub specyfikacji dostarczonych przez użytkownika, użytkownik jest odpowiedzialny za zapewnienie, że takie dane i specyfikacje są właściwe i wystarczające dla wszystkich zastosowań i możliwych do przewidzenia przypadków użycia tych komponentów lub systemów.

Wymagania

IMPORTANT: WAŻNE: Prosimy o zapoznanie się z poniższymi informacjami PRZED montażem urządzenia.

OSTRZEŻENIE – Obsługa niniejszego urządzenia wymaga zapoznania się ze szczegółowymi zasadami montażu i obsługi podanymi w Instrukcji montażu i obsługi przewidzianej do stosowania z niniejszym produktem. Instrukcja ta musi być przez cały czas przechowywana z niniejszym urządzeniem. Papierową kopię tej instrukcji można zamówić u dostawcy, który jest wskazany na etykiecie produktu.

Docelowi użytkownicy

Niniejsza broszura musi być dostępna dla wszystkich osób odpowiedzialnych za montaż, konfigurację lub serwisowanie opisanego urządzenia lub wszelkie inne związane z nimi czynności.

Przedstawione informacje mają na celu zwrócenie uwagi na kwestie związane z bezpieczeństwem, kompatybilnością EMC oraz umożliwienie użytkownikom optymalnego korzystania z urządzenia.

Zakres zastosowań

Opisane wyposażenie jest przeznaczone do regulacji prędkości obrotowej przemysłowych silników indukcyjnych lub synchronicznych prądu przemiennego.

Personel

Czynności montażu, obsługi i konserwacji urządzenia powinny być wykonywane przez kompetentny personel. Kompetentny pracownik to osoba, która posiada odpowiednie kwalifikacje techniczne i jest zaznajomiona ze wszystkimi informacjami dotyczącymi bezpieczeństwa i uznanymi praktykami bezpieczeństwa, przebiegiem montażu, obsługą i konserwacją niniejszego urządzenia oraz świadomy występujących zagrożeń.

Ostrzeżenia umieszczone na produkcie

	ZAGROŻENIE Ryzyko porażenia prądem		Uwaga – gorące powierzchnie		Ostrzeżenie Patrz dokumentacja		Uziemienie Zacisk przewodu ochronnego
--	--	---	-----------------------------	---	--------------------------------	---	---------------------------------------

Zagrożenia

ZAGROŻENIE! – zignorowanie poniższych informacji może skutkować powstaniem obrażeń ciała

- Niniejsze urządzenie może stanowić zagrożenie dla życia związane z kontaktem z maszynami wirnikowymi i wysokimi napięciami.
- Urządzenie musi być uziemione na stałe z uwagi na wysoki prąd upływowy a silnik napędowy musi być połączony do odpowiedniego uziemienia.
- Przed rozpoczęciem pracy z urządzeniem upewnić się, że wszelkie doprowadzone zasilanie jest izolowane. Należy pamiętać, że do napędu może być podłączone więcej niż jedno źródło zasilania.
- Przy nie pracującym lub zatrzymanym silniku mogą wciąż występować niebezpieczne napięcia na zaciskach elektrycznych (wyjścia silnika, faz napięcia wejściowego, magistrali DC i hamulca, jeśli jest zainstalowany).
- Do pomiarów należy używać tylko miernika zgodnego z normą IEC 61010 (kategorii CAT III lub wyższej). Zawsze rozpoczynać pomiary przy użyciu najwyższego zakresu wartości. Zabronione jest stosowanie z niniejszym produktem mierników w kategorii CAT I i CAT II.
- Odczekać co najmniej 5 minut, aby umożliwić rozładowanie się kondensatorów napędu do bezpiecznej wartości napięcia (< 50 V). Przy pomocy odpowiedniego miernika przystosowanego do pomiaru napięcia stałego i zmiennego (wartość skuteczna) do 1000 V upewnić się, że napięcie pomiędzy wszystkimi zaciskami zasilania a uziemieniem jest mniejsze niż 50 V.
- O ile nie określono inaczej, NIE jest dozwolone demontowanie niniejszego produktu. W przypadku usterki napęd musi zostać zwrócony do producenta. Patrz punkt „Konserwacja okresowa i naprawy”.
- NIEBEZPIECZEŃSTWO – zadziałanie wyłącznika zabezpieczającego w obwodzie może wskazywać na wystąpienie prądu zwarciovowego. Aby zmniejszyć ryzyko pożaru lub porażenia prądem elektrycznym, należy sprawdzić części będące pod napięciem oraz pozostałe elementy sterownika kontrolera i wymienić w razie ich uszkodzenia.

NIEBEZPIECZEŃSTWO! – zignorowanie poniższych informacji może skutkować powstaniem obrażeń ciała lub uszkodzeniem urządzenia

BEZPIECZE STWO W przypadku wykluczających się wymogów dotyczących kompatybilności EMC i bezpieczeństwa, pierwszeństwo mają zawsze wymogi dotyczące bezpieczeństwa personelu.

- Przed wykonywaniem pomiaru rezystancji izolacji na okablowaniu wysokiego napięcia należy zawsze odłączyć najpierw napęd od sprawdzanego obwodu.
- Aby uniknąć obrażeń lub uszkodzeń urządzenia, należy zapewnić osłony i/lub dodatkowe środki bezpieczeństwa, które zapewniają jednocześnie odpowiednią wentylację.
- Napięcia na wszystkich zaciskach sterowniczych i sygnałowych mają bezpieczne wartości niskie (SELV), tj. są chronione izolacją podwójną. Wszystkie elementy zewnętrznego okablowania muszą mieć parametry znamionowe odpowiadające najwyższemu napięciu systemu.
- Wszystkie metalowe elementy obudowy przemiennika są zabezpieczone przez izolację podstawową i podłączone do uziemienia.
- W przypadku wymiany napędu konieczne jest przed ponownym rozpoczęciem użytkowania prawidłowe zainstalowanie wszystkich parametrów zdefiniowanych przez użytkownika dla określonego zastosowania produktu.
- Czujniki temperatury umieszczone w silniku muszą posiadać przynajmniej izolację podstawową.
- Nie jest zalecane stosowanie z tym produktem wyłączników różnicowoprądowych, w przypadku gdy ich użycie jest wymagane, należy stosować wyłącznie wyłączniki typu B.

KOMPATYBILNOŚĆ EMC

- W środowiskach mieszkalnych niniejszy produkt może powodować zakłócenia fal radiowych, wymagające od użytkownika podjęcia dodatkowych środków zaradczych.
- To urządzenie zawiera części wrażliwe na wyładowania elektrostatyczne (ESD). Przestrzegać zaleceń ochrony elektrostatycznej podczas obchodzenia się, montażu i serwisowania tego produktu.
- Niniejszy produkt należy do zastrzeżonej klasy dystrybucji według normy IEC 61800-3. Został on zaprojektowany jako „wyposażenie profesjonalne”, jak określono w normie EN 61000-3-2 dla ram w rozmiarze D. Przed podłączeniem urządzenia do publicznej sieci niskiego napięcia należy uzyskać zgodę dostawcy energii elektrycznej. Składowe harmoniczne dla ram w rozmiarach od E do N są zgodne z ograniczeniami normy IEC 6100-3-12:2011 (tabela 4).

NIEBEZPIECZE STWO! – Demonta / monta modułu sterowania

Odłączyć zasilanie przed podłączeniem lub odłączeniem modułu sterowania od zespołu głównego przemiennika.

UWAGA!

RYZIKO ZWIĄZANE Z UŻYTKOWANIEM

- Zamieszczone w niniejszym dokumencie specyfikacje, procesy i obwody elektryczne są podane jedynie jako przykładowe i mogą wymagać dostosowania do określonej aplikacji użytkownika. Nie możemy zagwarantować przydatności opisanego w niniejszej instrukcji urządzenia do poszczególnych aplikacji.

OCENA RYZYKA

W przypadku wystąpienia usterki, utraty zasilania lub nieprzewidzianych warunków pracy napęd może działać niezgodnie z oczekiwaniem.

W szczególności:

- Czas rozładowania nagromadzonej energii do bezpiecznego poziomu może trwać dłużej niż sugerowane, a energia ta może występować w układzie nawet mimo to, że napęd jest wyłączony.
- Możliwa jest utrata kontroli kierunku obrotów silnika
- Możliwa jest utrata kontroli prędkości obrotowej silnika
- Możliwy jest zanik zasilania silnika

Napęd jest elementem układu napędowego, który w warunkach awarii może wpływać na jego działanie lub parametry pracy.

W takich sytuacjach należy uwzględnić:

- Ilość nagromadzonej energii
- Odłączenia zasilania
- Logikę działania

INSTRUKCJA SZYBKIEGO URUCHOMIENIA

PRZED ROZPOCZĘCIEM

Niniejszy dokument opisuje czynności niezbędne do pierwszego uruchomienia przemiennika seria AC30. Pierwsze uruchomienie przemiennika powinno być wykonywane przez kompetentnych techników elektryków, którzy są zaznajomieni z przemiennikami prądu zmiennego oraz ich zastosowaniem. Szczegółowe informacje na temat montażu, bezpieczeństwa i zastosowań znajdują się w Instrukcji produktu seria AC30 nr:

1. HA503711U001 — Instrukcja montażu urządzeń z serii AC30: Ramy D–J.
2. HA503711U002 — Instrukcja montażu urządzeń z serii AC30: Ramy K–N.
3. HA503711U003 — Instrukcja oprogramowania urządzeń z serii AC30.

Upewnić się, że montaż przemiennika jest wykonywany zgodnie ze wszystkimi lokalnymi przepisami elektrycznymi. Upewnić się, że wszystkie części będące pod napięciem posiadają osłony zabezpieczające przed porażeniem prądem elektrycznym a nieoczekiwane włączenie obrotów silnika nie spowoduje uszczerbku na zdrowiu lub obrażeń ciała.

Niniejszy dokument zakłada, że przemiennik jest już zamontowany w przewidzianym położeniu zgodnie ze wszystkimi odnośnymi procedurami montażu. Należy upewnić się, że przemiennik posiada odpowiednią wentylację, tak aby temperatura otoczenia w normalnych warunkach pracy nie przekraczała 45°C (112°F).

Zaleca się sprawdzenie, czy na stronie www.parker.com/ssd nie jest dostępne dla tego produktu nowe oprogramowanie typu firmware.

O NINIEJSZEJ INSTRUKCJI SZYBKIEGO URUCHOMIENIA

Niniejsza instrukcja szybkiego uruchomienia zawiera:

- Opis zacisków i działania urządzenia.
- ***Podstawowe** informacje dotyczące montażu i procedurę szybkiej konfiguracji.
- Opis sposobu automatycznego dostrojenia przemiennika i uruchomienia silnika.

** Ponieważ urządzenie AC30 jest produktem do montażu w układach, a jego producent nie zna szczegółów dotyczących konkretnego zastosowania, opisano najszybszy sposób uruchomienia napędu przy użyciu prostego schematu uziemienia z minimalną ilością okablowania sterującego. Szczegółowe informacje, które nie znalazły się w niniejszej skróconej instrukcji, można znaleźć w dokumencie HA503711U001/U002 „Instrukcja montażu urządzeń z serii AC30”.*

Z każdym urządzeniem serii AC30V dostarczane są:

- Instrukcja szybkiego uruchomienia,

Niniejsza instrukcja szybkiego uruchomienia zakłada, że jej użytkownik:

- jest kompetentnym technikiem posiadającym doświadczenie w montażu tego typu urządzeń.
- posiada znajomość właściwych norm i obowiązujących lokalnie przepisów elektrycznych (które mają pierwszeństwo).
- Przeczytał i zrozumiał informacje dotyczące bezpieczeństwa umieszczone przed niniejszą instrukcją szybkiego uruchomienia.
- Jest świadomy, że niniejsza instrukcja zawiera jedynie podstawowe informacje i do zakończenia procedury montażu może być konieczne użycie Instrukcji produktu seria AC30.
- Nie stosuje dostępnej w niniejszym produkcie funkcji bezpieczeństwa STO (Safe Torque Off) i wyłączy ją w sposób opisany w niniejszej instrukcji szybkiego uruchomienia (patrz strona 1–4).

Uwaga dotycząca bezpieczeństwa — Używanie funkcji STO wymaga zapewnienia pełnej zgodności z wytycznymi STO opisanymi w dokumencie HA503711U001/U002 „Rozdział 8: Bezpieczne wyłączanie momentu obrotowego SIL3/PLe”.

WIDOK OGÓLNY

Rysunek przedstawia obudowę wielkości E

Wymowalny moduł wentylatora tylko J - rozmiar D
Możliwość wyjmowania modułu do czyszczenia i wymiany

Demontowane uchwyty montażowe tylko J - rozmiar D

Wbudowany moduł Ethernet
Porty do programowania, monitorowania przemiennika oraz Modbus TCP/IP

Karta pamięci SD
Do zapisu danych konfiguracji przemiennika i tworzenia kopii aplikacji

Moduł I/O ogólnego przeznaczenia (porty GPIO, opcja) i Encoder
Dostępny wybór modułów I/O montowanych przez użytkownika

Zespół główny przemiennika

Klawiatura z wyświetlaczem (GPK)

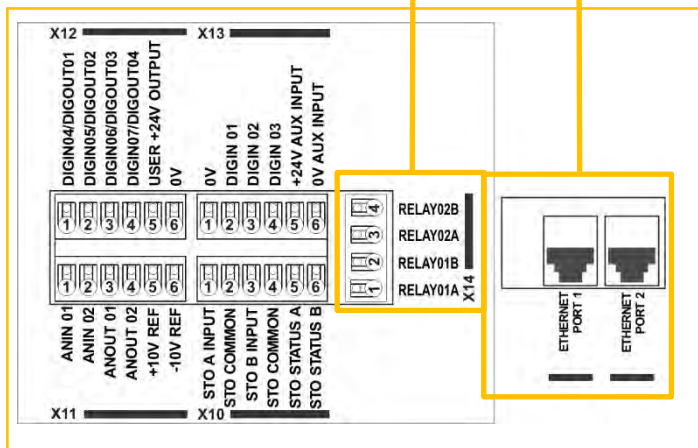
Moduł sterowania

Pokrywa modułu sterowania

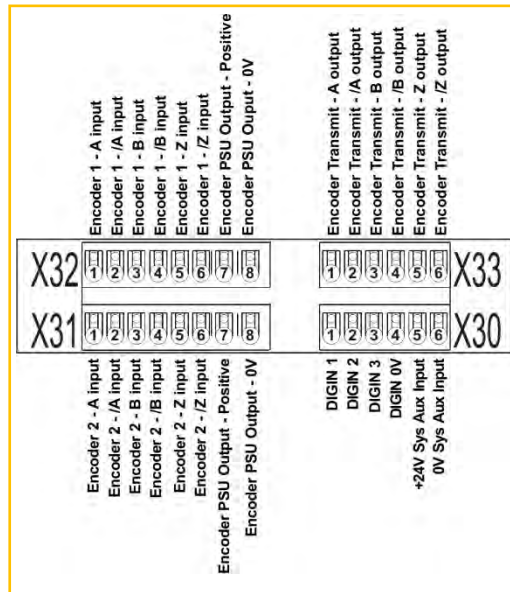
Opcje Fieldbus
Dostępny wybór modułów I/O i komunikacji montowanych przez użytkownika

Połączenia Kontrola okablowania

AC30V AC30D-P



Połączenia Okablowanie System AC30D (tylko)



Funkcja bezpieczeństwa STO (ang. Safe Torque Off)

Aby wyłączyć funkcję STO:
Połączyć zacisk X12/05 z X10/01 i X10/03
Połączyć zacisk X12/06 z X10/04

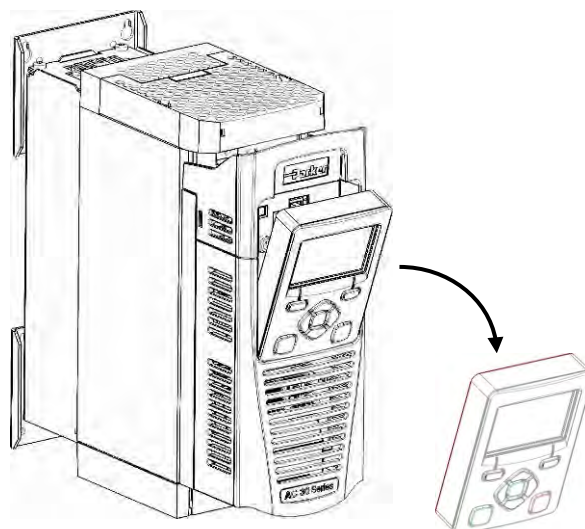
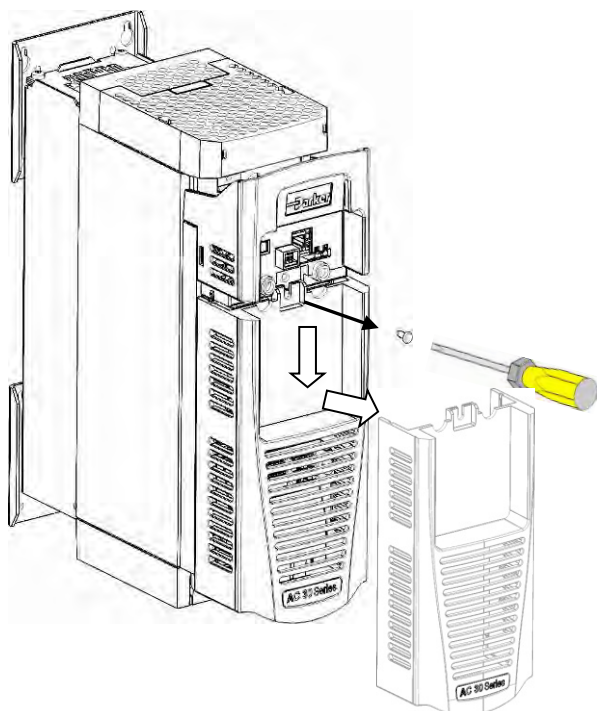
Aby korzystać z funkcji STO użytkownik musi przeczytać i w pełni zrozumieć informacje podane w rozdziale 6 Instrukcji produktu AC30V nr HA503711U001/U002.

Demontaż pokrywy modułu sterowania

Aby uzyskać dostęp do okablowania sterowniczego, należy najpierw zdemontować pokrywę modułu sterowania w następujący sposób:

Najpierw zdemontować moduł GKP pociągając za jego górną krawędź do dołu.

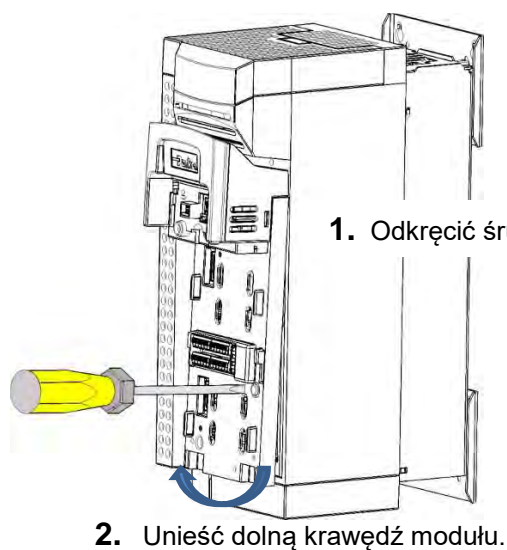
W przypadku montażu wpuszczanego w panelu odkręcić i zdjąć uchwyty montażowe.



Odkręcić śrubę i przesunąć lekko w dół moduł sterowania, a następnie wyjąć.

Demontaż modułu sterowania

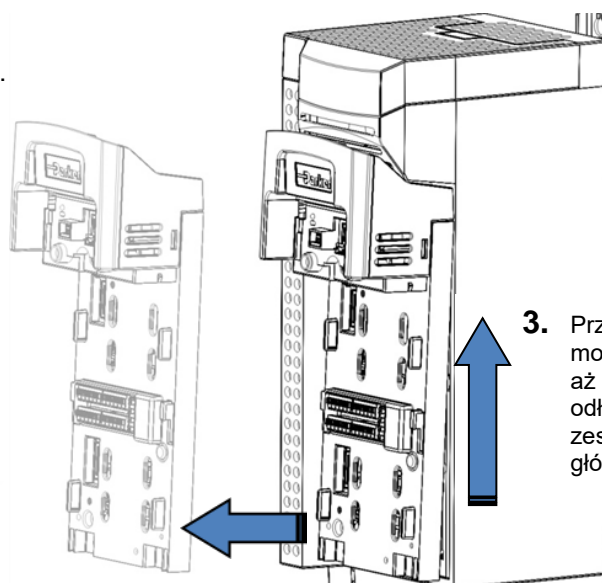
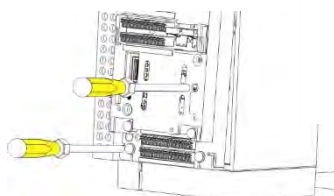
NIEBEZPIECZEŃSTWO Odłączyć zasilanie przed podłączeniem lub odłączeniem modułu sterowania od zespołu głównego przemiennika.



1. Odkręcić śrubę mocującą.

2. Unieść dolną krawędź modułu.

Należy zauważyć, że istnieją dwie śruby do zatrzymywania modułu sterującego AC30D. Możliwość komunikacji, jeżeli występuje, powinna być czasowo usunięta, aby uzyskać dostęp do jednego z tych dwóch śrub.



3. Przesunąć moduł w górę, aż do odłączenia od zespołu głównego.

4. Odchylić moduł od zespołu głównego.

Instrukcja demontażu górnej i dolnej pokrywy

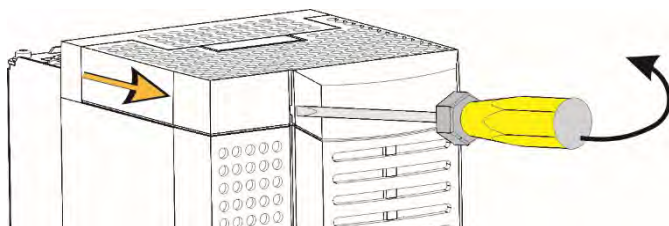
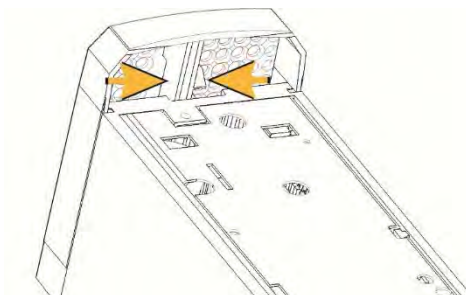
OSTRZEŻENIE Przed zdjęciem pokryw zacisków należy odłączyć zasilanie i upewnić się, że pozostała energia została rozładowana.

Demontaż pokrywy górnej

Górną pokrywę zacisków należy zdemontować w celu podłączenia wejściowych kabli złącza DC lub kabli hamowania do falownika:

Rama D:

1. Wyjąć moduł sterujący.
2. Ścisnąć wspornik.
3. Wysunąć pokrywę do góry, aby ją zdemontować.

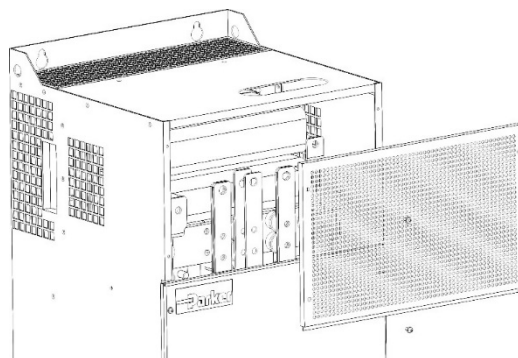


Ramy E–J:

1. Wsunąć śrubokręt do szczeliny.
2. Popchnąć w prawo, aby zwolnić zapadkę.
3. Wysunąć pokrywę do góry, aby ją zdemontować.

Ramy K–N:

1. Odkręcić mocowania, aby wymontować.
Tylko rama K: najpierw należy zdemontować panel przedni.

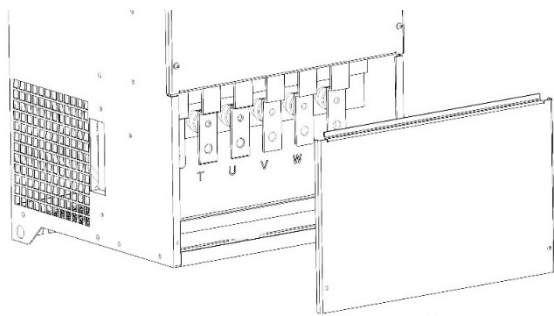
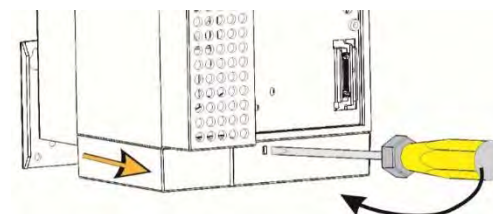


Demontaż pokrywy dolnej

Dolną pokrywę zacisków należy zdemontować w celu podłączenia wejściowych kabli AC lub kabli wyjściowych silnika z falownika:

Ramy D–J:

1. Wsunąć śrubokręt do szczeliny.
2. Popchnąć w lewo, aby zwolnić zapadkę
3. Wysunąć pokrywę do góry, aby ją zdemontować.



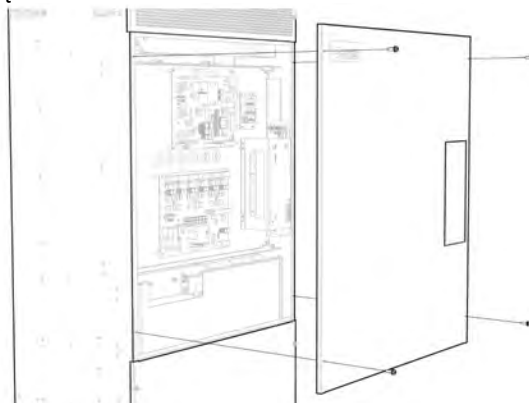
Ramy K–N:

1. Odkręcić mocowania, aby wymontować.

Instrukcja demontażu pokrywy przedniej (tylko ramy K–N)

OSTRZEŻENIE Przed zdemontowaniem przedniej pokrywy należy odłączyć zasilanie i upewnić się, że pozostała energia została rozładowana.

Panel przedni falownika należy zdemontować w celu uzyskania dostępu do płytki drukowanej wyboru napięcia wentylatora. Instalator powinien sprawdzić, czy ustawione napięcie zasilania wentylatora jest prawidłowe. Po zdemontowaniu tego panelu można również uzyskać dostęp do płytki drukowanej filtra liniowego AC oraz w szczególności kondensatorów Y i rozłączników VDR.



Wybór napięcia zasilania wentylatora (tylko ramy K–N)

Po zdemontowaniu przedniego panelu należy upewnić się, że zwora wyboru napięcia zasilania wentylatora jest prawidłowo ustawiona, zgodnie z trójfazowym napięciem zasilania AC napędu lub napięciem zasilania DC napędu.

Gdy napęd jest zasilany napięciem DC, do zasilania wentylatorów głównego kanału chłodzącego wymagane jest pomocnicze zasilanie zewnętrzne 220 V AC. Należy je podłączyć do bloku zacisków TB1.

Napięcie zasilania napędu	Położenie zwory
380–420 V AC	PLG4
440–480 V AC	PLG5
510–650 V DC	PLG6

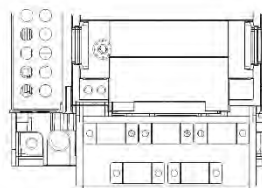
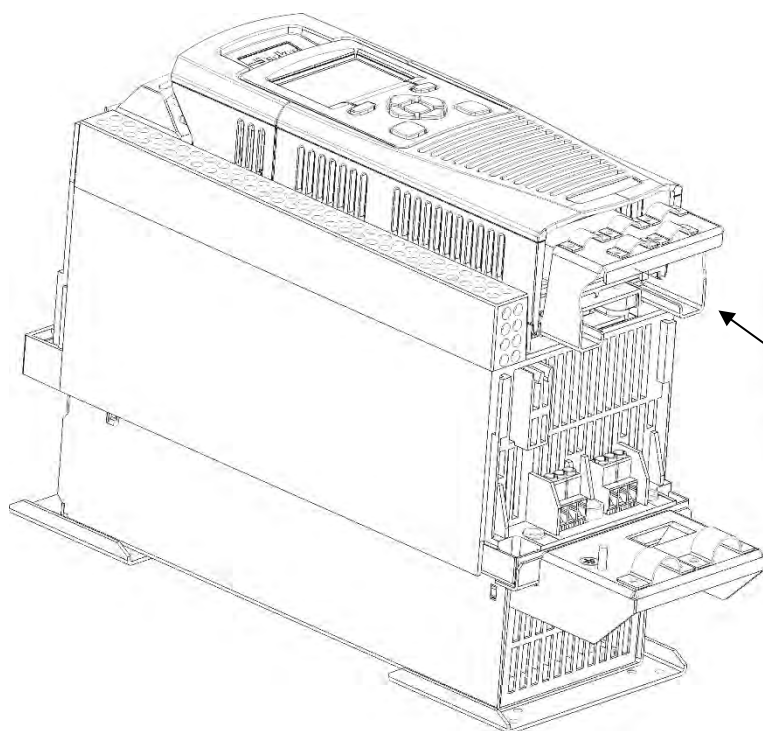
Wspornik okablowania dla kabli sterujących i zasilających (tylko ramy D–J)

Po zdemontowaniu dolnej pokrywy można zamontować wsporniki okablowania, jeśli jest to wymagane.

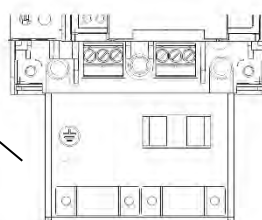
W produktach z filtracją C2 wsporniki okablowania są wyposażeniem standardowym, ponieważ są one używane do ustawienia wyjściowych rdzeni pierścieniowych. Wsporniki można uzyskać od firmy Parker, podając następujące numery części:

Na ilustracji: AC30V rama E

Rozmiar ramy	Numer części zestawu wsporników okablowania	
	Mocowanie panelowe	Mocowanie przelotowe
D	LA501935U001	LA503117U001
E	LA501935U002	LA503117U002
F	LA501935U003	LA503117U003
G	LA501935U004	LA503117U004
H	LA501935U005	LA503117U005
J	LA501935U006	Niedostępne
AC30D	LA501935U007	



Wspornik okablowania



Wspornik okablowania

Połączenia okablowania zasilającego

OSTRZEŻENIE Przed podłączeniem przewodów do produktu należy odłączyć zasilanie i upewnić się, że pozostała energia została rozładowana.

Prawidłowe momenty dokręcania oraz zalecane rozmiary przewodów podano w dokumencie HA503711U001/U002 „Rozdział 4: Montaż — moduł zasilania”.

Szczegóły okablowania — Moduły 710 z zasilaniem AC

Podłączyć wejściowe kable zasilania trójfazowego odpowiednio do zacisków L1, L2 i L3. Kolejność faz nie ma dużego znaczenia.

W podobny sposób podłączyć kable silnika trójfazowego do zacisków U, V i W. Kolejność faz jest ważna w celu zapewnienia spójności między kierunkiem sterowania silnikiem falownika a obrotami wału silnika.

Podłączyć uziemienie zasilania wejściowego oraz uziemienie silnika do zacisków PE falownika.



Jeśli do zamontowania produktu z filtracją C2 wymagane jest użycie wyjściowych rdzeni pierścieniowych:

1. Ustawić wyjściowy rdzeń pierścieniowy w wycięciu we wsporniku okablowania.
2. Przełożyć trzy przewody zasilania silnika przez środek pierścienia podczas ich podłączania do zacisków falownika U, V i W.

Uwaga: Połączenie uziemienia **nie** przechodzi przez środek pierścienia.

3. Przy użyciu zacisków kablowych dostarczonych ze wspornikiem okablowania zacisnąć odsłonięty ekran przewodu, co zapewni 360-stopniowy punkt zakończenia ekranowania.

Szczegóły okablowania — Moduły 740 z zasilaniem DC

Podłączyć kable zasilania DC odpowiednio do zacisków DC+ i DC-. Należy uważać, aby nie zamienić tych połączeń miejscami.



Podłączyć kable silnika trójfazowego do zacisków U, V i W. Kolejność faz jest ważna w celu zapewnienia spójności między kierunkiem sterowania falownikiem a obrotami wału silnika.

W przypadku podłączenia falownika w celu używania go jako AFE zaciski U, V i W są używane do podłączenia do trójfazowego zasilania sieciowego.

Zarówno falownik, jak i uziemienie silnika (lub otrzymywane zasilanie w przypadku zastosowania jako AFE) powinny być uziemione na zaciskach PE falownika.



Rezystory hamowania dynamicznego

OSTRZEŻENIE Przed podłączeniem przewodów do produktu należy odłączyć zasilanie i upewnić się, że pozostała energia została rozładowana.

Rezystory hamowania dynamicznego są z reguły używane w zastosowaniach wymagających rozpraszania energii odzyskanej z silnika. Urządzenia AC30 rama D–K są standardowo wyposażone w wewnętrzny przełącznik hamowania, gotowy do podłączenia do zewnętrznego rezystora hamowania dynamicznego.

Szczegóły okablowania

Jeśli dane zastosowanie falownika wymaga użycia rezystora hamowania dynamicznego (DBR), należy go podłączyć do zacisków DB+ i DB (ramy D–J) lub zacisków DC+ i DB (tylko rama K).

OSTRZEŻENIE



Nie podłączać żadnych zewnętrznych źródeł napięcia (sieciowego ani żadnego innego) do zacisków hamowania: DB+, DB. Może to doprowadzić do uszkodzenia napędu i instalacji oraz stwarza ryzyko dla pracowników.

Odłączanie filtra wewnętrznego

OSTRZEŻENIE



Upewnić się, że wszystkie przewody są elektrycznie odizolowane i nie mogą znaleźć się pod napięciem.

Nie dotykać zacisków filtra ani okablowania przez co najmniej 3 minuty po wyłączeniu zasilania AC lub DC.

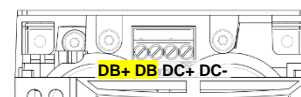
Pełna instrukcja odłączania filtra EMC znajduje się w dokumencie HA503711U001/U002 „Rozdział 4: Montaż — moduł zasilania”:

Dane znamionowe zasilania

Patrz dokument HA503711U001/U002/U003 „Dodatek D: Kody produktów serii AC30”, aby uzyskać informacje na temat kodu produktu.

Kod zamówienia	Wartości znamionowe przy normalnym obciążeniu				Wartości znamionowe przy dużym obciążeniu				Rama
	400 V AC		460 V AC		400 V AC		460 V AC		
	kW	Prąd WY Arms	KM	Prąd WY Arms	kW	Prąd WY Arms	KM	Prąd WY Arms	
Zasilanie trójfazowe 380–480 V AC (±10%)/Zasilanie 510–650 V DC									
710-4D0004-B2-0S-0000	1,1	3,5	1,5	3	0,75	2,5	1	2,1	D
710-4D0006-B2-0S-0000	2,2	5,5	3	4,8	1,5	4,5	2	3,4	D
710-4D0010-B2-0S-0000	4	10	5	7,6	3	7,5	-	-	D
710-4D0012-B2-0S-0000	5,5	12	7,5	11	4	10	5	7,6	D
710-4E0016-B2-0S-0000	7,5	16	10	14	5,5	12	7,5	11	E
710-4E0023-B2-0S-0000	11	23	15	21	7,5	16	10	14	E
710-4F0032-B2-0S-0000	15	32	20	27	11	23	15	21	F
710-4F0038-B2-0S-0000	18,5	38	25	36	15	32	20	27	F
710-4F0045-B2-0S-0000	22	45	30	40	18,5	38	25	36	F
710-4G0045-B2-0S-0000	22	45	30	40	18,5	38	25	36	G
710-4G0060-B2-0S-0000	30	60	40	52	22	45	30	40	G
710-4G0073-B2-0S-0000	37	73	50	65	30	60	40	52	G
710-4H0087-B2-0S-0000	45	87	60	77	37	73	50	65	H
710-4H0105-B2-0S-0000	55	105	75	96	45	87	60	77	H
710-4H0145-B2-0S-0000	75	145	100	124	55	105	75	96	H
710-4J0180-B2-0S-0000	90	180	125	156	75	145	100	124	J
710-4J0205-B2-0S-0000	110	205	150	180	90	180	125	156	J
710-4J0260-B2-0S-0000	132	260	200	240	110	205	150	180	J
710-4K0315-B2-0S-0000	160	315	250	302	132	260	200	240	K
710-4K0380-B2-0S-0000	200	380	300	361	160	315	250	302	K
710-4K0440-B2-0S-0000	250	440	350	414	200	380	300	361	K
710-4L0530-N2-0S-0000	280	530	450	520	250	480	400	480	L
710-4L0590-N2-0S-0000	315	590	500	590	280	530	450	520	L
710-4M0650-N2-0S-0000	355	650	550	650	315	590	500	590	M
710-4M0700-N2-0S-0000	400	700	600	680	355	650	550	640	M
710-4N0790-N2-0S-0000	450	790	650	770	400	700	600	700	N

Rama D–G



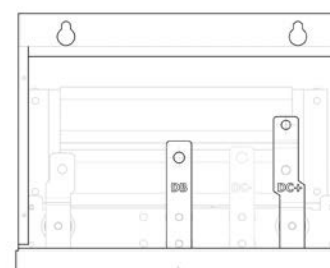
Rama H



Rama J



Rama K



1	Rodzina urządzeń
1	Zasilanie AC, IP20
4	Zasilanie DC, IP20
2	Filtr EMC
N	Brak filtra
E	Zamontowany filtr kat. C3
F	Zamontowany filtr kat. C2

Uruchomienie przemiennika

- Przeczytać informacje dotyczące bezpieczeństwa umieszczone przed instrukcją szybkiego uruchomienia.
- Upewnić się, że montaż przemiennika jest zgodny ze wszystkimi lokalnymi przepisami elektrycznymi.
- Sprawdzić, czy urządzenie nie jest uszkodzone.
- Sprawdzić, czy w przemienniku i instalacji nie ma obciętych końców przewodów, ścinków, opiłków, wiórów powstałych przy wierceniu itp.
- Sprawdź wszystkie zewnętrzne obwody okablowania systemu – zasilania, sterowania, silnika i uziemienia.
- Upewnić się, że przypadkowe włączenie obrotów silnika nie spowoduje uszkodzeń, obrażeń ciała lub urazów. Odłączyć obciążenie od wału silnika, jeśli to możliwe.
- Sprawdzić stan złączy termistora silnika i rezystora hamującego. Sprawdzić, czy zaciski zdalnego sterowania są otwarte. Sprawdzić, czy wartości zdalnych nastaw prędkości mają wartości zerowe.
- Upewnić się, że żaden z pracowników nie znajduje się w obszarze instalacji, w którym powstanie zagrożenie po włączeniu zasilania.
- Upewnić się, że włączenie zasilania nie będzie miało ujemnego wpływu na pracę innych urządzeń.
- Sprawdzić, czy połączenia stojana silnika są prawidłowo podłączone w gwiazdę lub trójkąt jak wymagane dla napięcia wyjściowego przemiennika.
- Sprawdzić, czy funkcja STO została wyłączona. Patrz strona 1–4 niniejszej instrukcji szybkiego uruchamiania.
- NIEBEZPIECZEŃSTWO: niektóre silniki nie mogą być używane z funkcją STO. Patrz dokument HA503711U001/U002 „Rozdział 8.

Po sprawdzeniu stanu wszystkich połączeń możliwe jest WŁĄCZENIE

Konfiguracja przemiennika

Patrz sekcja „Pierwsze kroki” na następnej stronie oraz dokument HA503711U003 „Rozdział 6: Kreator konfiguracji” i „Dodatek C: Parametry”, aby uzyskać informacje na temat menu i parametrów GKP.

Parametry silnika

Przed przystąpieniem do konfiguracji przemiennika, należy przygotować dane znamionowe silnika. Informacje te są podane na tabliczce znamionowej silnika. Wymagane dane są podane poniżej:

Silnik indukcyjny:

Napięcie znamionowe
Częstotliwość znamionowa
Znamionowa prędkość obrotowa
Prąd znamionowy przy pełnym obciążeniu
Prąd jałowy (prąd magnesujący)
Połączenie (gwiazda lub trójkąt)

Silnik PMAC:

Maksymalna prędkość PMAC (obr./min)
Maksymalne natężenie prądu PMAC (A)
Znamionowe natężenie prądu PMAC (A)
Znamionowy moment obrotowy PMAC (Nm)
Bieguny silnika PMAC
Wsteczna siła elektromotoryczna PMAC, stała K (V)
Napięcie podstawowe PMAC (V)
Rezystancja uzwojenia PMAC (omy)
Induktancja uzwojenia PMAC (mH)
Stała KT momentu obrotowego PMAC (Nm/A)
Termiczna stała czasowa PMAC (s)
Bezwładność silnika PMAC (kgm²)

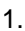
Pierwsze kroki — Kreator konfiguracji GKP

Moduł GKP można zamontować osobno — patrz dokument HA503711U001/U002 „Rozdział 5: Montaż — Moduł sterujący”, aby uzyskać szczegółowe informacje.

Przeznaczenie kreatora konfiguracji

Celem Kreatora konfiguracji jest skonfigurowanie napędu w spójny i przejrzysty sposób. Najpierw należy zapoznać się z dokumentem HA503711U001/U002 „Rozdział 9: Klawiatura graficzna”, lub HA503711U003 „Rozdział 4: Klawiatura graficzna”, w których opisano funkcje klawiatury.

Uruchamianie kreatora konfiguracji

Kreator konfiguracji jest wywoływana automatycznie, gdy napęd jest przywrócenie ustawień fabrycznych. Kreator konfiguracji mogą być powoływane w dowolnym innym momencie, przechodząc do ekranu powitalnego w "górną" drzewa menu ciśnieniowego z kluczem, klawisz  funkcyjny 1.

Praca z kreatorem konfiguracji

W dowolnym momencie pracy z kreatorem naciśnięcie przycisku OK powoduje wybranie wyświetlanej wartości i przejście do następnego etapu. Naciśnięcie **przycisku funkcyjnego 1** powoduje powrót do poprzedniego etapu. Naciśnięcie przycisków UP i DOWN powoduje zmianę wybranej wartości.



Etapy kreatora konfiguracji

Po wybraniu wymaganego poziomu widoku i język, obok przedstawiony jest opcja "Ustaw ustawień fabrycznych". Zmiana wartości parametru na TRUE [TAK] i naciśnięcie przycisku OK powoduje przywrócenie dla wszystkich parametrów ich wartości domyślnych określonych w konfiguracji sprzętowej przemiennika AC30. Pozostawienie wartości FALSE [NIE] powoduje uruchomienie kreatora konfiguracji z wcześniej ustawionymi wartościami wszystkich parametrów. Zatwierdzenie każdej z opcji bez zmiany jej ustawienia przez naciśnięcie przycisku OK nie powoduje żadnych zmian w konfiguracji przemiennika.

Dalszy przebieg kreatora konfiguracji składa się z kilku etapów. Każdy etap odpowiada poszczególnemu elementowi funkcjonalnemu przemiennika, przykładowo:

- Wybór zastosowania
- Option IO (w tym enkodera)
- Parametry silnika
- Zakresy wejść i wyjść analogowych
- Sterowanie silnikiem
- Opcje Fieldbus
- Wbudowany moduł Ethernet
- Samostrojenie

Każdy z etapów może być dowolnie pominięty.

Ustawienia fabryczne dla wszystkich parametrów zależą od wcześniejszych uzgodnień i od fizycznej konfiguracji przemiennika. Wszystkie wprowadzone dane są zapisywane automatycznie, bez konieczności wykonywania jakichkolwiek dodatkowych komend.

Zakończenie konfiguracji

Po przejściu do ostatniego etapu konfiguracji kreator zostanie automatycznie wyłączony. Kolejne włączenie przemiennika nie spowoduje ponownego uruchomienia kreatora konfiguracji (w przypadku konieczności ponownego uruchomienia kreatora konfiguracji postępować zgodnie ze sposobem opisanym powyżej w punkcie „Uruchamianie kreatora konfiguracji”).

Szczegółowe informacje zawiera dokument HA503711U003 „Rozdział 6: Kreator konfiguracji”.

Komunikacja Ethernet

Podłączanie i odłączanie kabla Ethernet.

Patrz dokument HA503711U003 „Rozdział 8: Ethernet”, aby uzyskać wymagane informacje.

KOMPATYBILNOŚĆ

Obszerne informacje dotyczące zgodności produktu są dostępne w dokumencie HA503711U001/U002 „Dodatek A: Zgodność”.

Niebezpieczeństwo - w przypadku wykluczających się wymogów dotyczących kompatybilności EMC i bezpieczeństwa, pierwszeństwo mają zawsze wymogi dotyczące bezpieczeństwa personelu.

Praca z niniejszym urządzeniem wymaga dokładnych instrukcji montażu i obsługi podanych w instrukcji przewidzianej do stosowania z niniejszym produktem.

Uwaga: Niniejszy produkt należy do zastrzeżonej klasy dystrybucji według normy IEC 61800-3. Został on zaprojektowany jako „wyposażenie profesjonalne”, jak określono w normie EN 61000-3-2 dla ram w rozmiarze D. Przed podłączeniem urządzenia do publicznej sieci niskiego napięcia należy uzyskać zgodę dostawcy energii elektrycznej. Składowe harmoniczne dla ram w rozmiarach od E do N są zgodne z ograniczeniami normy IEC 61000-3-12:2011 (tabela 4).

W środowiskach mieszkalnych niniejszy produkt może powodować zakłócenia fal radiowych, wymagające od użytkownika podjęcia dodatkowych środków zaradczych.

To urządzenie zawiera części wrażliwe na wyładowania elektrostatyczne (ESD). Przestrzegać zaleceń ochrony elektrostatycznej podczas obchodzenia się, montażu i serwisowania tego produktu.

Emisje zakłóceń EMC

Emisje promieniowane są zgodne z wymogami normy EN 61800-3 dla kategorii C1, C2 i C3, jeśli urządzenie zostało zamontowane zgodnie z instrukcjami podanymi w dokumencie HA503711U001/U002 „Rozdział 4: Montaż — moduł zasilania”.

Urządzenie bez filtra zewnętrznego spełnia wymagania kategorii C3 i C2 normy PN-EN 61800-3 dotyczące emisji przewodzonych oraz kategorii C1, gdy jest wyposażone w podany filtr zewnętrzny.

Urządzenie spełnia wymagania normy PN-EN 61800-3 dotyczące odporność na zakłócenia dla urządzeń przeznaczonych do stosowania w środowisku drugim.

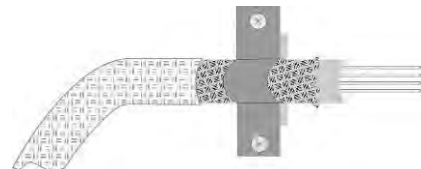
Połączenia EMC

Aby spełnić wymagania EMC zacisk „0V/signal ground” musi być osobno uziemiony. W przypadku użycia w instalacji większej liczby przemienników zaciski te należy podłączyć do wspólnego, lokalnego punktu uziemienia.

Połączenia sterownicze i sygnałowe należy wykonać przy użyciu ekranowanych przewodów, z ekranem podłączonym wyłącznie od strony przemiennika. Jednakże w przypadku występowania zakłóceń wysokiej częstotliwości należy uziemić ekranowanie przewodu również z drugiej strony poprzez kondensator o pojemności 0,1 μF .

Uwaga: podłączyć ekranowanie przewodów sterowniczych i sygnałowych (od strony przemiennika) do punktu uziemienia ochronnego przemiennika, a nie do zacisków listwy sterowniczej.

Połączenie ekranowania przewodów silnikowe należy wykonać na całym swoim obwodzie (360°), jak pokazane na rysunku obok, aby zapewnić niską impedancję połączenia.



Ułożenie okablowania

Stosować możliwie jak najkrótsze przewody silnikowe.

Przy połączeniu w gwiazdę użyć jednego przewodu do zasilania wielu silników.

Układać osobno przewody emitujące zakłócenia elektryczne i wrażliwe na zakłócenia. Jeśli nie jest to możliwe przy równoległym ułożeniu przewody powinny być rozdzielone od siebie z odstępem co najmniej 0,25 metra.

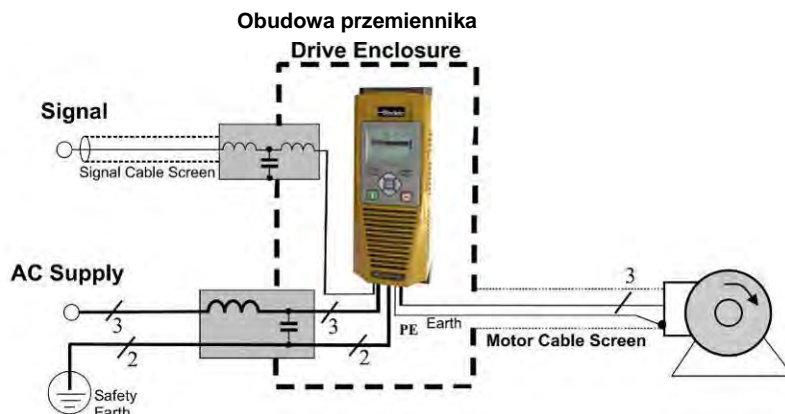
Przy długościach ułożenia większych niż 10 metrów odstęp ten powinien być proporcjonalnie zwiększony.

Przewody wrażliwe na zakłócenia powinny być układane prostopadle do przewodów emitujących zakłócenia pod kątem w halaśliwym kątem 90°.

Nigdy nie układać przewodów wrażliwych na zakłócenia w pobliżu lub równoległe do silnika, obwodu pośredniego DC i obwodu rezystora hamowania.

Nigdy nie układać przewodów zasilania, obwodu pośredniego DC lub przewodów silnikowych w tej samej wiązce co przewody sygnałowe/sterownicze lub przewody sprzężenia zwrotnego, nawet jeśli są one ekranowane.

Upewnić się, że przewody wejściowe i wyjściowe filtra EMC są ułożone osobno i nie krzyżują się wzdłuż filtra.



Przykład AC Fed Przetwornica pokazane.

Chapter 6 Español

INFORMACIÓN DE SEGURIDAD

FALLAS, USOS O SELECCIÓN INADECUADA DEL PRODUCTO DESCRITO EN EL PRESENTE O LOS ARTÍCULOS RELACIONADOS PUEDEN CAUSAR LA MUERTE, LESIONES PERSONALES O DAÑOS A LA PROPIEDAD.

Este documento y otra información de Parker-Hannifin Corporation, sus filiales y distribuidores autorizados proporcionan opciones de productos o sistemas para su posterior investigación por parte de usuarios con idoneidad técnica.

El usuario a través de su propio análisis y evaluación, es responsable exclusivamente de realizar la selección final del sistema y los componentes, y de asegurar que se cumplan todos los requerimientos de rendimiento, resistencia, mantenimiento, seguridad y advertencia. El usuario debe analizar todos los aspectos de la aplicación, seguir los estándares de la industria pertinentes, y seguir la información concerniente al producto en el catálogo de productos actual y en cualquier otro material proporcionado por Parker o sus filiales o distribuidores autorizados.

En la medida en que Parker o sus filiales o distribuidores asociados proporcionen opciones de componentes o sistemas basándose en datos o especificaciones proporcionadas por el usuario, el usuario es responsable de determinar que dichos datos o especificaciones sean adecuados y suficientes para todas las aplicaciones y los usos previsibles razonables de los componentes o sistemas.

Requerimientos

IMPORTANTE: Lea esta Información de seguridad ANTES de instalar el equipo.

ADVERTENCIA: El funcionamiento de este equipo requiere las instrucciones detalladas de instalación y funcionamiento proporcionadas en el manual de Instalación/Funcionamiento elaborado para utilizar con este producto. El envase se debe conservar junto con este dispositivo en todo momento. Se puede solicitar una copia impresa de esta información al proveedor indicado en la etiqueta del producto.

Usuarios al que va dirigido

Este folleto deberá ponerse a disposición de todas las personas que deban instalar, configurar o arreglar el equipo descrito en el presente, o cualquier otra operación asociada.

La información proporcionada tiene como finalidad detallar problemas de seguridad y consideraciones de EMC, y permitir al usuario obtener el máximo beneficio del equipo.





Área de aplicación

El equipo descrito está diseñado para el control de velocidad de motores industriales utilizando, motores de inducción de CA o máquinas sincrónicas de CA.

Personal

La instalación, la operación y el mantenimiento del equipo deben ser realizados por personal competente. Una persona competente es alguien que está técnicamente calificada y familiarizada con toda la información de seguridad y prácticas de seguridad establecidas; con el proceso de instalación, operación y mantenimiento de este equipo, y con todos los peligros involucrados.

Advertencias sobre el producto

	PELIGRO Riesgo de descarga eléctrica		Atención: superficies de temperatura elevada		Precaución Consulte la documentación		Tierra/Suelo Terminal del conductor de protección
--	--	---	--	---	--	---	---

Peligros

AVISO Si se ignora lo siguiente se pueden producir lesiones

1. Este equipo puede poner en peligro la vida mediante la exposición a la maquinaria rotatoria y los altos voltajes.
2. El equipo debe estar permanentemente conectado a tierra debido a corrientes intensas de fuga a tierra, y el motor del dispositivo debe estar conectado a tierra de forma segura y adecuada.
3. Asegúrese de que todos los suministros de entrada estén aislados antes de trabajar en el equipo. Tenga en cuenta que puede haber más de una conexión de suministro a la unidad.
4. Aún puede haber voltajes peligrosos presentes en las terminales eléctricas (salida del motor, fases de entrada de suministro eléctrico, bus de CC y el freno, donde estén colocados) cuando el motor está detenido o parado.
5. Para mediciones utilice solamente un medidor que cumpla con IEC 61010 (CAT III o superior). Comience siempre utilizando el rango más alto. Los medidores que cumplen con CAT I y CAT II no se deben utilizar en este producto.
6. Deje pasar al menos 5 minutos para que los capacitores de la unidad descarguen a niveles de voltaje seguros (<50V). Utilice el medidor específico capaz de medir hasta 1000V cc y ca rms para confirmar que hay menos de 50V entre todas las terminales eléctricas y la tierra.
7. Excepto que se especifique lo contrario, este producto NO se debe desmontar. En el caso de una falla se debe devolver la unidad. Consulte "Mantenimiento de rutina y reparación".
8. **ADVERTENCIA:** La apertura del dispositivo de protección del circuito ramal puede ser una indicación de que se ha interrumpido una corriente de falla. Para reducir el riesgo de incendio o descarga eléctrica, las partes de transporte de corriente y otros componentes del controlador se deben examinar y reemplazar si estuvieran dañadas.

ADVERTENCIA - Ignorar lo siguiente puede resultar en lesiones o daños al equipo

SEGURIDAD

Cuando exista un conflicto entre EMC y los requerimientos de seguridad, la seguridad del personal siempre tendrá prioridad.

- Nunca realice verificaciones de resistencia de alto voltaje en el cableado sin desconectar primero la unidad del circuito que se está probado.
- Mientras se asegura de que la ventilación sea suficiente, proporcione protección y/o sistemas de seguridad adicionales para prevenir lesiones o daños en el equipo.
- Todas las terminales de controles y señal son SELV, es decir, están protegidas mediante doble aislamiento. Asegúrese de que todo el cableado externo esté calificado para el voltaje más alto del sistema.
- Todo metal expuesto en el inversor está protegido por aislamiento básico y conectado a tierra de forma segura.
- Al reemplazar una unidad en una aplicación y antes de volver a utilizarla, es fundamental que todos los parámetros definidos por el usuario para el funcionamiento del producto estén correctamente instalados.
- Los sensores térmicos dentro del motor deben tener al menos aislamiento básico.
- No se recomienda el uso de dispositivos de corriente residual (RCD) para este producto pero, cuando su uso sea obligatorio, solo se deben utilizar RCD de tipo B.

EMC

- En un entorno doméstico este producto puede causar interferencia radial, en cuyo caso se requerirán medidas de mitigación complementarias.
- Este equipo contiene partes sensibles a descargas electroestáticas (ESD). Observe las precauciones de control estático al manipular, instalar y arreglar este producto.
- Este producto pertenece a la clase de distribución de venta restringida conforme a la norma IEC 61800-3. Se considera "equipo profesional" tal y como se define en la norma EN61000-3-2 para tamaños de bastidor D. Antes de efectuar la conexión a la red eléctrica de baja tensión, es necesario obtener el permiso correspondiente de la compañía de suministro eléctrico. Los armónicos de los bastidores E a N se ajustan a los límites de la norma IEC6100-3-12:2011 (tabla 4).

ADVERTENCIA – Extracción/instalación de la unidad de control

Aísle el suministro antes de conectar o desconectar la unidad de control a la pila de alimentación.

PRECAUCIÓN

RIESGO DE APLICACIÓN

- Las especificaciones, procesos y sistemas de circuitos descritos en el presente se brindan solo a modo de orientación y pueden tener que adaptarse a la aplicación específica del usuario. No podemos garantizar la adecuación del equipo descrito en este Manual para aplicaciones individuales.

EVALUACIÓN DEL RIESGO

En condiciones de falla, pérdida de energía o condiciones operativas imprevistas, la unidad puede no funcionar según lo previsto.

En particular:

- La energía almacenada puede no descargarse a niveles seguros tan rápido como se sugiere, e incluso puede estar presente aun cuando la unidad parece estar apagada.
- La dirección del motor de rotación puede no estar controlada.
- La velocidad del motor puede no estar controlada.
- El motor puede estar conectado a la corriente.

Una unidad es un componente dentro de un sistema de propulsión que puede influenciar su funcionamiento o efectos en una condición de falla.

Se debe considerar lo siguiente:

- Energía almacenada
- Desconexiones del suministro de energía
- Lógica de distribución

INICIO RÁPIDO

ANTES DE COMENZAR

En este documento se tratan los pasos necesarios para la puesta en funcionamiento básica de la unidad serie AC30. Las puestas en funcionamiento de la unidad deben ser llevadas a cabo por técnicos en electricidad competentes que estén familiarizados con las unidades AC y sus aplicaciones. Para obtener información detallada acerca de la instalación, la seguridad y las aplicaciones, consulte el manual del producto serie

1. HA503711U001 – Manual de instalación del hardware de la serie AC30: bastidores D - J.
2. HA503711U002 – Manual de instalación del hardware de la serie AC30: bastidores K - N.
3. HA503711U003 – Manual de referencia del software de la serie AC30.

Asegúrese de cumplir con todos los códigos eléctricos locales durante la instalación de la unidad. Compruebe que todas las piezas con tensión estén cubiertas para protegerse contra descargas eléctricas y para que la rotación inesperada del motor no provoque daños corporales o lesiones.

En este documento se espera que la unidad ya se encuentre instalada en su ubicación deseada y que se hayan seguido todos los procedimientos de instalación correspondientes. Asegúrese de que la unidad disponga de ventilación adecuada para que la temperatura ambiente no supere los 45°C (112°F) en condiciones de funcionamiento normales.

ACERCA DE ESTE MANUAL DE INICIO RAPIDO

Este manual de inicio rápido:

- Le permitirá familiarizarse con los terminales y el funcionamiento de la unidad.
- Le proporciona información detallada acerca de la instalación ***básica** y un procedimiento de configuración rápida.
- Le muestra cómo ajustar la unidad automáticamente y sobre cómo poner en marcha el motor.

* *Debido a que la unidad AC30 es un sistema y no disponemos de información acerca de su aplicación, a continuación detallamos el modo más rápido de encender el variador mediante un esquema de conexión a tierra sencillo con un cableado de control mínimo. Consulte el "Manual de instalación del hardware de la serie AC30" HA503711U001/U002 para conocer los elementos que no se describen en esta Guía rápida.*

Con cada unidad serie AC30 se proporciona lo siguiente:

- Manual de inicio rápido.

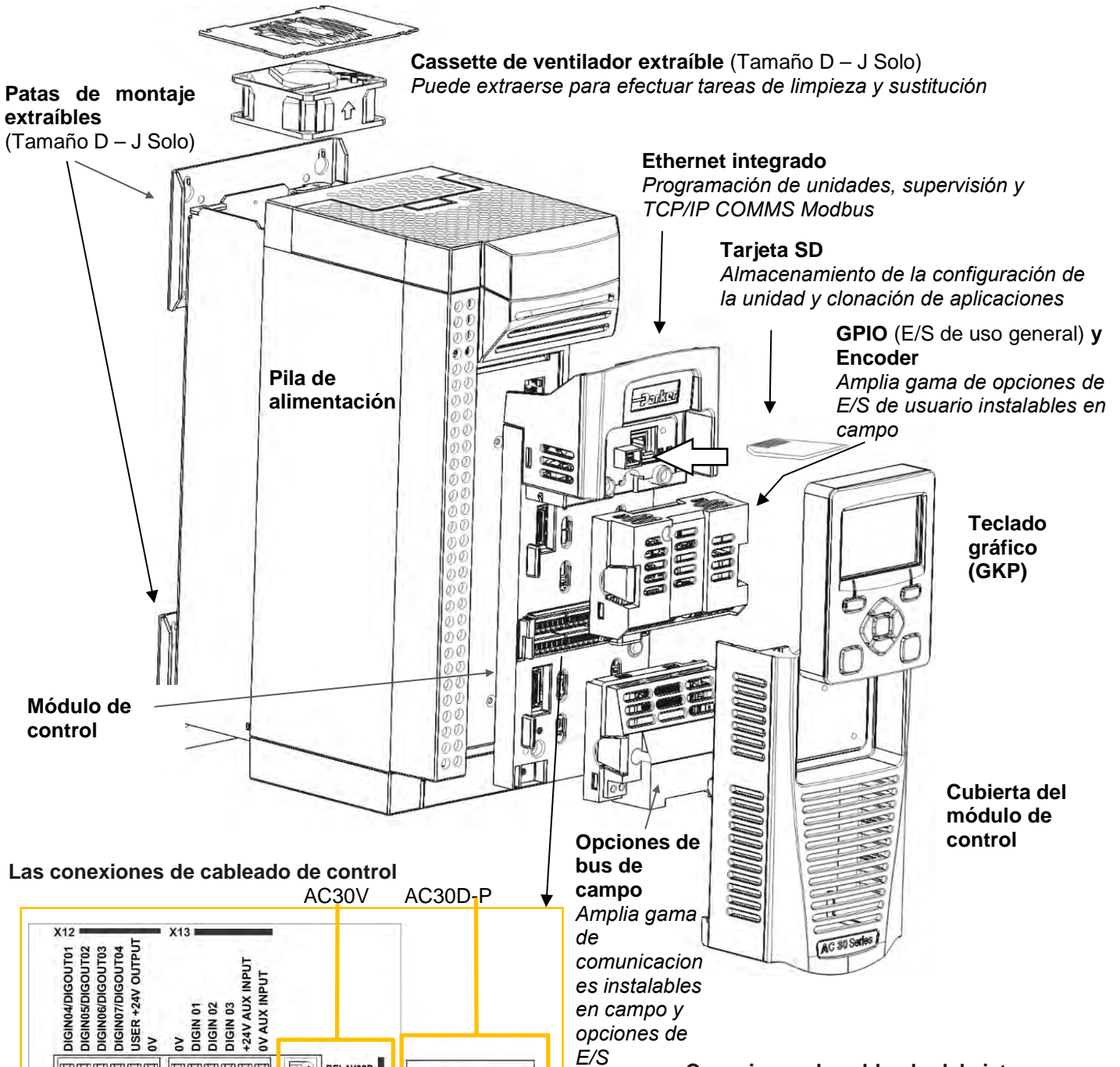
En este manual de inicio rápido se dan por hecho los siguientes aspectos:

- Que es usted un técnico competente que dispone de experiencia en la instalación de este tipo de equipos.
- Que está familiarizado con los estándares correspondientes y con los códigos eléctricos locales (que tienen prioridad).
- Que ha leído y comprendido la información de seguridad proporcionada en la parte frontal de este manual de inicio rápido.
- Que comprende que esta guía solamente contiene información básica y que es posible que necesite consultar el manual del producto AC30 para completar la instalación.
- Que no está utilizando la función STO (Torsión segu. desactivada) de este producto y que la desactivará tal y como se indica en este manual de inicio rápido (consulte la página 1-4).

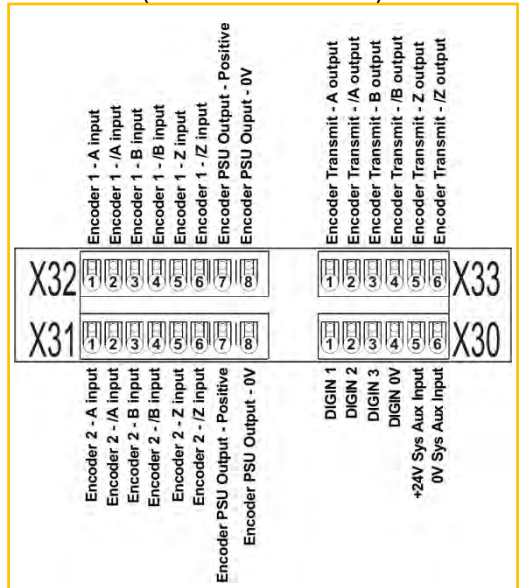
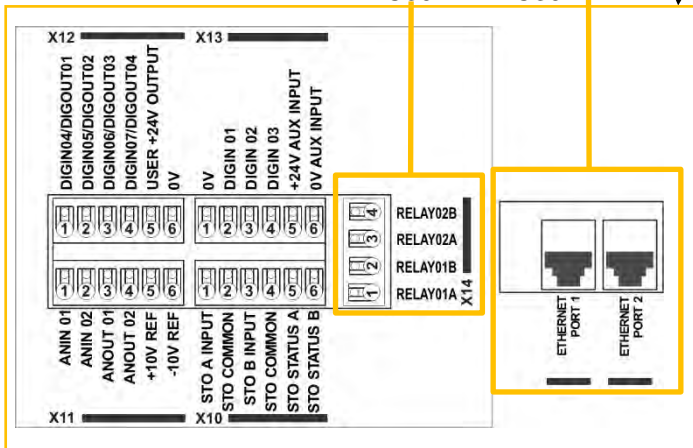
Nota sobre seguridad: el uso de la función STO requiere el cumplimiento total de las directrices de STO descritas en el manual HA503711U001/U002, más concretamente en el "Capítulo 8: Desactivación de par segura SIL3/PLe".

DESCRIPCIÓN GENERAL

Ilustración del marco E



Conexiones de cableado del sistema
(Sólo series AC30D)



Torsión segu. desac.

Para deshabilitar la función STO:
Conecte X12/05 a X10/01 y a X10/03
Conecte X12/06 a X10/04

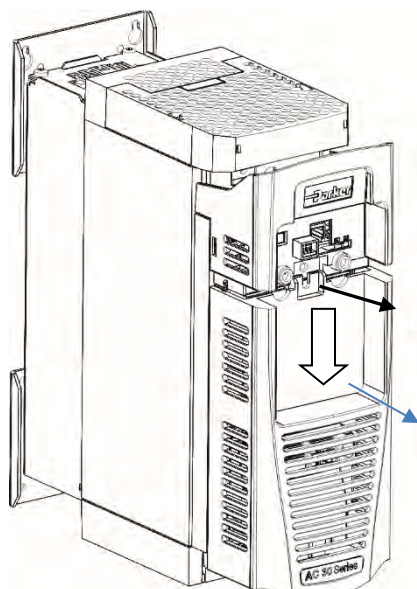
Para utilizar la función STO, el usuario debe leer y comprender completamente el capítulo 6 del manual del producto serie AC30 HA503711U001/U002.

Extracción de la cubierta del módulo de control

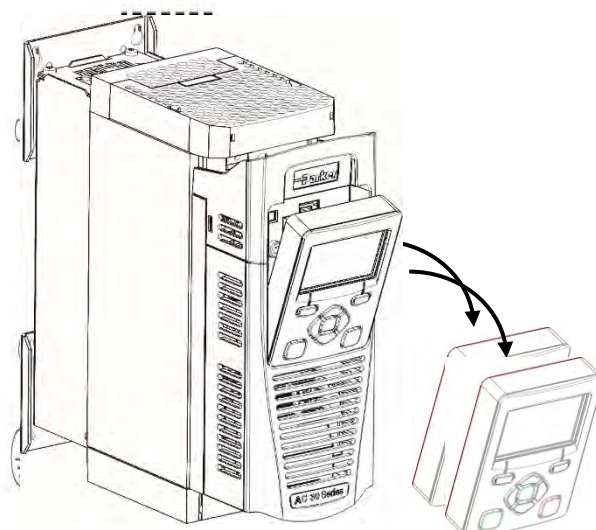
Para obtener acceso al cableado de control, y la tarjeta SD, primero retire la cubierta del módulo de control de la siguiente manera:

En primer lugar, extraiga el GKP tirando de él de arriba abajo y, a continuación, extráigalo.

Para el montaje del panel, desatornille y retire los soportes de montaje.



Desatornille el tornillo, deslice la cubierta del módulo de control hacia abajo ligeramente y, a continuación, extráigala.

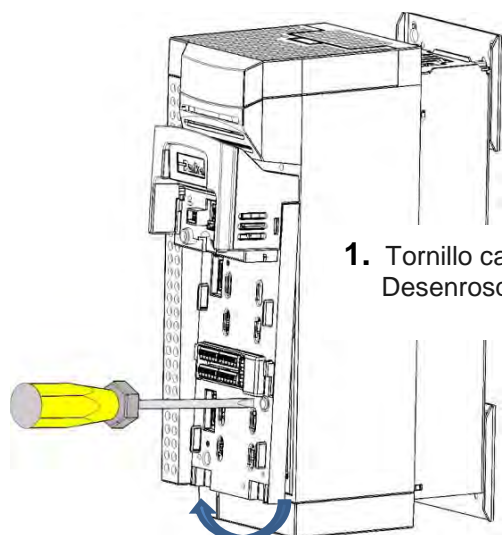


Diagramas del cableado

Los diagramas del cableado y de bloques se encuentran en el Capítulo 6 "Aplicaciones".

Extracción del módulo de control

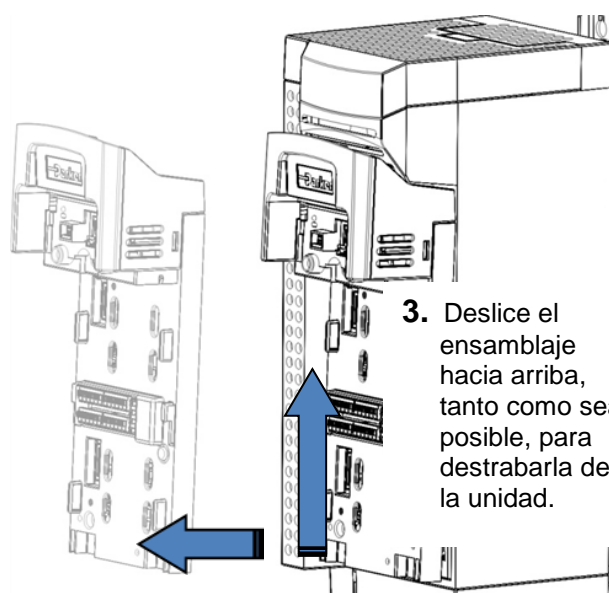
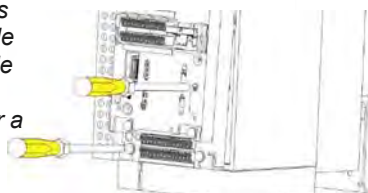
ADVERTENCIA Aísle el suministro antes de conectar o desconectar la unidad de control a la pila de alimentación.



1. Tornillo cautivo
Desenrosque

2. Levante el borde inferior del ensamblaje.

Tenga en cuenta que hay dos tornillos que se usan para retener el módulo de control de series AC30D. La opción de comunicaciones, si las hay, debe retirarse temporalmente para acceder a uno de los dos tornillos.



3. Deslice el ensamblaje hacia arriba, tanto como sea posible, para destrabarla de la unidad.

4. Levante el ensamblaje lejos de la caja eléctrica.

Instrucciones para extraer las cubiertas superior e inferior

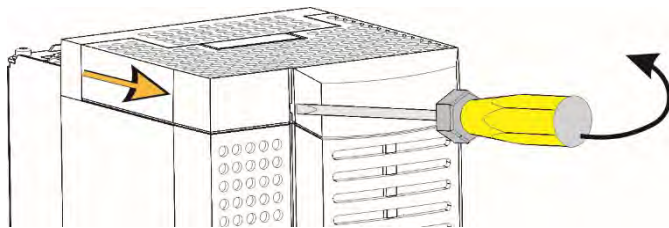
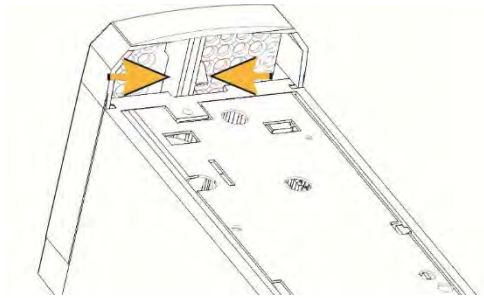
ADVERTENCIA: aíse la fuente de corriente y asegúrese de que se descarga la energía residual antes de extraer las cubiertas de los terminales.

Extracción de la cubierta superior

Es necesario extraer la cubierta superior del terminal para conectar los cables de freno o los cables de entrada del enlace de CC al inversor:

Bastidor D:

1. Extraiga el módulo de control.
2. Apriete el soporte.
3. Deslice la cubierta hacia arriba para extraerla.

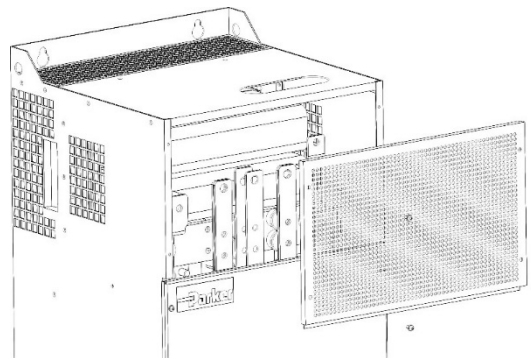


Bastidores E - J:

1. Introduzca un destornillador en la ranura.
2. Empuje hacia la derecha para soltar el cierre.
3. Deslice la cubierta hacia arriba para extraerla.

Bastidores K - N:

1. Desatornille las fijaciones para extraer la cubierta
En el bastidor K, debe extraerse primero el panel delantero.

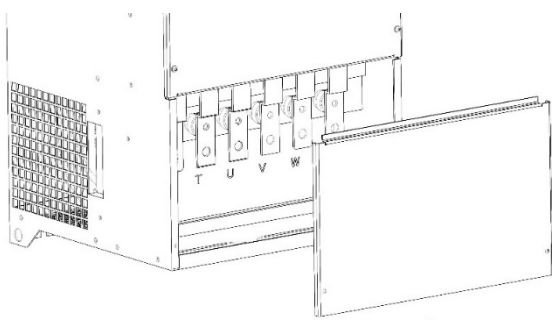
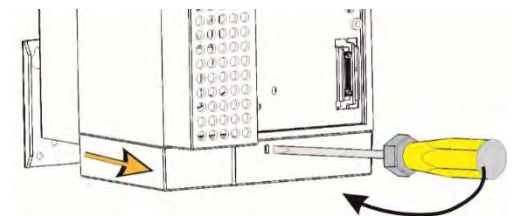


Extracción de la cubierta inferior

Deberá extraerse la cubierta inferior del terminal antes de conectar cualquier cable de entrada de la línea de CA o cable de salida del motor del inversor:

Bastidores D - J:

1. Introduzca un destornillador en la ranura.
2. Empuje hacia la izquierda para soltar el cierre.
3. Deslice la cubierta hacia arriba para extraerla.



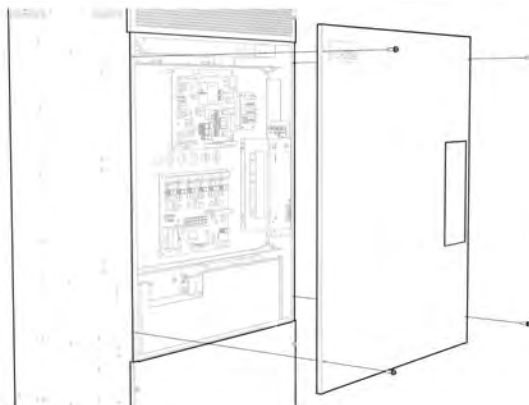
Bastidores K - N:

1. Desatornille las fijaciones para extraer la cubierta.

Instrucciones de extracción de la cubierta delantera (solo bastidores K - N)

ADVERTENCIA: aisle la fuente de corriente y asegúrese de que se descarga la energía residual antes de extraer la cubierta delantera.

Es necesario extraer el panel delantero del inversor para acceder al PCB de selección de la tensión del ventilador. El instalador deberá comprobar que el ventilador está configurado para funcionar con la tensión de alimentación correcta. La extracción de este panel también permite el acceso al PCB del filtro de la línea de CA y, en especial, a las desconexiones de VDR y del tapón en Y.



Selección de la tensión de alimentación del ventilador (solo bastidores K - N)

Con el panel delantero extraído, asegúrese de que el enlace de selección de la tensión de alimentación del ventilador esté correctamente colocado de acuerdo con la tensión de alimentación del variador de CA trifásico o la tensión de alimentación de CC al variador.

Cuando el variador reciba la tensión de alimentación de CC, se necesitará una fuente auxiliar de 220 V CA externa para alimentar a los ventiladores del conducto de refrigeración principal. Los cables deberán conectarse al bloque de terminales TB1.

Tensión de alimentación del variador	Posición del enlace
380-420 V CA	PLG4
440-480 V CA	PLG5
510-650 V CC	PLG6

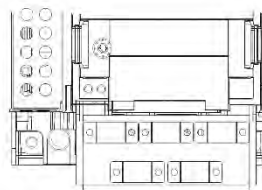
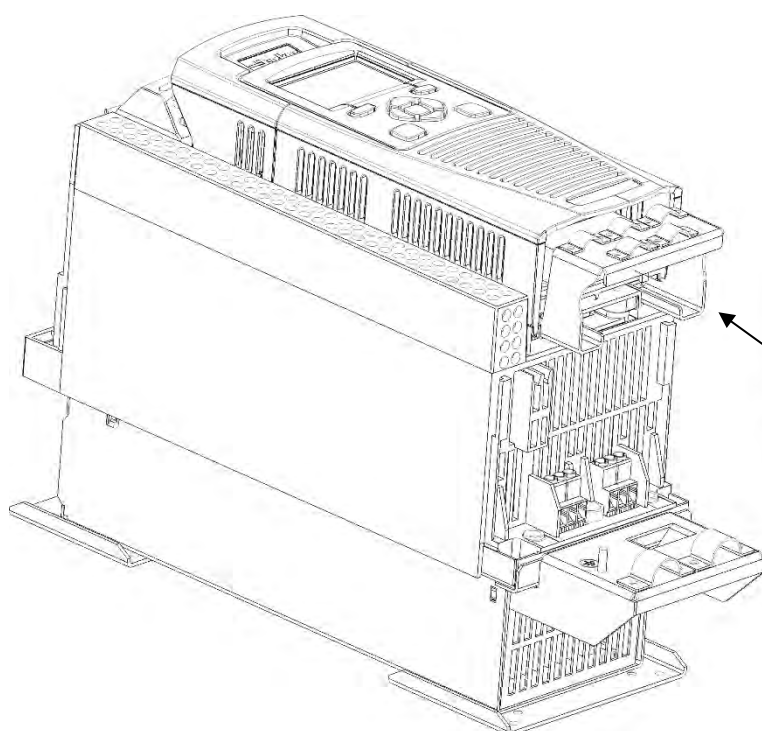
Soporte del cableado para el cable principal y de control (solo bastidores D - J)

Cuando se extraiga la cubierta inferior, podrá instalar los soportes del cableado si es necesario.

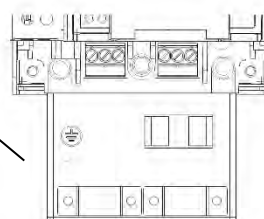
Los soportes del cableado son estándar en los productos filtrados C2, ya que se utilizan para colocar los núcleos anulares de salida. Se pueden obtener de Parker con las siguientes referencias:

Ilustración del AC30V con bastidor E

Tamaño del bastidor	Número de pieza del kit del soporte del cableado	
	Montaje en panel	Panel interior
Pr.	LA501935U001	LA503117U001
E	LA501935U002	LA503117U002
F	LA501935U003	LA503117U003
G	LA501935U004	LA503117U004
Al.	LA501935U005	LA503117U005
J	LA501935U006	No disponible
AC30D	LA501935U007	



Soporte del cableado de control



Soporte de cableado principal

Conexiones del cableado de alimentación

ADVERTENCIA: aisle la fuente de corriente y asegúrese de que se descarga la energía residual antes de conectar el cableado del producto.

Para conocer los pares de apriete correctos y los tamaños de cable recomendados, consulte el manual HA503711U001/U002, "Capítulo 4: Instalación - Pila de alimentación".

Detalles del cableado – Pilas 710 alimentadas por línea de CA

Conecte los cables de alimentación trifásicos a los terminales L1, L2 y L3, respectivamente. La rotación de fases no es crucial.

Asimismo, conecte los cables del motor trifásico a los terminales U, V y W. La rotación de fases es importante para garantizar la consistencia entre la dirección del control del motor del inversor y la rotación del eje del motor.

Conecte la toma a tierra de la alimentación y la toma a tierra del motor a los terminales PE del inversor.



Cuando sea necesario utilizar núcleos anulares de salida al instalar un filtro C2:

1. Coloque el núcleo anular de salida en la muesca del soporte del cableado.
2. Pase los tres conductores de alimentación del motor por el centro del núcleo anular cuando los conecte a los terminales U, V y W del inversor.

Nota: La conexión a masa **no** pasa por el centro del núcleo anular.

3. Deben emplearse las abrazaderas para cables suministradas con el soporte del cableado para sujetar el blindaje del cable expuesto, proporcionando un punto de terminación de blindaje de 360°.

Detalles del cableado – Pilas 740 alimentadas por línea de CC

Conecte los cables de alimentación de CC a los terminales CC+ y CC- respectivamente. Es importante no intercambiar esas conexiones.



Conecte los cables del motor trifásico a los terminales U, V y W. La rotación de fases es importante para garantizar la consistencia entre la dirección del control del inversor y la rotación del eje del motor.

Al conectar los cables de un inversor para emplearlo como un AFE, se utilizan los terminales U, V y W para conectarlos a la fuente de alimentación trifásica.

Conecte a tierra el inversor y la toma de tierra del motor (o la alimentación de entrada para una aplicación AFE) a los terminales PE del inversor.



Resistencias de frenado dinámico

ADVERTENCIA: aisle la fuente de corriente y asegúrese de que se descarga la energía residual antes de conectar el cableado del producto.

Las resistencias de frenado dinámico suelen emplearse cuando una aplicación requiere que se disipe la energía regenerada del motor. Los bastidores D - K de la serie AC30 cuentan con un interruptor de frenado interno que puede conectarse a una Resistencia de frenado dinámico externa.

Detalles del cableado

Cuando sea necesaria una Resistencia de frenado dinámico (DBR) para una aplicación del inversor, conéctela a través de los terminales DB+ y DB (bastidores D - J) o a través de los terminales CC+ y DB (solo el bastidor K).

ADVERTENCIA



No aplique fuentes de tensión externas (como la red eléctrica) a ninguno de los terminales de frenado: DB+, DB. Podría provocar daños en el variador y la instalación y poner en peligro al

personal.

Desconexión del filtro interno

ADVERTENCIA



Asegúrese de que todo el cableado está aislado eléctricamente y no puede "activarse".

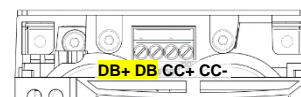
No toque los terminales o el cableado de los filtros durante, al menos, tres minutos después de desconectar la alimentación de CA o CC.

Para obtener instrucciones sobre cómo desconectar el filtro EMC, consulte el manual HA503711U001/U002, "Capítulo 4: Instalación - Pila de alimentación":

Potencias nominales

Consulte el manual HA503711U001/U002/U003, "Apéndice D: Códigos de producto de la serie AC30", para conocer el código del producto.

Bastidores D - G



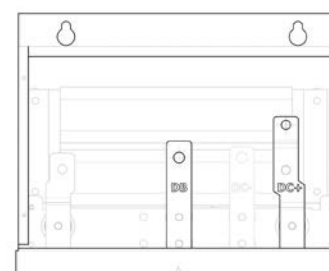
Bastidor H



Bastidor J



Bastidor K



Código de pedido	Capacidad nominal con carga normal				Capacidad nominal con carga pesada				Bastidor
	400 V CA		460 V CA		400 V CA		460 V CA		
	kW	Corriente O/P en Aef	hp	Corriente O/P en Aef	kW	Corriente O/P en Aef	hp	Corriente O/P en Aef	
Alimentación trifásica de 380-480 V CA ($\pm 10\%$) / alimentación de 510-650 V CC									
710-4D0004-B2-0S-0000	1,1	3,5	1,5	3	1,1	2,5	1	2,1	D
710-4D0006-B2-0S-0000	2,2	6,3	3	4,8	1,5	4,5	2	3,4	D
710-4D0010-B2-0S-0000	4	10	5	7,6	3	8,1	-	-	D
710-4D0012-B2-0S-0000	5,5	12	7,5	11	4	10	5	7,6	D
710-4E0016-B2-0S-0000	8,1	16	10	14	5,5	12	7,5	11	E
710-4E0023-B2-0S-0000	11	23	15	21	8,1	16	10	14	E
710-4F0032-B2-0S-0000	15	32	20	27	11	23	15	21	F
710-4F0038-B2-0S-0000	18,5	38	25	36	15	32	20	27	F
710-4F0045-B2-0S-0000	22	45	30	40	18,5	38	25	36	F
710-4G0045-B2-0S-0000	22	45	30	40	18,5	38	25	36	G
710-4G0060-B2-0S-0000	30	60	40	52	22	45	30	40	G
710-4G0073-B2-0S-0000	37	73	50	65	30	60	40	52	G
710-4H0087-B2-0S-0000	45	87	60	77	37	73	50	65	H
710-4H0105-B2-0S-0000	55	105	75	96	45	87	60	77	H
710-4H0145-B2-0S-0000	75	145	100	124	55	105	75	96	H
710-4J0180-B2-0S-0000	90	180	125	156	75	145	100	124	J
710-4J0205-B2-0S-0000	110	205	150	180	90	180	125	156	J
710-4J0260-B2-0S-0000	132	260	200	240	110	205	150	180	J
710-4K0315-B2-0S-0000	160	315	250	302	132	260	200	240	K
710-4K0380-B2-0S-0000	200	380	300	361	160	315	250	302	K
710-4K0440-B2-0S-0000	250	440	350	414	200	380	300	361	K
710-4L0530-N2-0S-0000	280	530	450	520	250	480	400	480	L
710-4L0590-N2-0S-0000	315	590	500	590	280	530	450	520	L
710-4M0650-N2-0S-0000	355	650	550	650	315	590	500	590	M
710-4M0700-N2-0S-0000	400	700	600	680	355	650	550	640	M
710-4N0790-N2-0S-0000	450	790	650	770	400	700	600	700	N

1	Gama del dispositivo
1	Alimentado por línea de CA, IP20
4	Alimentado por línea de CC, IP20
2	Filtro EMC
N	Sin filtro instalado
E	Filtro de categoría C3 instalado
F	Filtro de categoría C2 instalado

Puesta en marcha de la unidad

- Lea la sección Seguridad que se encuentra en la parte frontal del manual de inicio rápido.
- Asegúrese de cumplir con todos los códigos eléctricos locales.
- Compruebe los posibles daños del equipo.
- Asegúrese de que no haya extremos sueltos, recortes, limaduras, virutas de perforación, etc. ni en la unidad ni en el sistema.
- Compruebe todos los circuitos de los cables externos del sistema, conexiones de alimentación, control, motor y tierra.
- Asegúrese de que la rotación inesperada del motor en alguna de las direcciones no provoque daños ni lesiones corporales. Si es posible, desconecte la carga del eje del motor.
- Compruebe el estado del termistor del motor y de los conectores de la resistencia del freno. Asegúrese de que los contactos de ejecución externos están abiertos. Asegúrese de que todos los puntos de ajuste de velocidad externos están a cero.
- Asegúrese que de nadie trabaja en piezas del sistema que puedan verse afectadas por el encendido.
- Asegúrese de que cualquier otro equipamiento no se verá afectado negativamente por el encendido.
- Compruebe que las conexiones del estator del motor estén correctamente establecidas para conexiones en estrella o delta según sea necesario para la tensión de salida de la unidad.
- Compruebe que la función STO se haya deshabilitado. Consulte las páginas 1 a 4 de este manual de inicio rápido.
- PELIGRO: algunos motores no son adecuados para utilizarse con la función STO. Consulte el manual HA503711U001/U002, "Capítulo 8.

Si se han comprobado todas las conexiones, es hora de **ENCENDER la unidad**

Configuración de la unidad

Consulte "Introducción" en la siguiente página y el manual HA503711U003, "Capítulo 6: Asistente de configuración" y "Apéndice C: Referencia de parámetros", para obtener información sobre los parámetros y menús del GKP.

Datos del motor

Antes de intentar configurar la unidad, necesitará cierta información acerca del motor. Dicha información puede encontrarse en la placa de características del motor. A continuación se indica la información que necesitará:

Motor de inducción:

Voltios básicos
Frecuencia base
RPM base
Amperios a plena carga
Ningún amperio de carga (corriente de magnetización)
Conexión (en estrella o delta)

Motor PMAC:

Velocidad máxima del PMAC (rpm)
Corriente máxima del PMAC (A)
Corriente nominal del PMAC (A)
Par nominal del PMAC (Nm)
Polos del motor PMAC
Constante de Fcem K del PMAC (V)
Voltios básicos del PMAC (V)
Resistencia del devanado del PMAC (ohmios)
Inductancia del devanado del PMAC (mH)
Constante de par KT del PMAC (Nm/A)
Constante de tiempo térmico del PMAC (s)
Inercia del motor PMAC (kgm²)

Introducción: asistente de configuración del GKP

El GKP puede instalarse de forma remota; consulte el manual HA503711U001/U002, "Capítulo 5: Instalación - módulo de control", para obtener más detalles.

Objetivo del asistente de configuración

El objetivo del asistente de configuración es configurar el variador de forma clara y concisa.

Primero, familiarícese con el manual HA503711U001/U002, "Capítulo 9: El teclado gráfico", o HA503711U003, "Capítulo 4: El teclado gráfico", para conocer las funciones del teclado.

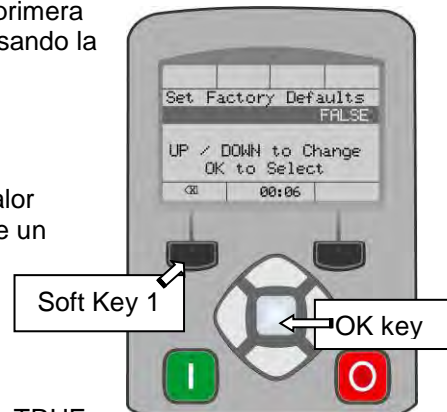
Inicio del asistente de configuración

El asistente de configuración se invoca automáticamente cuando se enciende por primera vez. El asistente de configuración se puede invocar en cualquier otro momento pulsando la tecla de configuración (≡).

Ejecución del asistente de configuración

En cada uno de los puntos del asistente, si se pulsa la tecla OK se selecciona el valor mostrado y se pasa al siguiente paso. Al pulsar la **tecla de software 1** se retrocede un paso.

Al pulsar las teclas UP y DOWN se modifica el valor seleccionado.



Fases del asistente de configuración

La primera opción presentada es "Estab. val. pre. fáb.". Si cambia este parámetro a TRUE y, a continuación, pulsa OK, se volverá a restablecer el valor predeterminado de todos los parámetros determinado por la configuración de hardware de la unidad AC30. Si se deja esta opción como FALSE, el asistente de configuración se inicia con todos los parámetros con sus valores ajustados previamente. Si acepta cada opción sin efectuar ningún cambio mediante la pulsación del botón OK, no se efectuará ningún cambio en la configuración de la unidad.

El resto del asistente de configuración está compuesto por varias secciones. Cada sección se corresponde con un componente funcional de la unidad, por ejemplo:

- Selección de aplicaciones
- opción io (incluyendo el codificador)
- Datos del motor
- Rangos de entrada y salida analógica.
- control del motor
- Opciones de bus de campo
- Ethernet integrado
- Sintonización automática

Si no es necesaria, puede omitirse cualquier sección.

El ajuste predeterminado de todos los parámetros depende de las respuestas anteriores y de la configuración física de la unidad. Todos los datos introducidos se guardan automáticamente sin necesidad de utilizar comandos adicionales.

Finalización de la configuración

Después de seleccionar el nivel de visión necesario y el lenguaje, la siguiente opción que se presenta es "Establecer valores predeterminados de fábrica". Si vuelve a activar la unidad, el asistente de configuración no se ejecutará de nuevo. (Si desea volver a ejecutar el asistente de configuración, puede hacerlo del modo detallado anteriormente en la sección "Inicio del asistente de configuración").

Para obtener más información, revise el manual HA503711U003, "Capítulo 6: Asistente de configuración".

Comunicaciones Ethernet

Conexión y desconexión del cable de Ethernet.

Consulte el manual HA503711U003, "Capítulo 8: Ethernet", para conocer esta información.

CUMPLIMIENTO

Podrá encontrar una guía exhaustiva del cumplimiento normativo de los productos en el manual HA503711U001/U002, "Apéndice A: Cumplimiento normativo"..

Advertencia: cuando exista un conflicto entre EMC y los requisitos de seguridad, la seguridad del personal tendrá prioridad en todo momento.

Para poder utilizar este equipo, es necesario disponer de instrucciones detalladas acerca de la instalación y el funcionamiento que se proporcionan en el manual del producto destinado a utilizarse con este producto.

Precaución: • Este producto pertenece a la clase de distribución de venta restringida conforme a la norma IEC 61800-3. Se considera "equipo profesional" tal y como se define en la norma EN61000-3-2 para tamaños de bastidor D. Antes de efectuar la conexión a la red eléctrica de baja tensión, es necesario obtener el permiso correspondiente de la compañía de suministro eléctrico.

Los armónicos de los bastidores E a N se ajustan a los límites de la norma IEC6100-3-12:2011 (tabla 4)..

En entornos domésticos, es posible que este producto provoque interferencias de radio, en cuyo caso, es posible que resulte necesario tomar medidas de mitigación complementarias.

Este equipo contiene piezas sensibles a descargas electrostáticas. Tenga en cuenta las precauciones de control estático a la hora de manipular, instalar y reparar este producto.

Emisiones de compatibilidad electromagnética

Las emisiones radiadas cumplen con la categoría C1, C2 y C3 de la normativa EN61800-3 cuando se instala de acuerdo con las instrucciones facilitadas en el manual HA503711U001/U002, "Capítulo 4: Instalación - Pila de alimentación".

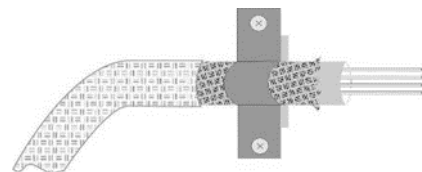
Las emisiones conducidas cumplen con la categoría C3 y C2 de la normativa EN61800-3 sin filtro externo y con la categoría C1 cuando se encuentra instalada con un filtro externo especificado.

La inmunidad cumple con los requisitos de la normativa EN61800-3 para equipos destinados a utilizarse en el segundo entorno.

Conexiones de compatibilidad electromagnética

Para cumplir los requisitos de compatibilidad electromagnética, "conexión a tierra de 0V/señal" debe conectarse a tierra por separado. Cuando se utiliza un número determinado de unidades en un sistema, estos terminales deben conectarse juntos en un punto de conexión a tierra único y local.

Las conexiones de control y de señal deben establecerse mediante cables blindados, con el blindaje conectado únicamente al extremo de la VSD. No obstante, si el ruido de alta frecuencia continúa siendo un problema, conecte el blindaje a tierra en el extremo distinto de la VSD a través de un condensador de capacidad de 0,1µF.



Nota: Conecte los blindajes de control y de señal (en el extremo de la VSD) al punto de conexión a tierra de protección de la VSD, y no a los terminales de la placa de control.

Los cables del motor deben disponer de un enlace de 360° para garantizar la obtención de una conexión de baja impedancia, de acuerdo con el opuesto de la ilustración;

Planificación de la colocación de los cables

Utilice cables de motor de longitud lo más corta posible.

Utilice una sola longitud de cable para establecer la conexión con un punto de intersección en forma de estrella para alimentar a varios motores.

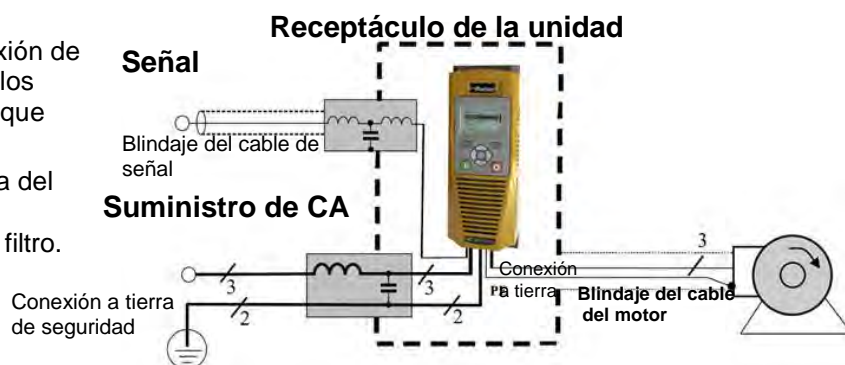
Mantenga los cables que generan ruido eléctrico y los sensibles a la electricidad separados. Si esto no es posible, los cables paralelos deben separarse en al menos 0,25 metros, con cables de más de 10 metros, la separación debe incrementarse de manera proporcional.

Los cables sensibles a la electricidad deberán cruzarse con los que generan ruido eléctrico formando un ángulo de 90°.

No instale nunca cables sensibles cerca de ni en paralelo al motor, a la conexión de CC ni al circuito de corte de frenada a ninguna distancia.

No instale nunca cables de suministro, de conexión de CC ni del motor dentro del mismo conjunto que los cables de señal/control y retroalimentación, aunque estén blindados.

Asegúrese de que los cables de entrada y salida del filtro de compatibilidad electromagnética estén instalados por separado y que no se unan en el filtro.



Ejemplo de CA del inversor muestra Fed

Chapter 7 Svenska

SÄKERHETSINFORMATION

MISSTAG ELLER FELAKTIGA VAL ELLER OLÄMPLIG ANVÄNDNING AV DEN PRODUKT SOM BESKRIVS HÄR ELLER NÄRLIGGANDE UTRUSTNING KAN ORSAKA DÖDSFALL, PERSONSKADA OCH SKADA AV EGENDOM.

Det här dokumentet och annan information från Parker-Hannifin Corporation, dess dotterbolag och auktoriserade distributörer tillhandahåller produkt- eller systemalternativ för vidare undersökning av användare med tekniska expertkunskaper.

Användaren är, genom sin egen analys och testning, ensam ansvarig för att göra det slutgiltiga valet av system och komponenter och för att alla krav vad avser tillämpningens prestanda, uthållighet, underhåll, säkerhet och varningar uppfylls. Användaren måste analysera alla aspekter av tillämpningen samt följa såväl tillämpbara branschnormer som produktinformation i aktuell produktkatalog och i annat material som Parker, dess dotterbolag eller godkända distributörer tillhandahåller.

Såvida Parker, dess dotterbolag, eller auktoriserade distributörer tillhandahåller komponent- eller systemalternativ baserade på data eller specifikationer från användaren, är det användarens ansvar att avgöra om sådana data och specifikationer är lämpliga och tillräckliga för alla tillämpningar och användningsområden som komponenterna eller systemen rimligtvis kan komma att användas för.

Krav

IMPORTANT: VIKTIGT! Läs den här information INNAN du installerar utrustningen.

WARNING! – Användningen av den här utrustningen kräver detaljerade installations- och driftsanvisningar som återfinns i den installations-/driftshandbok som är avsedd att användas tillsammans med produkten. En utskrift av informationen kan beställas från den leverantör som anges på produktetiketten.

Avsedda användare

Den här broschyren ska finnas tillgänglig för alla personer som ska installera, konfigurera eller serva den utrustning som beskrivs här eller utföra en närliggande åtgärd.

Avsikten med informationen är att belysa frågor som rör säkerhet och EMC samt att hjälpa användaren att få ut mesta möjliga av utrustningen.

Tillämpningsområde

Den utrustning som beskrivs här är avsedd att användas för att styra hastigheten på industrimotorer, asynkronmotorer och synkrona servomotorer. permanentmagnetiserade.

Personal

Installation, drift och underhåll av utrustningen måste utföras av kompetent personal. Kompetent personal är någon som har de erforderliga tekniska kvalifikationerna och känner till all säkerhetsinformation och alla vedertagna säkerhetsrutiner som rör installationsprocessen, driften och underhållet av utrustningen samt alla risker som sådant arbete medför.

Produktvarningar

	FARA Risk för elektrisk stöt		Obs! Heta ytor		Försiktighet Se dokumen- tationen		Jord Skyddande ledningsterminal
--	------------------------------------	---	-------------------	---	---	---	---------------------------------------

Faror

FARA! - Om du inte beaktar följande kan det orsaka skador

1. Utrustningen kan sätta liv i fara genom exponering för roterande maskindelar och hög spänning.
2. Utrustningen måste alltid vara jordad pga. den höga jordläckageströmmen. Enhetens motor måste vara ansluten till lämplig säkerhetsjord.
3. Se till att alla inkommande strömförsörjningar är väl isolerade innan utrustningen tas i bruk. Tänk på att fler än en strömförsörjning kan vara ansluten till enheten.
4. Det kan finnas farlig spänning kvar vid strömterminaler (motorutgång, strömångsfaser, likströmsbuss och -bromschopper, i förekommande fall) även när motorn står still eller har stoppats.
5. För mätningar ska endast mätare som uppfyller IEC 61010 användas (CAT III eller högre). Börja alltid med den högsta klassningen. CAT I- och CAT II-mätare får inte användas.
6. Ge enhetens kondensatorer minst 5 minuter för urladdning till säkra spänningsnivåer (<50 V). Använd angiven mätare med mätkapacitet på upp till 1000 V DC & AC RMS för att bekräfta att spänningen är lägre än 50 V mellan alla strömterminaler och jorden.
7. Om inte annat anges får produkten INTE tas isär. Om ett fel skulle inträffa måste enheten returneras. Se "repair and maintainance".
8. **WARNING** – Om säkringen före enheten har löst ut skall enheten undersökas eller helt bytas ut.

WARNING! - Om du inte beaktar följande kan det orsaka personskador eller skador på utrustningen

SÄKERHET

Om det finns en konflikt mellan EMC- och säkerhetskraven ska den personliga säkerheten alltid prioriteras.

- Kontrollera aldrig högspänningsmotståndet i kablaget utan att först koppla bort enheten från den krets som testas.
- Se till att ventilationen är fullgod och använd skydds- och säkerhetssystem för att förhindra att personer eller utrustningen skadas.
- Alla styr- och signalterminaler uppfyller SELV, dvs. är dubbelt isolerade. Se till att allt externt kablage är klassat för systemets högsta spänning.
- All exponerad metall i växelriktaren skyddas av grundisolering och är ansluten till säkerhetsjord.
- När du byter ut en enhet i en tillämpning och innan den tas i bruk igen måste alla användardefinierade parametrar för driften ställas in korrekt.
- Termalsensorerna i motorn måste ha minst grundisolering.
- Vi rekommenderar inte att jordfelsbrytare (RCD) användas med produkten, om det är ett krav får bara (RCD) typ B användas.

EMC

- I en bostadsmiljö kan produkten orsaka radiostörningar; i så fall måste särskilda åtgärder vidtas.
- Utrustningen innehåller delar som är känsliga för elektrostatisk urladdning. Använd antistatiska skyddsåtgärder när produkten hanteras, installeras och servas.
- Det här är en produkt som ingår i klassen varor med begränsad försäljningsdistribution enligt IEC 61800-3. Den klassas som "professionell utrustning" enligt definitionen i EN61000-3-2 för ramar storlek D. Tillstånd från behörig myndighet ska inhämtas innan utrustningen ansluts till lågspänningsförsörjning. Ramstorlekar E till N övertoner överensstämmer med gränsvärdena i IEC6100-3-12:2011 (tabell 4).

WARNING! – Borttagning/montering av kontrollenhet

Isolera försörjningen innan du ansluter eller kopplar bort kontrollenheten från nätaggregatet.

WARNING!

RISK VID OLIKA TILLÄMPNINGAR

- De specifikationer, processer och kretsar som beskrivs här är endast för vägledning och kan behöva anpassas till den aktuella tillämpningen. Vi kan inte garantera att den utrustning som beskrivs här är lämplig för den aktuella tillämpningen.

RISKBEDÖMNING

I samband med fel, strömförlust eller oönskade driftsförhållanden kanske inte enheten fungerar som avsett.

Det gäller i synnerhet följande:

- Lagrad energi kanske inte urladdas till säkra nivåer så snabbt som angetts och kan finnas kvar även sedan enheten verkar vara avstängd
- Motorns rotationsriktning kanske inte kan styras
- Motorns hastighet kanske inte kan styras
- Motorn kan ha blivit strömförande

En enhet är en komponent i enhetssystemet som kan påverka dess drift eller effekter när ett fel inträffat.

Man måste ta med följande i beräkningen:

- Lagrad energi
- Bortkopplingar av strömförsörjningen
- Logisk ordningsföljd

SNABBSTART

INNAN DU STARTAR

I det här dokumentet beskrivs de steg som ingår i en normal start av AC30-enheten. Enheten ska startas av en kvalificerad eltekniker som behärskar frekvensomriktare och hur de kan användas. Detaljerad information om installation, säkerhet och tillämpningar finns i produkthandboken för AC30:

1. HA503711U001 – Installationsmanual för AC30-seriens maskinvara: Ramarna D–J.
2. HA503711U002 – Installationsmanual för AC30-seriens maskinvara: Ramarna K–N.
3. HA503711U003 – Referensmanual för AC30-seriens programvara.

Se till att alla lokala elnormer uppfylls under installationen. Kontrollera att alla strömförande delar är täckta för att skydda mot elektriska stötar och se till att motorn inte oavsiktligt börjar rotera, vilket kan orsaka skador.

I detta dokument utgår vi från att enheten redan är installerad på avsedd plats och att alla relevanta installationsrutiner har fullföljts. Se till att enheten är tillfredsställande ventilerad så att den omgivande temperaturen inte överstiger 45°C vid normal drift.

Vi föreslår att du kontrollerar om ny så kallad firmware finns tillgänglig på www.parker.com/ssd

OM DENNA SNABBSTART

Denna Snabbstart är till för att:

- Bekanta dig med enhetens terminaler och drift.
- Tillhandahålla ***grundläggande** installationsinformation och en rutin för snabbinställning av enheten.
- Visa hur du använder funktionen för automatjustering (Autotune) och startar motorn.

** Eftersom AC30 är en systemprodukt och vi inte vet hur du avser att använda den beskriver vi här det snabbaste sättet att ta enheten i drift med ett enkelt jordningsschema och minimalt styrningskablage. Se HA503711U001/U002 "Installationsmanual för AC30-seriens maskinvara" för objekt som inte omfattas i denna snabbguide.*

Med varje AC30-enhet följer:

- Snabbstart.

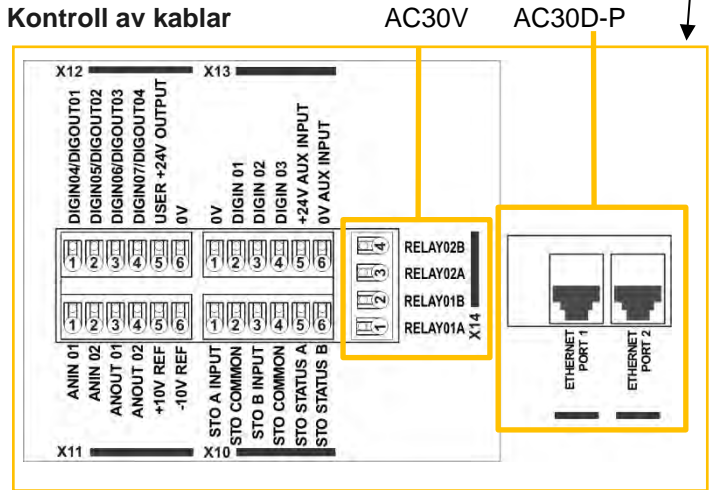
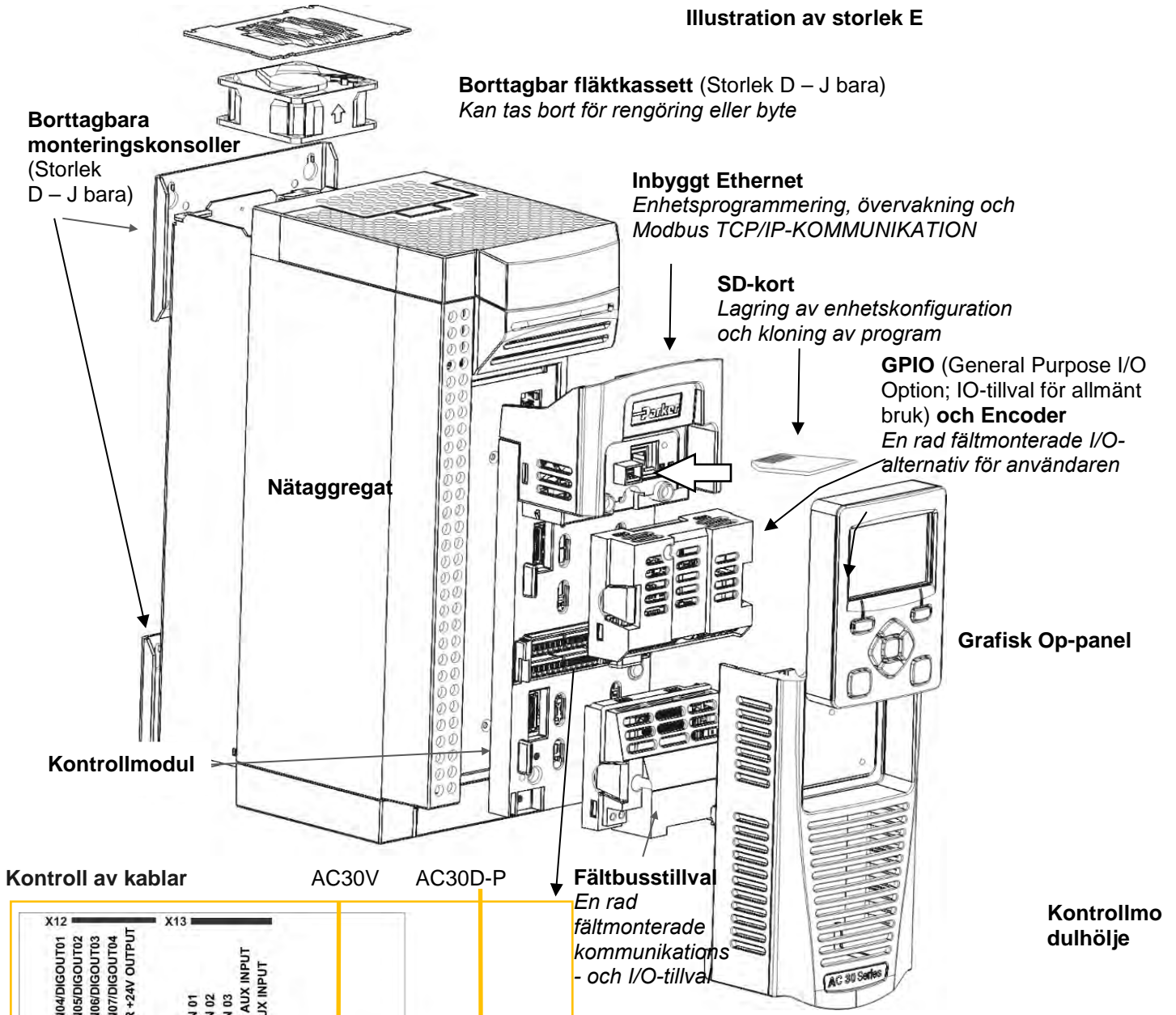
I denna Snabbstart görs följande antaganden:

- Du är behörig tekniker med erfarenhet av att installera den här typen av utrustning.
- Du är förtrogen med relevanta standarder och lokala elnormer (som äger företräde).
- Du har läst och förstått den säkerhetsinformation som inleder denna Snabbstart.
- Du inser att den här broschyren bara innehåller information på grundnivå och att du kan behöva använda produktmanualen för AC30 för att fullfölja installationen.
- Du använder inte produktens STO-funktion (Safe Torque Off; säker vridmomentsavstängning) och kommer att inaktivera den enligt anvisningarna i denna Snabbstart (se sidan 1–4).

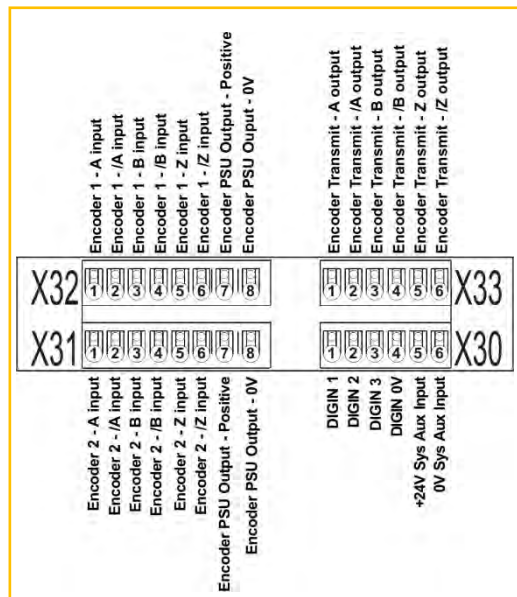
Säkerhetsanmärkning – Användning av STO-funktionen kräver full överensstämmelse med STO-riktlinjerna som beskrivs i HA503711U001/U002 "Kapitel 8: Safe Torque Off (säker vridmomentsavstängning) SIL3/PLe".

ÖVERSIKT

Illustration av storlek E



Systemet Kabelanslutningar (endast AC30D)



Safe Torque Off (säker vridmomentsavstängning)

Så här inaktiverar du STO:
Anslut X12/05 till X10/01 och X10/03
Anslut X12/06 till X10/04

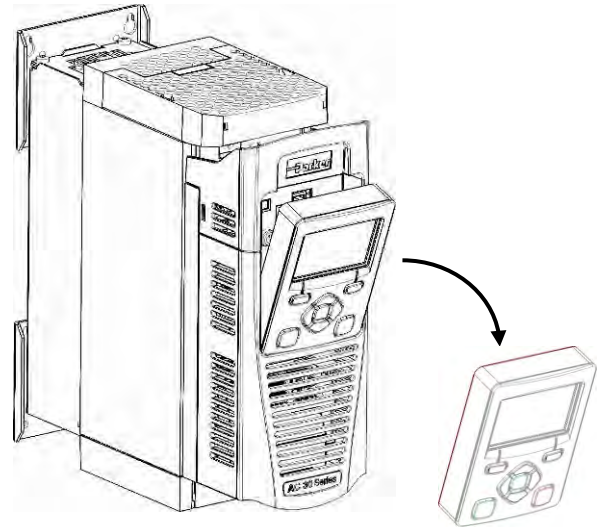
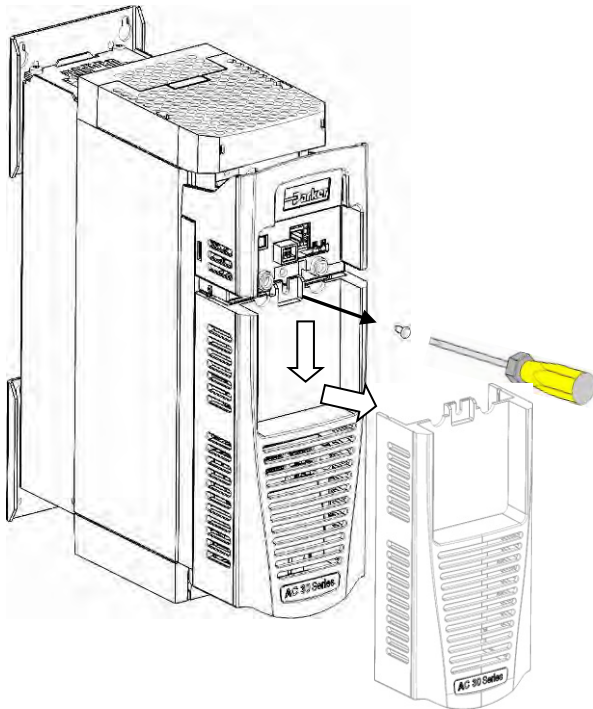
För att du ska kunna använda STO-funktionen måste du läsa och fullt ut förstå kapitel 6 i produktmanualen för AC30V, HA503711U001/U002.

Ta bort kontrollmodulens hölje

För att få tillgång till ledningar kontroll, och SD-kort, ta först bort styrmodulen locket på följande sätt

Ta först bort operatörspanelen genom att dra uppifrån och ned, och ta bort.

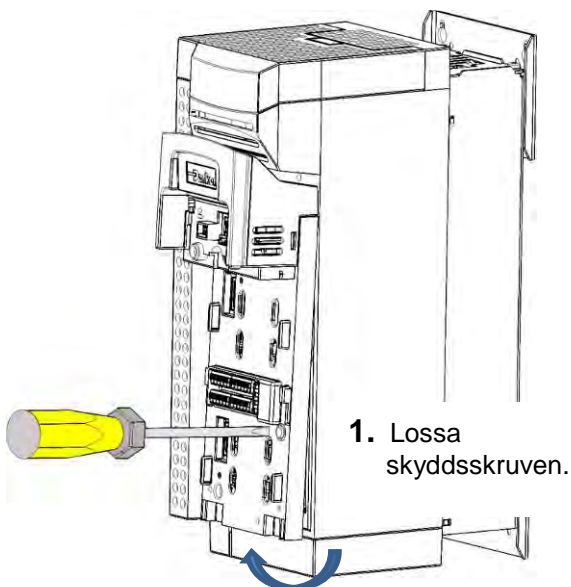
För montering genom panel skruvar du loss och tar bort monteringskonsollerna.



Lossa skruven, dra höljet något nedåt och ta sedan bort det.

Ta bort kontrollmodulen

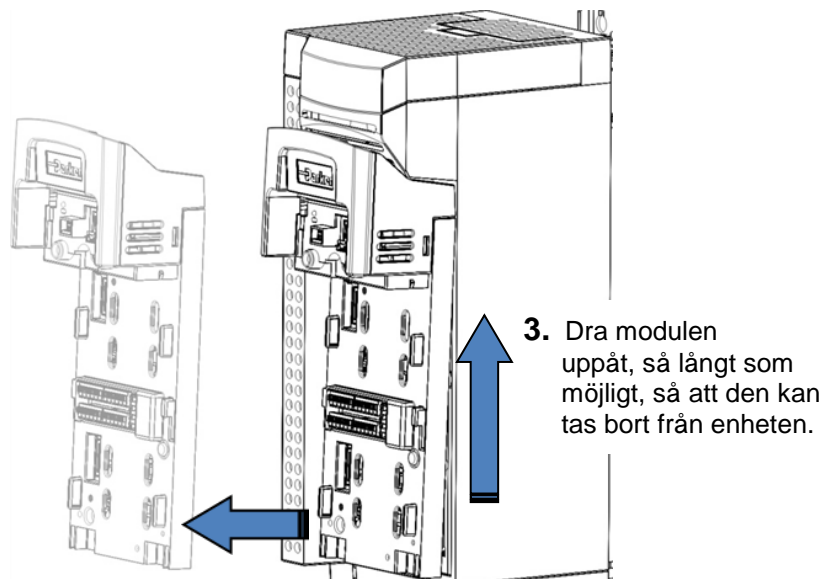
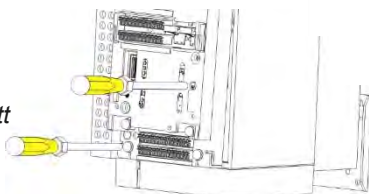
VARNING! Isolera försörjningen innan du ansluter till eller kopplar bort kontrollenheten från nätaggregatet.



1. Lossa skyddsskruven.

2. Lyft modulens lägre kant.

Observera att det finns två som används för att hålla kvar AC30D styrmodulen skruvar. Alternativet kommunikation, om sådan finns, bör tillfälligt bort för att få tillgång till en av de två skruvarna.



3. Dra modulen uppåt, så långt som möjligt, så att den kan tas bort från enheten.

4. Lyft modulen bort från nätaggregatet.

Instruktioner för att ta bort den övre och nedre kåpan

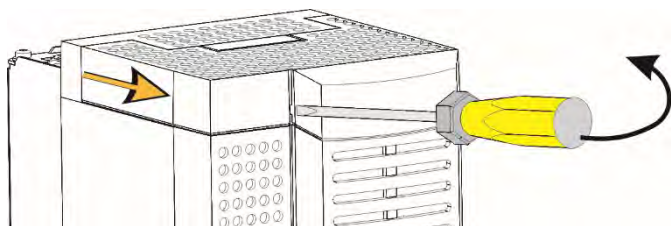
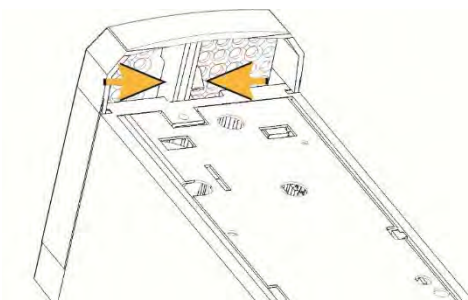
VARNING Isolera försörjningen och säkerställ att restenergi laddas ur innan du tar bort anslutningskåporna.

Ta bort den övre kåpan

Den övre kåpan måste tas bort för att man ska kunna ansluta DC-länkinmatningskablarna eller bromskablarna till växelriktaren:

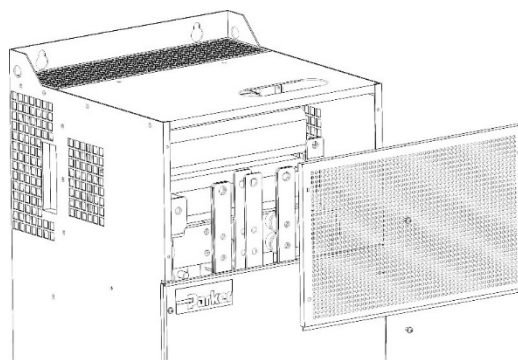
Ram D:

1. Ta bort styrmodulen.
2. Kläm fästet.
3. Skjut upp skyddet för att ta av det.



Ramarna E–J:

1. Sätt in en skruvmejsel i spåret.
2. Tryck åt höger för att lossa haken.
3. Skjut upp skyddet för att ta av det.



Ramarna K–N:

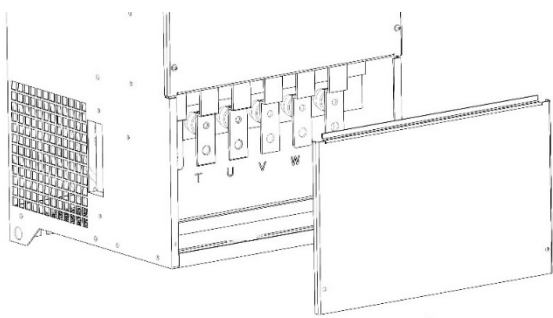
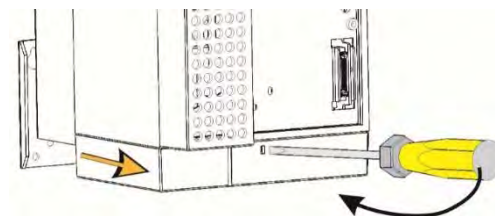
1. Skruva loss fästelementen för att ta bort dem. Endast på ram K måste den främre panelen tas av först.

Ta bort den nedre kåpan

Den nedre kåpan måste tas bort innan man ansluter några AC-matningskablar till växelriktaren eller motorutmatningskablar från den:

Ramarna D–J:

1. Sätt in en skruvmejsel i spåret.
2. Tryck åt vänster för att lossa haken.
3. Skjut upp skyddet för att ta av det.



Ramarna K–N:

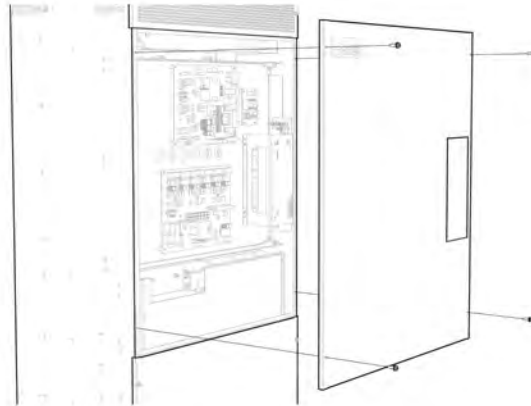
1. Skruva loss fästelementen för att ta bort dem.

Instruktioner för borttagning av den främre kåpan (endast ramarna K–N)

VARNING Isolera försörjningen och säkerställ att restenergi laddas ur innan du tar bort den främre kåpan.

Växleriktarens främre kåpa måste tas av för att man ska komma åt fläktens kretskort för spänningsval. Installatören ska kontrollera att fläkten är inställd på att drivas med rätt försörjningsspänning.

Genom att ta bort denna kåpa kommer man även åt nätfiltrets kretskort, och framför allt Y-skyddets och varistorns säkringar.



Val av fläktens försörjningsspänning (endast ramarna K–N)

När den främre kåpan är borttagen är det viktigt att vallänken för fläktens försörjningsspänning är korrekt placerad enligt trefasspänningen eller likspänningen till drivningen.

När drivningen matas med likspänning behövs en extern spänning på 220 V AC för att driva de primära kylkanalsfläktarna. Den måste anslutas till kopplingsplint TB1.

Drivningens matningsspänning	Länkplacering
380–420 V AC	PLG4
440–480 V AC	PLG5
510–650 V DC	PLG6

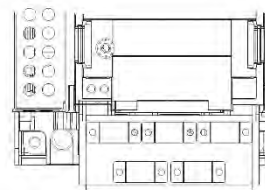
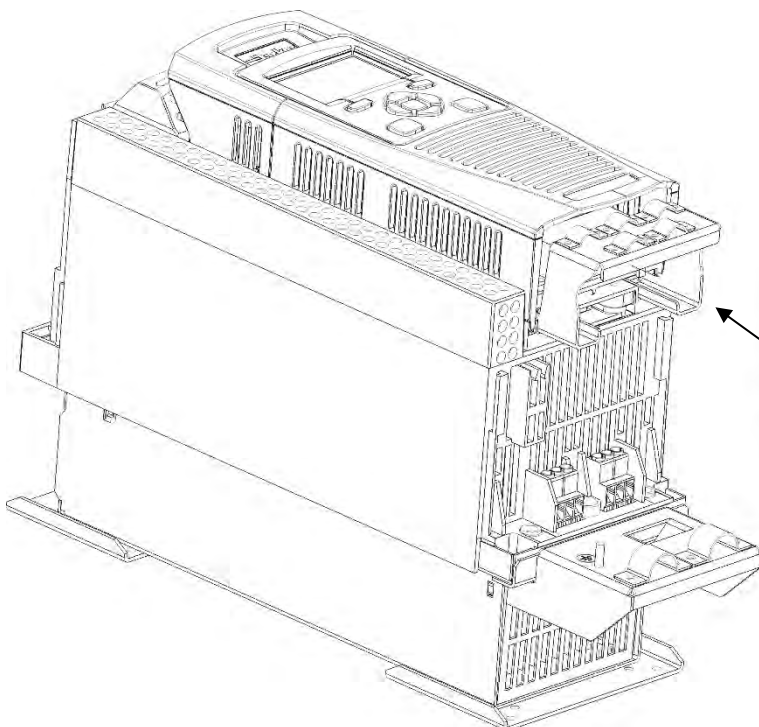
Kabelfäste för kontroll- och huvudkabel (endast ramarna D–J)

När den nedre kåpan är borta kan du, vid behov, installera kabelfästena.

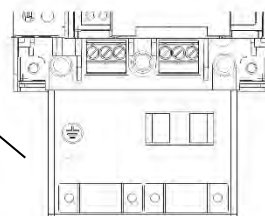
Kabelfästena är standard hos C2-filtrerade produkter eftersom de används för att placera ringkärnorna för utmatning. De kan erhållas från Parker under följande artikelnr:

AC30V ram E på bild

Storlek	Kabelfästsatsens artikelnummer	
	Panelmontering	Genom panelen
D	LA501935U001	LA503117U001
E	LA501935U002	LA503117U002
F	LA501935U003	LA503117U003
G	LA501935U004	LA503117U004
H	LA501935U005	LA503117U005
J	LA501935U006	Ej tillgängligt
AC30D	LA501935U007	



Kabelfäste för kontrollkabel



Kabelfäste för huvudkabel

Anslutningar med strömkablage

VARNING Isolera och säkerställ att restenergi är urladdad innan du utför ledningsdragningen.

Rätt åtdragningsmoment och rekommenderade ledningsstorlekar anges i HA503711U001/U002 "Kapitel 4: Installation – Nätaggregat".

Dragningsdetaljer – AC-matning, 710 stackar

Anslut de inkommande trefasmatningskablar till anslutningarna L1, L2 & L3 vardera. Fasrotationen är inte kritisk. Anslut trefasmotorns kablar till anslutningarna U, V & W på samma sätt. Det är viktigt med fasrotation för att säkerställa jämnhet mellan växelriktarmotorns styrriktning och motoraxelns rotation. Anslut både matningsjorden och motorjorden till växelriktarens jordanslutningar.



Om ringkärnorna för utmatning krävs när en C2-filterprodukt installeras:

1. Placera ringkärnan för utmatning i utskärningen på kabelfästet.
2. Dra de tre motorförsörjningsledningarna genom mitten av ringkärnan när du ansluter till växelriktarterminalerna U, V & W.

Obs! Jordanslutningen leds **inte** genom mitten av ringkärnan.

3. Kabelklämmorna som medföljer kabelfästet ska användas för att klämma fast den synliga kabelskärningen, med en skärningsavslutningspunkt på 360°.

Ledningsdetaljer – DC-länkmattning, 740 stackar

Anslut likströmsmatningskablar till anslutningarna DC+ & DC-. Anslutningarna får inte kastas om.



Anslut trefasmotorns kablar till anslutningarna U, V & W. Det är viktigt med fasrotation för att säkerställa jämnhet mellan växelriktarens styrriktning och motoraxelns rotation.

När man drar en växelriktare som ska användas som AFE används anslutningarna U, V & W för att ansluta till trefasförsörjningen.

Jorda både växelriktaren och motorjorden (eller inkommande matning vid AFE-tillämpning) till växelriktarens jordanslutningar.



Dynamiska bromsmotstånd

VARNING Isolera och säkerställ att restenergi är urladdad innan du utför ledningsdragningen.

Dynamiska bromsmotstånd brukar användas när en tillämpning kräver att regenererad effekt från motorn avleds.

AC30-ramarna D–K har alla en intern bromsokopplare som standard, som anslutas till ett externt dynamiskt bromsmotstånd.

Information om ledningsdragning

Om ett dynamiskt bromsmotstånd krävs för en växelriktningstillämpning ansluter du det längs anslutningarna B+ & DB (ramarna D–J) eller längs anslutningarna DC+ & DB (endast ram K).



VARNING

Koppla inte in externa strömkällor (elnätet eller annat) till bromsanslutningarna: DB+, DB. Det kan leda till att enheten och installationen skadas och även utsätta personal för risk.

Bortkoppling av internt filter

VARNING

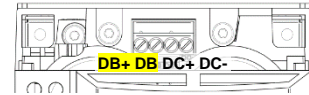


Kontrollera att allt kablage är elektriskt isolerat och inte kan göras strömförande.

Rör inte filteranslutningar eller -kablage förrän tidigast tre minuter innan växelströms- eller likströmsförsörjningen har kopplats ur.

Instruktioner om hur du kopplar ur EMC-filtret finns i HA503711U001/U002 "Kapitel 4: Installation – Nätaggregat":

Ramarna D–G



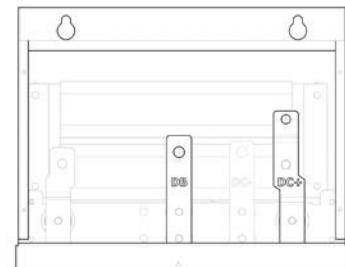
Ram H



Ram J



Ram K



Effektklassningar

Se HA503711U001/U002/U003 "Bilaga D: AC30-seriens produktkoder" för att se produktkoden.

Orderkod	Klassningar vid normal belastning				Klassningar vid hög belastning				Ram
	400 V AC		460 V AC		400 V AC		460 V AC		
	kW	O/P ström Arms	hp	O/P ström Arms	kW	O/P ström Arms	hp	O/P ström Arms	
380–480 V AC (± 10 %) trefasförsörjning/510–650 V DC-försörjning									
710-4D0004-B2-0S-0000	1,1	3,5	1,5	3	0,75	2,5	1	2,1	D
710-4D0006-B2-0S-0000	2,2	5,5	3	4,8	1,5	4,5	2	3,4	D
710-4D0010-B2-0S-0000	4	10	5	7,6	3	7,5	-	-	D
710-4D0012-B2-0S-0000	5,5	12	7,5	11	4	10	5	7,6	D
710-4E0016-B2-0S-0000	7,5	16	10	14	5,5	12	7,5	11	E
710-4E0023-B2-0S-0000	11	23	15	21	7,5	16	10	14	E
710-4F0032-B2-0S-0000	15	32	20	27	11	23	15	21	F
710-4F0038-B2-0S-0000	18,5	38	25	36	15	32	20	27	F
710-4F0045-B2-0S-0000	22	45	30	40	18,5	38	25	36	F
710-4G0045-B2-0S-0000	22	45	30	40	18,5	38	25	36	G
710-4G0060-B2-0S-0000	30	60	40	52	22	45	30	40	G
710-4G0073-B2-0S-0000	37	73	50	65	30	60	40	52	G
710-4H0087-B2-0S-0000	45	87	60	77	37	73	50	65	H
710-4H0105-B2-0S-0000	55	105	75	96	45	87	60	77	H
710-4H0145-B2-0S-0000	75	145	100	124	55	105	75	96	H
710-4J0180-B2-0S-0000	90	180	125	156	75	145	100	124	J
710-4J0205-B2-0S-0000	110	205	150	180	90	180	125	156	J
710-4J0260-B2-0S-0000	132	260	200	240	110	205	150	180	J
710-4K0315-B2-0S-0000	160	315	250	302	132	260	200	240	K
710-4K0380-B2-0S-0000	200	380	300	361	160	315	250	302	K
710-4K0440-B2-0S-0000	250	440	350	414	200	380	300	361	K
710-4L0530-N2-0S-0000	280	530	450	520	250	480	400	480	L
710-4L0590-N2-0S-0000	315	590	500	590	280	530	450	520	L
710-4M0650-N2-0S-0000	355	650	550	650	315	590	500	590	M
710-4M0700-N2-0S-0000	400	700	600	680	355	650	550	640	M
710-4N0790-N2-0S-0000	450	790	650	770	400	700	600	700	N

1	Enhetsfamilj
1	AC-linjematning, IP20
4	DC-länkmätning, IP20
2	EMC-filtret
N	Inget filter monterat
E	Kategori C3-filter monterat
F	Kategori C2-filter monterat

Starta enheten

- Läs avsnittet om säkerhet i början av Snabbstarten.
- Se till att alla lokala elektriska normer följs.
- Kontrollera att utrustningen inte är skadad.
- Sök efter lösa kabeländar, filspån, rester från borrning etc. i enheten och systemet.
- Kontrollera systemets alla ledningskretsar: ström, kontroll, motor och jord.
- Se till att inte motorrotation i någon riktning kan orsaka skador på utrustning eller personer. Koppla bort belastningen från motoraxeln, om möjligt.
- Kontrollera anslutningarna till motortermistorn och bromsmotståndet. Kontrollera att alla externa startsignaler är frånslagna. Kontrollera att alla externa hastighetsinställningar står på noll.
- Kontrollera att ingen arbetar med någon annan del av systemet som påverkas av starten.
- Kontrollera att annan utrustning inte påverkas negativt av starten.
- Kontrollera att motor-/statoranslutningarna är korrekt gjorda för kopplingar av typen stjärna eller delta, beroende på vad som krävs för enhetens utgående spänning.
- Kontrollera att STO-funktionen är avstängd. Se sida 1–4 i den här snabbstartbroschyren.
- FARA: Vissa motorer lämpar sig inte för användning med STO. Se HA503711U001/U002 "Kapitel 8.

Om du har kontrollerat alla anslutningar är det dags att **SLÅ PÅ enheten.**

Inställningar av enheten

Se "Komma igång" på nästa sida och se HA503711U003 "Kapitel 6: Installationsguide" och "Bilaga C: Parameterreferens" för information om tangentbordets menyer och parametrar.

Motordata

Innan du konfigurerar enheten behöver du en del motorinformation. Du hittar den på motorns märkplåt. Den information som du behöver hittar du nedan:

Induktionsmotor:

Märkspänning
Märkfrekvens
Märkvarvtal-RPM
Ström vid full belastning
Ström utan belastning (magnetiseringsström)
Anslutning (stjärna eller delta)

PMAC-motor:

PMAC Max. hastighet (RPM)
PMAC Max. ström (A)
PMAC Märkström (A)
PMAC Märkmoment (Nm)
PMAC Motorpoler
PMAC Motelektromotorisk kraftkonstant K (V)
PMAC Basspänning (V)
PMAC Lindningsmotstånd (Ohm)
PMAC Lindningsinduktans (mH)
PMAC Momentkonstant KT (Nm/A)
PMAC Termisk tidskonstant (s)
PMAC Motorns tröghet (kgm²)


Komma igång – installationsguide för tangentbordet

Tangentbordet kan monteras externt – se HA503711U001/U002 "Kapitel 5: Installation – Styrmodul" för mer information.

Syftet med installationsguiden

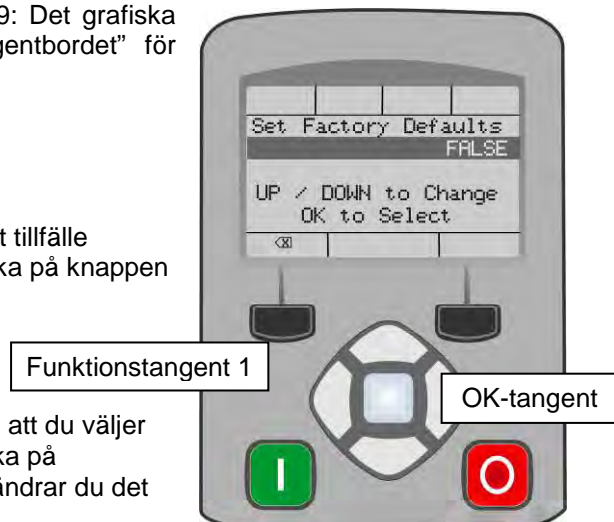
Syftet med installationsguiden är att konfigurera enheten på ett enkelt och tydligt sätt. Gör dig först förtrogen med antingen HA503711U001/U002 "Kapitel 9: Det grafiska tangentbordet" eller HA503711U003 "Kapitel 4: Det grafiska tangentbordet" för knapparnas funktioner.

Starta installationsguiden

Installationsguiden automatiskt anropas när enheten återställs till fabriksinställningarna. Installationsguiden kan återopas vid något annat tillfälle genom att gå till välkomstkärmen vid "toppen" i menyträdet för att trycka på knappen , programknapp 1.

Köra installationsguiden

När du kör installationsguiden och trycker på tangenten OK betyder det att du väljer det visade värdet. Du förflyttas då vidare till nästa steg. Genom att trycka på **Funktionstangent 1** flyttar du bakåt. Med tangenterna UPP och NED ändrar du det valda värdet.



Delar av installationsguiden

När du har valt önskad vy nivå och språk, är nästa alternativ presenterade "Set fabriksinställningar". Om du ändrar den här parametern till TRUE (SANN) och sedan trycker på OK, återställs alla parametervärden till standardvärdena i maskinvarukonfigurationen av AC30. Om du i stället låter värdet vara FALSE (FALSK) startar guiden med befintliga parametervärden. Varje gång du accepterar ett val utan ändring genom att trycka på OK förblir just den inställningen oförändrad.

Resten av installationsguiden består av flera delar. Varje del motsvarar en komponent i enheten, till exempel följande:

- Applikationsmakro
- IO alternativ (inklusive givare)
- Motordata
- Motorstyrning
- Inställningar för analoga in- och utgångar
- Fältbussalternativ
- Inbyggt Ethernet
- Autojustering (Autotune)

De delar som inte behöver användas kan du hoppa över.

Vilken som är den förvalda inställningen av parametrarna beror på tidigare valda alternativ och enhetens fysiska konfiguration. Alla data som anges sparas automatiskt.

Avsluta installationen

Så snart installationsguiden är klar stängs den automatiskt av. När du startar enheten igen kommer installationsguiden inte att köras. (Om du vill köra installationsguiden igen använder du anvisningarna under "Starta installationsguiden").

Fullständig information finns i HA503711U003 "Kapitel 6: Installationsguide".

Ethernet-kommunikation

Ansluta och koppla bort Ethernet-kabeln.

Se HA503711U003 "Kapitel 8: Ethernet" för denna information.

INSTALLATIONSKRAV

Heltäckande information om produktens efterlevnad finns i HA503711U001/U002 "Bilaga A: Efterlevnad".

Varning! – Om det finns en konflikt mellan EMC- och säkerhetskraven ska den personliga säkerheten alltid prioriteras.

För att kunna använda den här utrustningen krävs de detaljerade anvisningar om installation och drift som finns i produktmanualen..

Försiktighet!: Det här är en produkt som ingår i klassen varor med begränsad försäljningsdistribution enligt IEC 61800-3. Den klassas som "professionell utrustning" enligt definitionen i EN61000-3-2 för ramar storlek D.

Tillstånd från behörig myndighet ska inhämtas innan utrustningen ansluts till lågspänningsförsörjning.

Ramstorlekar E till N övertoner överensstämmer med gränsvärdena i IEC6100-3-12:2011 (tabell 4).

I en bostadsmiljö kan produkten orsaka radiostörningar; i så fall måste särskilda åtgärder vidtas.

Utrustningen innehåller delar som är känsliga för elektrostatisk urladdning. Använd antistatiska skyddsåtgärder när produkten hanteras, installeras och servas.

EMC-emissioner

Strålningsemissionerna uppfyller SS-EN 61800-3-kategorierna C1, C2 och C3 vid installation enligt anvisningarna i HA503711U001/U002 "Kapitel 4: Installation – Nätaggregat".

Ledningsemissionerna uppfyller SS-EN 61800-3-kategorierna C3 och C2 utan externt filter och kategori C1 med specificerat externt filter.

Immuniteten uppfyller kraven i SS-EN 61800-3 för utrustning avsedd för den andra miljön.

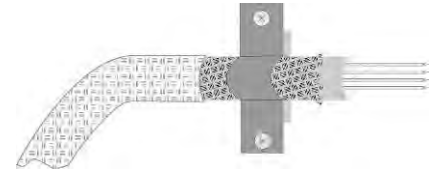
EMC-anslutningar

För att uppfylla EMC-kraven ska "0 V/signal jord" jordas separat. Om flera enheter används i ett system ska dessa terminaler anslutas tillsammans till en enda jordanslutning.

Kontroll- och signalanslutningar ska göras med skärmade kablar, där avskärmningen ansluts bara i VSD-änden. Vid fortsatta problem med högfrekvent brus kan dock avskärmningen i den andra änden jordas med en kondensator på 0,1 μ F.

Obs! Anslut avskärmningen för kontroll- och signalanslutningarna (VSD-änden) till skyddsjordspunkten för VSD.

Motorkablarna ska ha vara fästa i 360° för att säkerställa att anslutningarna får en låg impedans; se figuren på här intill ;



Planera kabeldragningen

Använd kortast möjliga motorkablar.

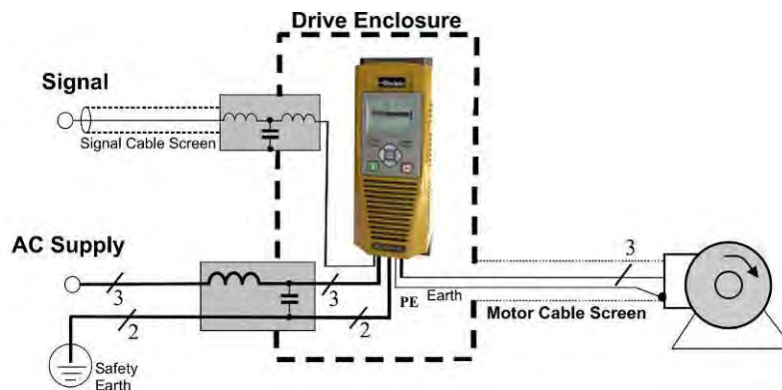
Separera elektriskt brusiga och känsliga kablar. Om detta inte är möjligt ska avståndet mellan parallella kablar vara minst 25 cm i dragningar som överstiger 10 meter; öka sedan avståndet proportionerligt.

Känsliga kablar ska dras vinkelrätt över kablar med brus.

Känsliga kablar får aldrig dras nära kretsarna för motorn, likströmskopplingen eller bromschopporn.

Kablarna för strömförsörjningen, likströmskopplingen eller motorn får inte dras tillsammans med signal-/kontrollkablar och återkopplingskablar även om de är skärmade.

Se till att ut- och ingående kablar för EMC-filter dras separat och inte korsas över filtret.



Exempel AC Fed Inverter visas

Chapter 8 Dimensions for Panel Mount Installations

For dimensions of Through Panel Mount Installations (Frames D – J only), see HA503711U001 'Chapter 4: Installation – Power Stack'.

Abmessungen für Durchsteckmontage (nur Baugröße D - J) siehe HA503711U001 'Kapitel 4: Einbau - Leistungsteil'.

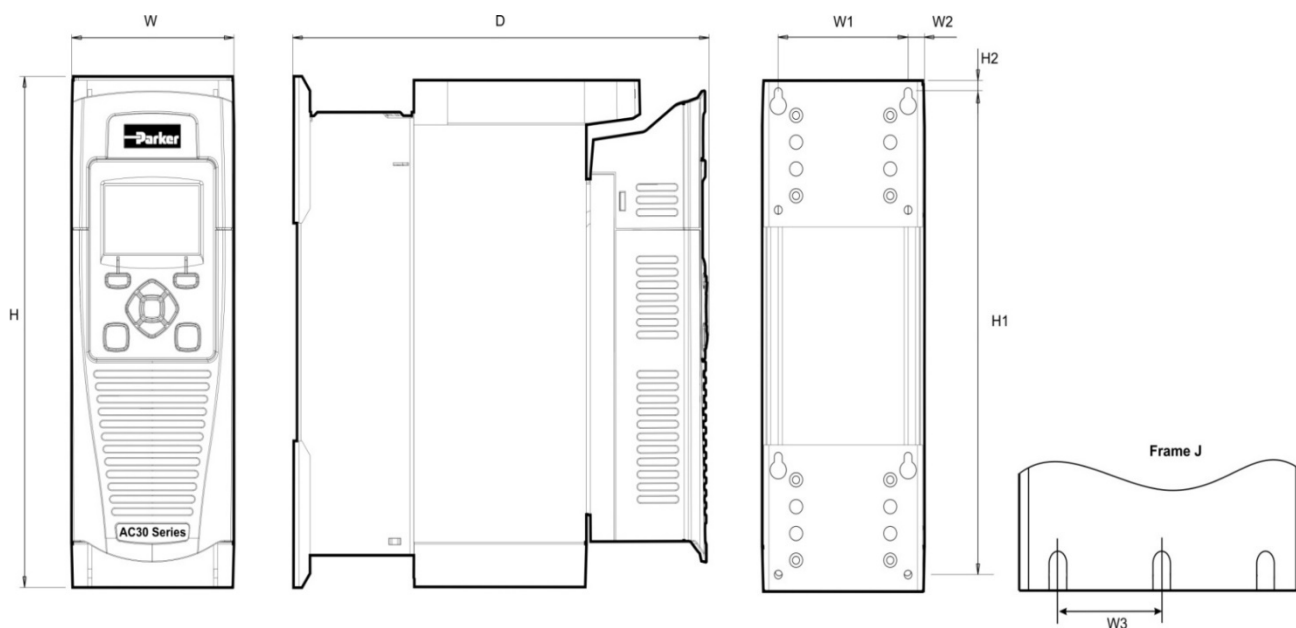
Pour obtenir les dimensions du montage encastré sur panneau (châssis D - J uniquement), consultez le document HA503711U001, chapitre 4 : Installation – Power Stack (Installation – Pile de puissance).

Per le dimensioni delle installazioni su pannello passante (solo per telai d - J), consultare il manuale di HA503711U001, "Capitolo 4: Installazione - Stack di potenza".

Aby uzyskać informacje na temat wymiarów do montażu przelotowego (dotyczy tylko ram D–J), patrz dokument HA503711U001 „Rozdział 4: Montaż — moduł zasilania”.

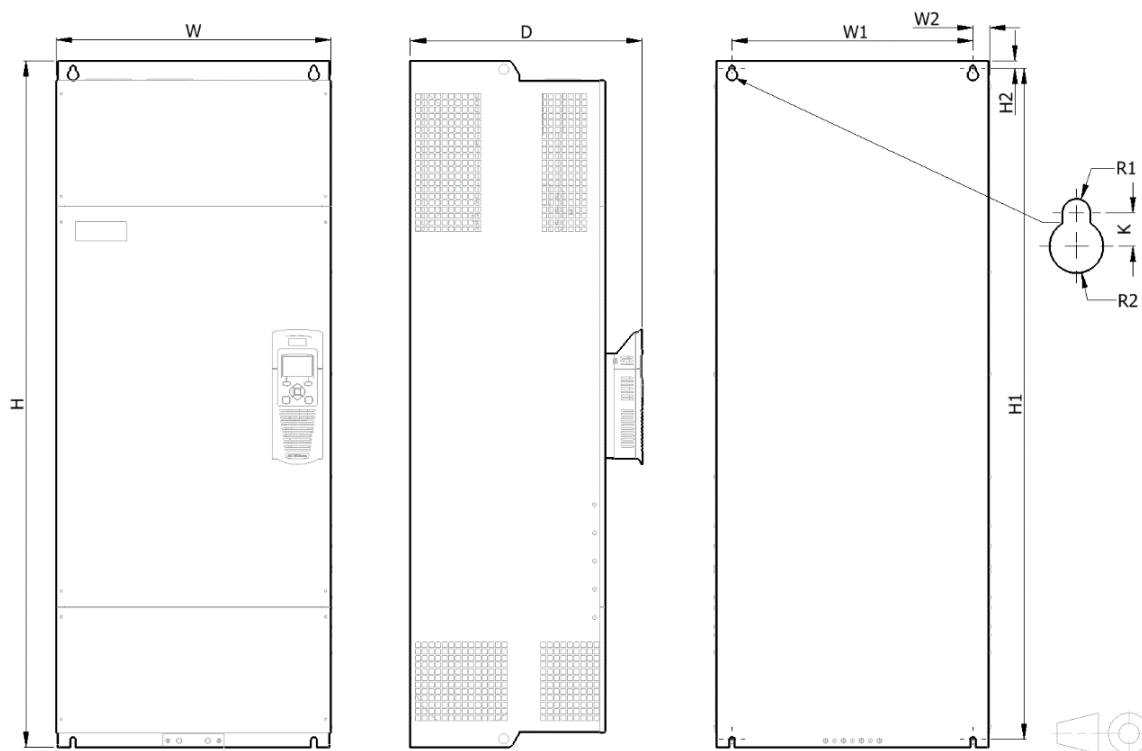
Para conocer las dimensiones de instalación del montaje en panel interior (solo bastidores D – J), consulte el manual HA503711U001, "Capítulo 4: Instalación - Pila de alimentación".

Måtten för installationer genom panel (endast ramarna D–J) finns i HA503711U001 "Kapitel 4: Installation – Nätaggregat”.



Frame Size	Max. Weight kg (lbs)	H (AC30V or P)	H (AC30D)	H1	H2	W	W1	W2	W3	D (AC30V or P)	D (AC30D)	Slot	Fixing
D	4.5 (10)	286.0 (11.26)	298.0 (11.73)	270.0 (10.6)	6.5 (0.25)	100.0 (3.93)	80.0 (3.15)	10.0 (0.39)		255.0 (10.0)	273.0 (10.75)	4.5 (0.18)	M4
E	6.8 (15)	333.0 (13.11)	333.0 (13.11)	320.0 (12.6)	6.5 (0.25)	125.0 (4.92)	100.0 (3.93)	12.5 (0.49)		255.0 (10.0)	273.0 (10.75)	4.5 (0.18)	M4
F	10.0 (22)	383.0 (15.07)	383.0 (15.07)	370.0 (14.5)	6.5 (0.25)	150.0 (5.90)	125.0 (4.92)	12.5 (0.49)		255.0 (10.0)	273.0 (10.75)	4.5 (0.18)	M4
G	22.3 (49.2)	480.0 (18.90)	480.0 (18.90)	465.0 (18.31)	7.25 (0.29)	220.0 (8.66)	190.0 (7.48)	13.0 (0.51)		287.0 (11.30)	305.0 (12.01)	5.5 (0.22)	M5
H	45.5 (100.3)	670.0 (26.38)	670.0 (26.38)	650.0 (25.59)	10.0 (0.39)	260.0(10.24)	220.0 (8.66)	20.0 (0.79)		316.0 (12.44)	334.0 (13.15)	6.8 (0.27)	M6
J	80.5 (177.5)	800.0 (31.50)	800.0 (31.50)	780.0 (30.71)	10.0 (0.39)	330.0 (12.99)	285.0 (11.22)	23.0 (0.91)	142.5 (5.61)	374.0 (14.72)	392.0 (15.43)	9.0 (0.35)	M8

All dimensions are in millimetres (inches), Alle Maße in Millimetern (Zoll), Toutes les dimensions sont exprimées en millimètres (pouces), Tutte le dimensioni sono in millimetri (pollici), Wszystkie wymiary podane w milimetrach (calach), Todas las medidas están en milímetros (pulgadas) Alla mått i millimeter (tum)



Frame Size Rahmen, Châssis, Modello, Obudowa, Marco, Storlek	Max. Weight kg (lbs) <i>Maximalgewicht, Poids Maximum, Peso Massimo, Maksymalna Waga, Peso Máximo, Max vikt</i>	H	H1	H2	W	W1	W2	D (AC30V or P)	D (AC30D)	Slot			Fixing
										K	R1	R2	
K	125 (275.58)	1310.0 (51.57)	1282.0 (50.47)	15.0 (0.59)	400.0 (15.75)	280.0 (11.02)	60.0 (2.36)	459.8 (18.10)	477.8 (18.81)	13.0 (0.51)	R5.5 (0.22)	R10.5 (0.41)	M10
L	182 (401.24)	1340.0 (52.76)	1310.0 (51.57)	15.0 (0.59)	535.0 (21.06)	470.0 (18.50)	32.5 (1.28)	452.8 (17.83)	470.8 (18.54)	13.0 (0.51)	R5.5 (0.22)	R10.5 (0.41)	M10
M	240 (529.11)	1463.0 (57.60)	1448.0 (57.01)	15.0 (0.59)	604.0 (23.78)	545.0 (21.46)	29.5 (1.16)	451.8 (17.79)	469.8 (18.49)	17.0 (0.67)	R5.5 (0.22)	R10.5 (0.41)	M10
N	266 (586.43)	1593.0 (62.72)	1563.0 (61.54)	15.0 (0.59)	604.0 (23.78)	545.0 (21.46)	29.5 (1.16)	451.8 (17.79)	469.8 (18.49)	17.0 (0.67)	R5.5 (0.22)	R10.5 (0.41)	M10

All dimensions are in millimetres (inches), Alle Maße in Millimetern (Zoll), Toutes les dimensions sont exprimées en millimètres (pouces), Tutte le dimensioni sono in millimetri (pollici), Wszystkie wymiary podane w milimetrach (calach), Todas las medidas están en milímetros (pulgadas) Alla mått i millimeter (tum)

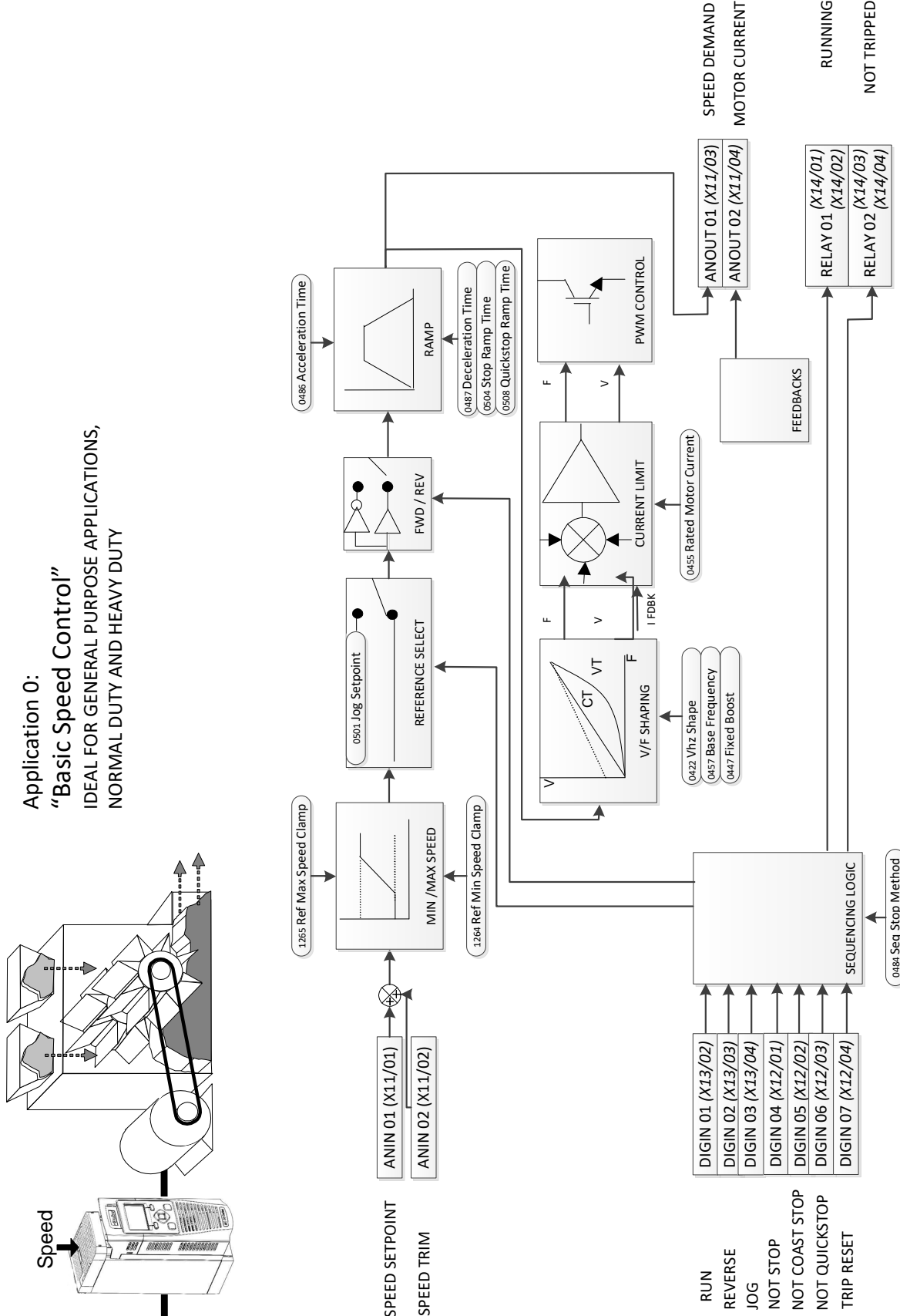
Chapter 9 Applications

Application 0: Basic Speed Control (Default)

Please refer to the main manual for further wiring Applications

Anwendung 0: einfache Drehzahlregelung (Standard)
 Applicazione 0: comando della velocità di base (predefinita)
 Aplicación 0: control de velocidad básico (predeterminado)

Application 0 : Contrôle de vitesse de base (par défaut)
 Zastosowanie 0: Podstawowa regulacja prędkości (domyślna)
 Ansökan 0: Grundläggande varvtalsstyrning (standard)



Parker Worldwide

Europe, Middle East, Africa

AE – United Arab Emirates, Dubai

Tel: +971 4 8127100

parker.me@parker.com

AT – Austria, Wiener Neustadt

Tel: +43 (0)2622 23501-0

parker.austria@parker.com

AT – Eastern Europe, Wiener Neustadt

Tel: +43 (0)2622 23501 900

parker.easteurope@parker.com

AZ – Azerbaijan, Baku

Tel: +994 50 2233 458

parker.azerbaijan@parker.com

BE/LU – Belgium, Nivelles

Tel: +32 (0)67 280 900

parker.belgium@parker.com

BG – Bulgaria, Sofia

Tel: +359 2 980 1344

parker.bulgaria@parker.com

BY – Belarus, Minsk

Tel: +48 (0)22 573 24 00

parker.poland@parker.com

CH – Switzerland, Etoy

Tel: +41 (0)21 821 87 00

parker.switzerland@parker.com

CZ – Czech Republic, Klecany

Tel: +420 284 083 111

parker.czechrepublic@parker.com

DE – Germany, Kaarst

Tel: +49 (0)2131 4016 0

parker.germany@parker.com

DK – Denmark, Ballerup

Tel: +45 43 56 04 00

parker.denmark@parker.com

ES – Spain, Madrid

Tel: +34 902 330 001

parker.spain@parker.com

FI – Finland, Vantaa

Tel: +358 (0)20 753 2500

parker.finland@parker.com

FR – France, Contamine s/Arve

Tel: +33 (0)4 50 25 80 25

parker.france@parker.com

GR – Greece, Athens

Tel: +30 210 933 6450

parker.greece@parker.com

HU – Hungary, Budaörs

Tel: +36 23 885 470

parker.hungary@parker.com

IE – Ireland, Dublin

Tel: +353 (0)1 466 6370

parker.ireland@parker.com

IL – Israel

Tel: +39 02 45 19 21

parker.israel@parker.com

IT – Italy, Corsico (MI)

Tel: +39 02 45 19 21

parker.italy@parker.com

KZ – Kazakhstan, Almaty

Tel: +7 7273 561 000

parker.easteurope@parker.com

NL – The Netherlands, Oldenzaal

Tel: +31 (0)541 585 000

parker.nl@parker.com

NO – Norway, Asker

Tel: +47 66 75 34 00

parker.norway@parker.com

PL – Poland, Warsaw

Tel: +48 (0)22 573 24 00

parker.poland@parker.com

PT – Portugal

Tel: +351 22 999 7360

parker.portugal@parker.com

RO – Romania, Bucharest

Tel: +40 21 252 1382

parker.romania@parker.com

RU – Russia, Moscow

Tel: +7 495 645-2156

parker.russia@parker.com

SE – Sweden, Spånga

Tel: +46 (0)8 59 79 50 00

parker.sweden@parker.com

SK – Slovakia, Banská Bystrica

Tel: +421 484 162 252

parker.slovakia@parker.com

SL – Slovenia, Novo Mesto

Tel: +386 7 337 6650

parker.slovenia@parker.com

TR – Turkey, Istanbul

Tel: +90 216 4997081

parker.turkey@parker.com

UA – Ukraine, Kiev

Tel: +48 (0)22 573 24 00

parker.poland@parker.com

UK – United Kingdom, Warwick

Tel: +44 (0)1926 317 878

parker.uk@parker.com

ZA – South Africa, Kempton Park

Tel: +27 (0)11 961 0700

parker.southafrica@parker.com

North America

CA – Canada, Milton, Ontario

Tel: +1 905 693 3000

US – USA, Cleveland

Tel: +1 216 896 3000

Asia Pacific

AU – Australia, Castle Hill

Tel: +61 (0)2-9634 7777

CN – China, Shanghai

Tel: +86 21 2899 5000

HK – Hong Kong

Tel: +852 2428 8008

IN – India, Mumbai

Tel: +91 22 6513 7081-85

JP – Japan, Tokyo

Tel: +81 (0)3 6408 3901

KR – South Korea, Seoul

Tel: +82 2 559 0400

MY – Malaysia, Shah Alam

Tel: +60 3 7849 0800

NZ – New Zealand, Mt Wellington

Tel: +64 9 574 1744

SG – Singapore

Tel: +65 6887 6300

TH – Thailand, Bangkok

Tel: +662 186 7000

TW – Taiwan, Taipei

Tel: +886 2 2298 8987

South America

AR – Argentina, Buenos Aires

Tel: +54 3327 44 4129

BR – Brazil, Sao Jose dos Campos

Tel: +55 800 727 5374

CL – Chile, Santiago

Tel: +56 2 623 1216

MX – Mexico, Toluca

Tel: +52 72 2275 4200

European Product Information Centre

Free phone: 00 800 27 27 5374

(from AT, BE, CH, CZ, DE, DK, EE, ES, FI, FR, IE, IL, IS, IT, LU, MT, NL, NO, PL, PT, RU, SE, SK, UK, ZA)

© 2018 Parker Hannifin Corporation. All rights reserved.

HA501717U101 17 - 2018-03

Parker Hannifin Manufacturing Limited

Automation Group, Electromechanical Drives Business Unit

New Courtwick Lane,

Littlehampton,

West Sussex BN17 7RZ

United Kingdom

Tel: +44 (0) 1903 737000

Fax: +44 (0) 1903 737100

www.parker.com/eme

Stegmaier-Haupt GmbH

Industrieelektronik - Servoantriebstechnik

Untere Röte 5

69231 Rauenberg

Tel.: 06222-61021

Fax: 06222-64988

E-mail: info@stegmaier-haupt.de

Http: // www.stegmaier-haupt.de

